

Sivoia QED™

Installation
Instructions

Roller Shade Fascia and Top/Back Cover

Note: If installing a coupled system,
use In-Line Coupled Roller
Shade Addendum as the
primary installation guide.

 **LUTRON**
shading solutions by **VIMCO**™

Sivoia QED™ | roller shade fascia and top/ back cover

Installation Instructions

Tools Required:

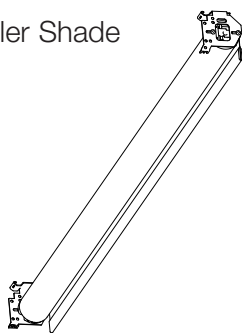
- | | |
|-------------------------|----------------------|
| Tape Measure | 1/4" Hex-Head Driver |
| Wire Cutter/Stripper | Level |
| Pliers | Power Drill |
| #2 Phillips Screwdriver | Drill bits |

Notes:

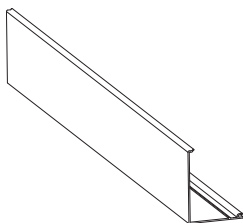
- 1) For In-Line Coupled Shade Systems, begin with Sivoia QED In-Line Coupled Roller Shade Addendum, P/N 045-048. The Addendum will indicate when to use this document.
- 2) Complete wiring and programming information can be found in the Sivoia QED Wire and Programming Guide, P/N 045-038 or at www.lutron.com.
- 3) The Electronic Drive Unit (EDU) will need to be powered to complete installation.

Box Contents:

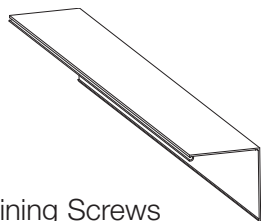
Sivoia QED Roller Shade



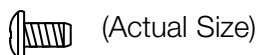
(1) Fascia Top/Back Lower



(1) Top/Back Cover (if applicable)

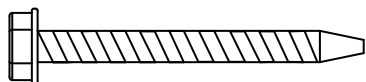


(2) Extra Retaining Screws
(#6x1/4" (#6x6mm) Phillips Head Screws)



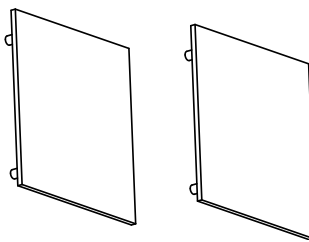
(Actual Size)

(8) Mounting Screws
(#8x1-3/4" (#8x44mm) Hex Head Screws)

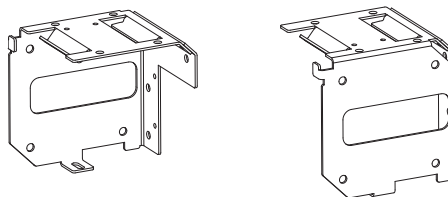


(Actual Size)

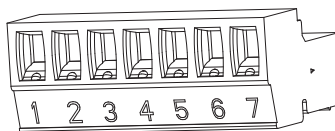
(2) Fascia End Caps (if applicable)



(1) Left and (1) Right Fascia Sub-Brackets



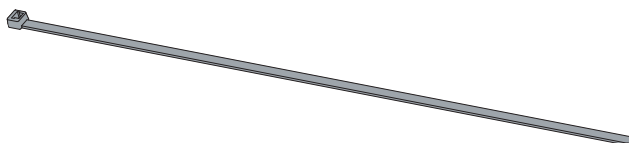
(1) 7 Pin Terminal Block



(2) 4" (102mm) Cable Ties



(2) 7" (178mm) Cable Ties



1 Match Shade to Window

1.1

Confirm system dimensions on package label and window dimensions to verify appropriate window/shade combination.

System width must be less than or equal to fascia width.

Package Label

WO#

LUTRON

PO:

Tag:

Item #:

System Width SW System Height

Wid": Ht":

Item Tag:

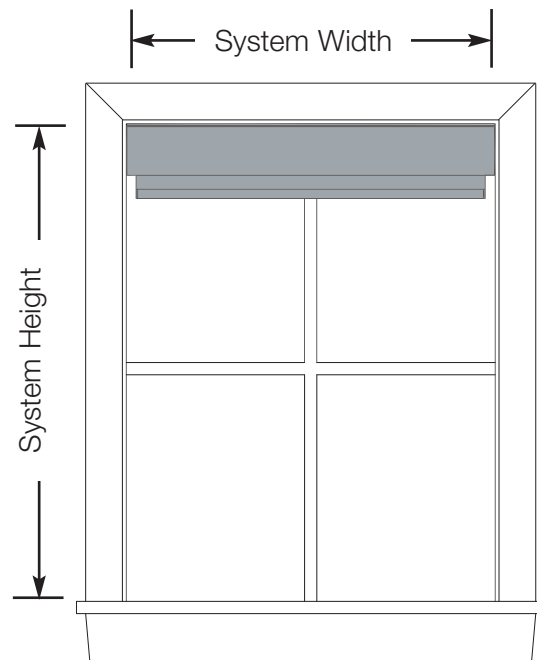


of Boxes:

LUTRON Shading Solutions by VIMCO

800-446-1503

00181117 001 001 03/13/03

Checked by:



2

Pre-drill Top/Back Cover for Cable Run

Note: Step is not necessary if back cover is not being used.

2.1

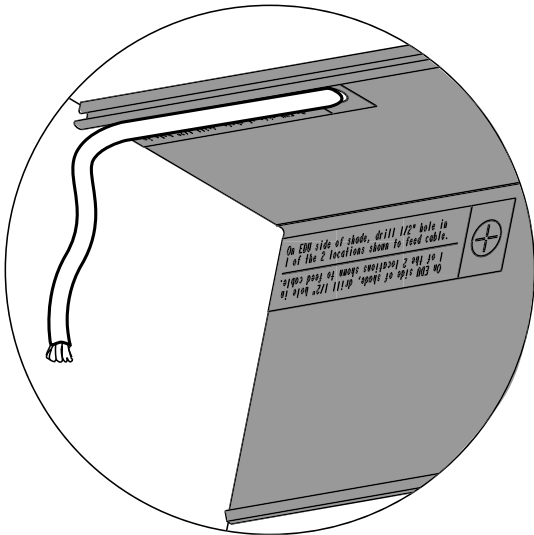
Determine where to drill for cable access into fascia. See options below.

Cable should exit from wall, ceiling or jamb on EDU side of fascia.

Note: Cable should exit from one of these locations whether the Top/Back Cover is used or not.

Note: Leave 12-18" (305-457mm) of cable exposed.

Ceiling



Ceiling

Drill for cable in location indicated by label on Top/Back Cover.

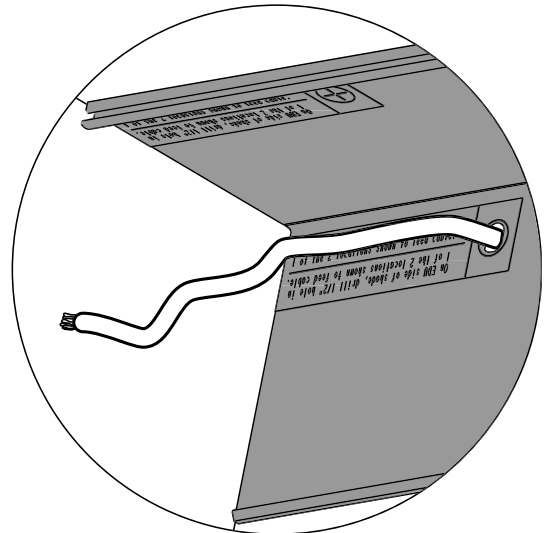
A 5/8" (16mm) hole is recommended.



Caution:

Size of hole will be determined by the diameter of the cable(s) being used.

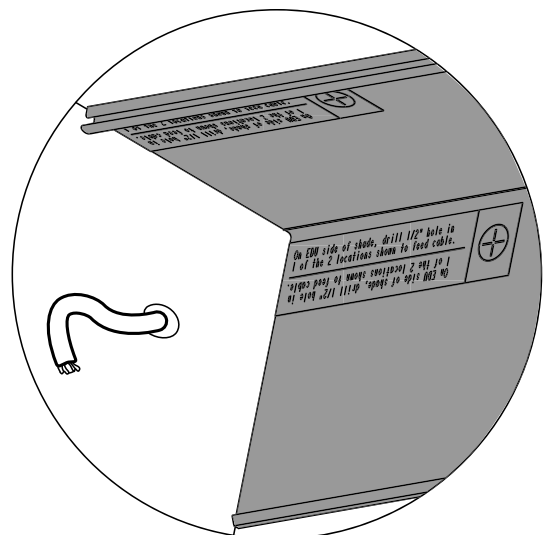
Wall



Wall

Drill for cable in location indicated by label on Top/Back Cover.

Jamb



Jamb

Drill for cable 2" (51mm) from top and 2" (51mm) from the back of the Top/Back Cover.

2

Pre-drill Top/Back Cover for Cable Run Continued



Caution:

When installing top/backcover, pocket, or headrail with a motorized window shade the following steps must be completed.

2.2

Description

When installing top/backcover, pocket, or headrail with a motorized window shade, a grommet must be used to protect the power wire if it is run through the cover. This will prevent the wire insulation from being cut by any sharp edges caused by drilling the top/backcover, pocket, or headrail.

Installation of grommet

1. Insert the enclosed grommet into the hole (be sure it is completely inserted into the hole).
2. Run the power wire through the grommet and finish the installation as per the installation instructions enclosed with your unit.

Figure A

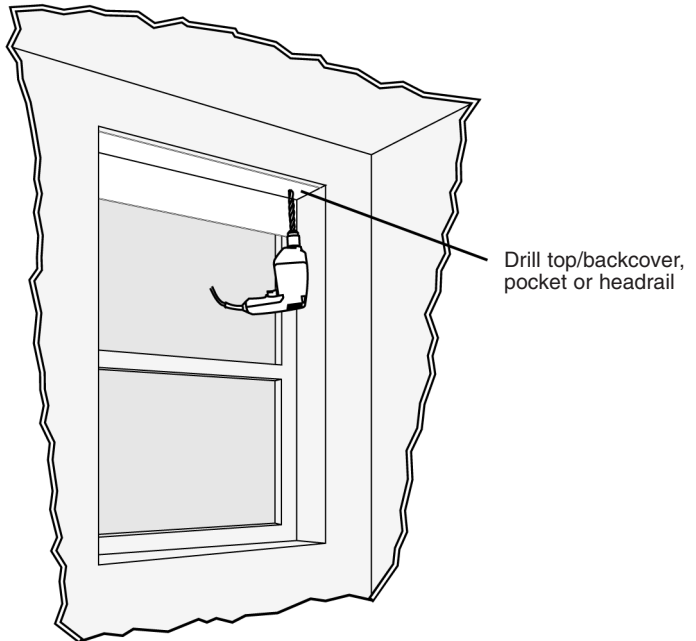
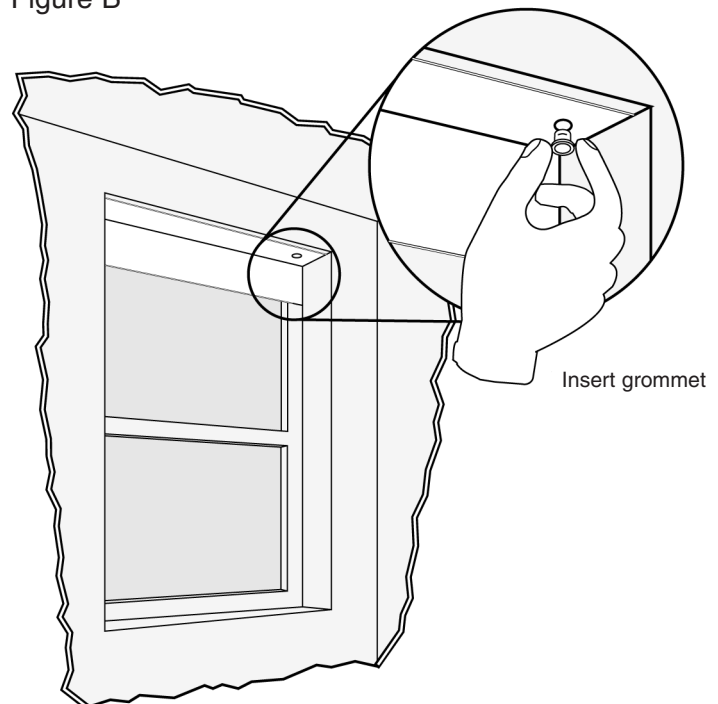


Figure B



3

Mount Top/ Back Cover

3.1

Verify mounting surface is level/plumb before attaching Top/Back Cover.

Note: Top/Back Cover may rub fabric if installed with an improper tilt.

3.2

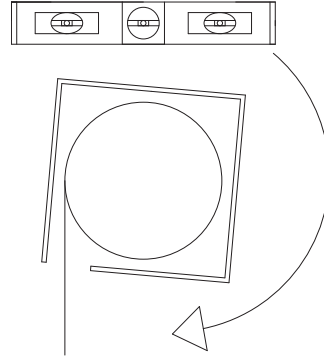
Mount Top/Back Cover using appropriate fasteners. It may be necessary to pre-drill clearance holes in Fascia before mounting.

Note: The Top/Back cover for each shade tube should be mounted to support a weight of at least 300 pounds (136kg). The fasteners provided with the Top/Back cover may not be appropriate for use in all applications.

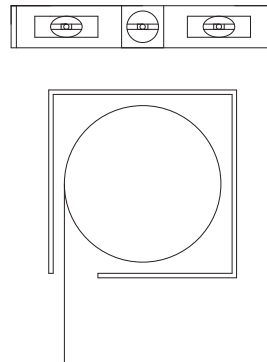
Screws must be at least 5" (127mm) inside fabric width to avoid sub-brackets.

Note: Be sure to pull cable through hole in Top/Back Cover while mounting.

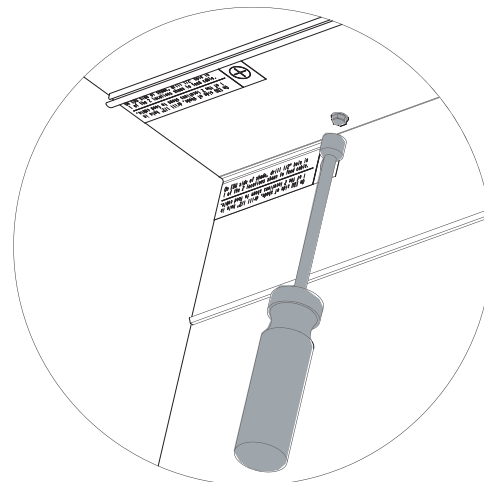
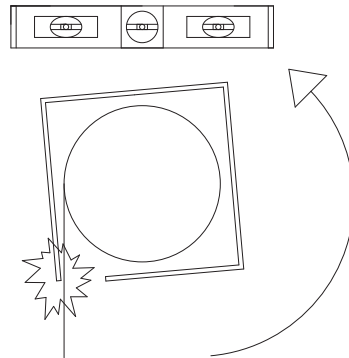
Acceptable



Ideal



Unacceptable



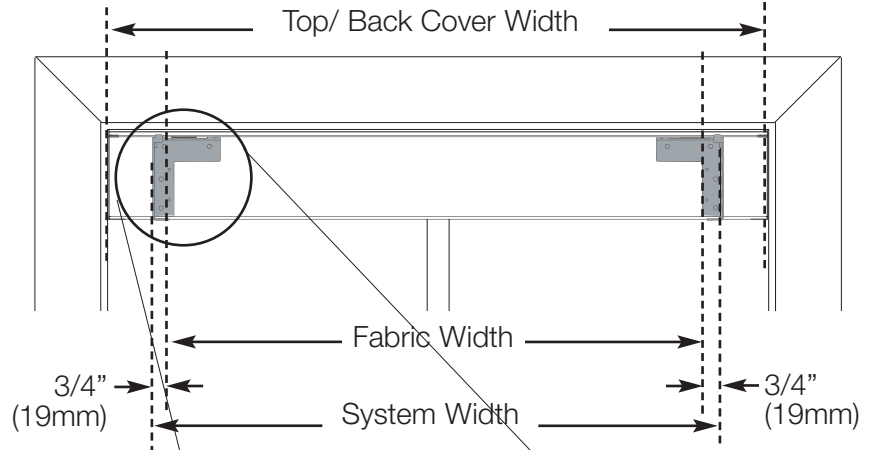
4

Mount Fascia Sub-Brackets

4.1

Use fabric alignment holes to position the sub-bracket right to left. The fabric alignment holes will line up with the outside edge of the shade tube.

Note: Fabric edge may not line up with the edge of the tube.



4.2

Once their position has been established, snap the sub-brackets into the Top/Back Cover.

Note: If Top/Back Cover is not present go to step 4.3

Fabric Alignment Holes

4.3

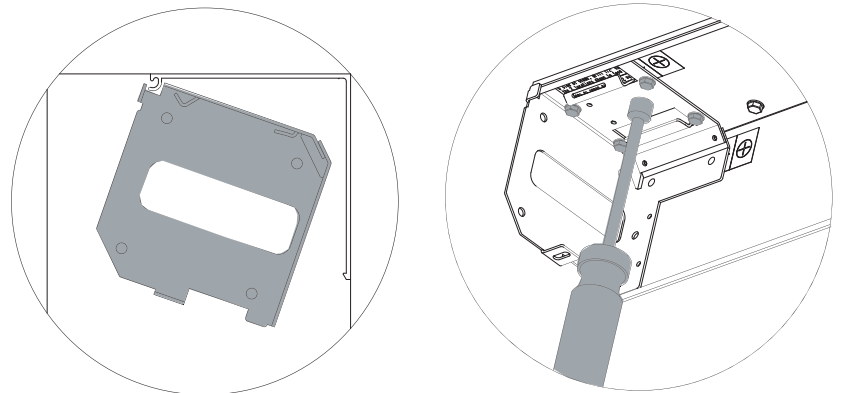
Mount sub-brackets using appropriate fasteners.



WARNING:

The sub-brackets for each shade tube should be mounted to support a weight of at least 300 pounds (136kg). The fasteners provided with the sub-brackets may not be appropriate for use in all applications.

If Fascia Width equals system width, mount outside edge of sub-brackets flush with ends of Top/Back Cover.

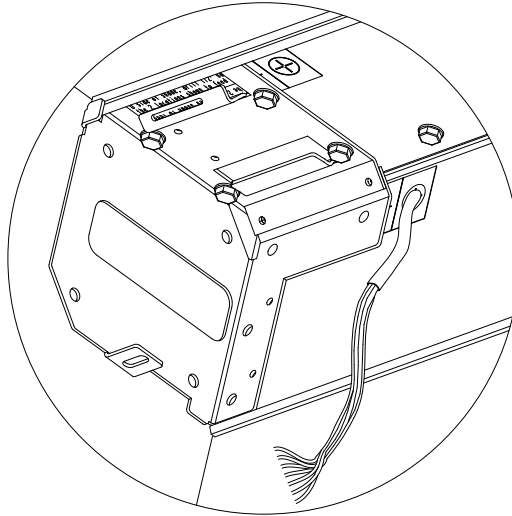


5 Wire 7-pin Terminal Block

5.1

Strip jacket off cable.

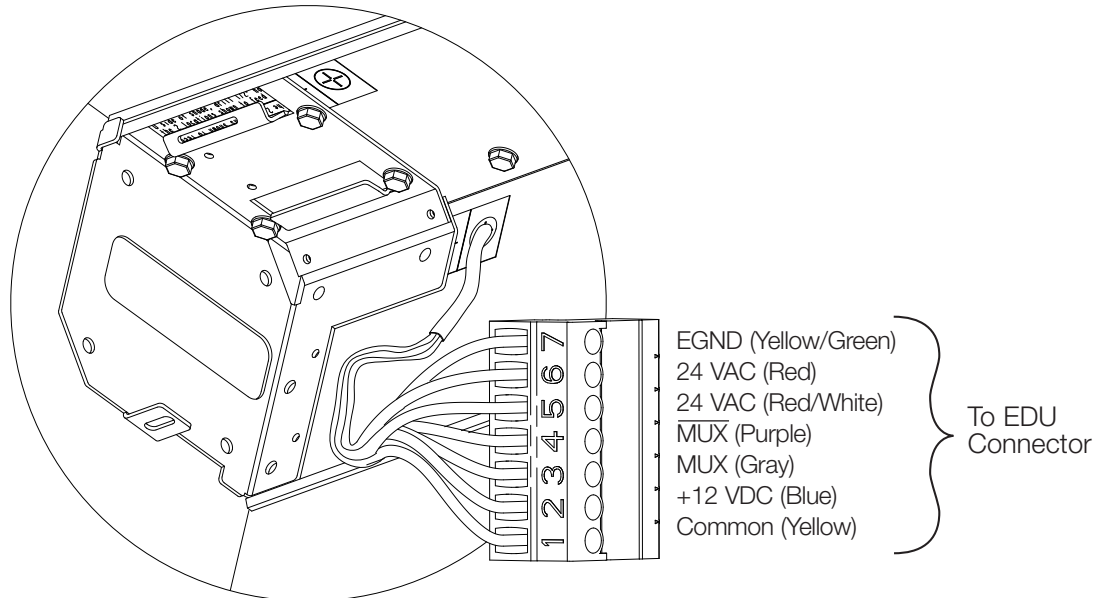
Note: If cable comes from wall or ceiling, leave about 3" (76mm) of cable with jacket



5.2

Wire 7-Pin terminal block (provided) to cable.

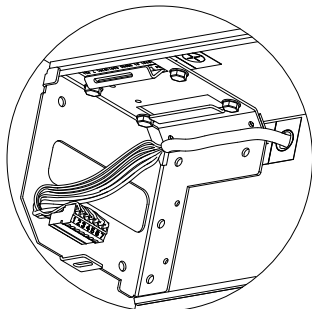
Note: SVQ-CBL-250 shown



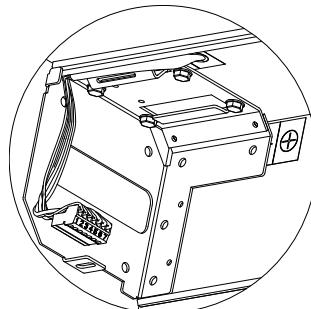
5.3

Route cable as shown.

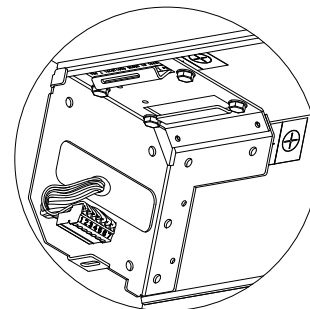
Wall Mount



Ceiling Mount



Jamb Mount



6

Mount Shade to Sub-Brackets



WARNING:

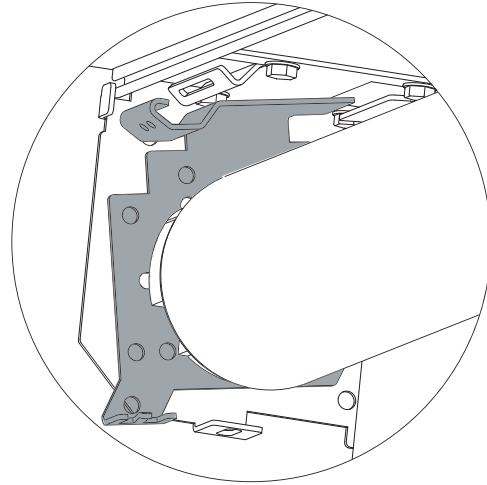
Shades wider than 4ft (1.2m) require two people to install.

Note: If installing a coupled shade system, install the shade with the EDU first.

6.1

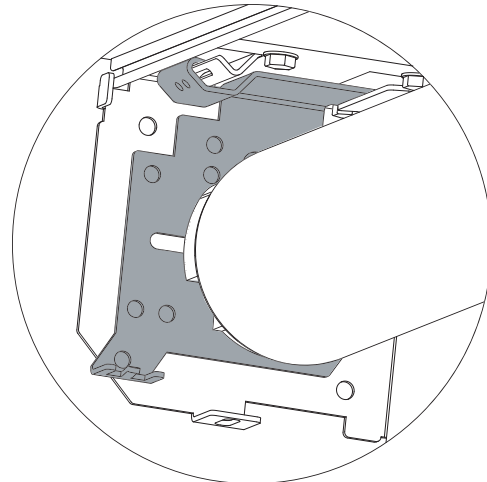
Remove retaining screws from shade brackets.

Note: Leave protective wrapping on shade during installation.



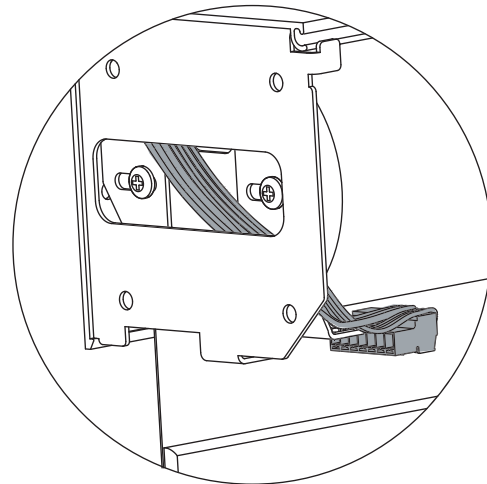
6.2

Slide back of shade bracket into slot of sub-bracket.



6.3

Slide shade back while swinging front of shade bracket up to hook on sub-bracket.



6.4

Confirm shade bracket is fully engaged onto sub-bracket.

6.5

Make certain cable wires from wall, ceiling or jamb are between the shade bracket and the sub-bracket.

7 Center and Secure Shade

7.1

Move the shade left or right until centered.

7.2



WARNING:

Shade is not secured to the wall during the adjustment procedure. Extreme movement from side-to-side may cause shade to fall. Attention should be paid to the shade brackets' engagement into the sub-bracket as side-to-side movement is not restricted at this point. Shades wider than 4ft (1.2m) require two people to center the shade.

7.3

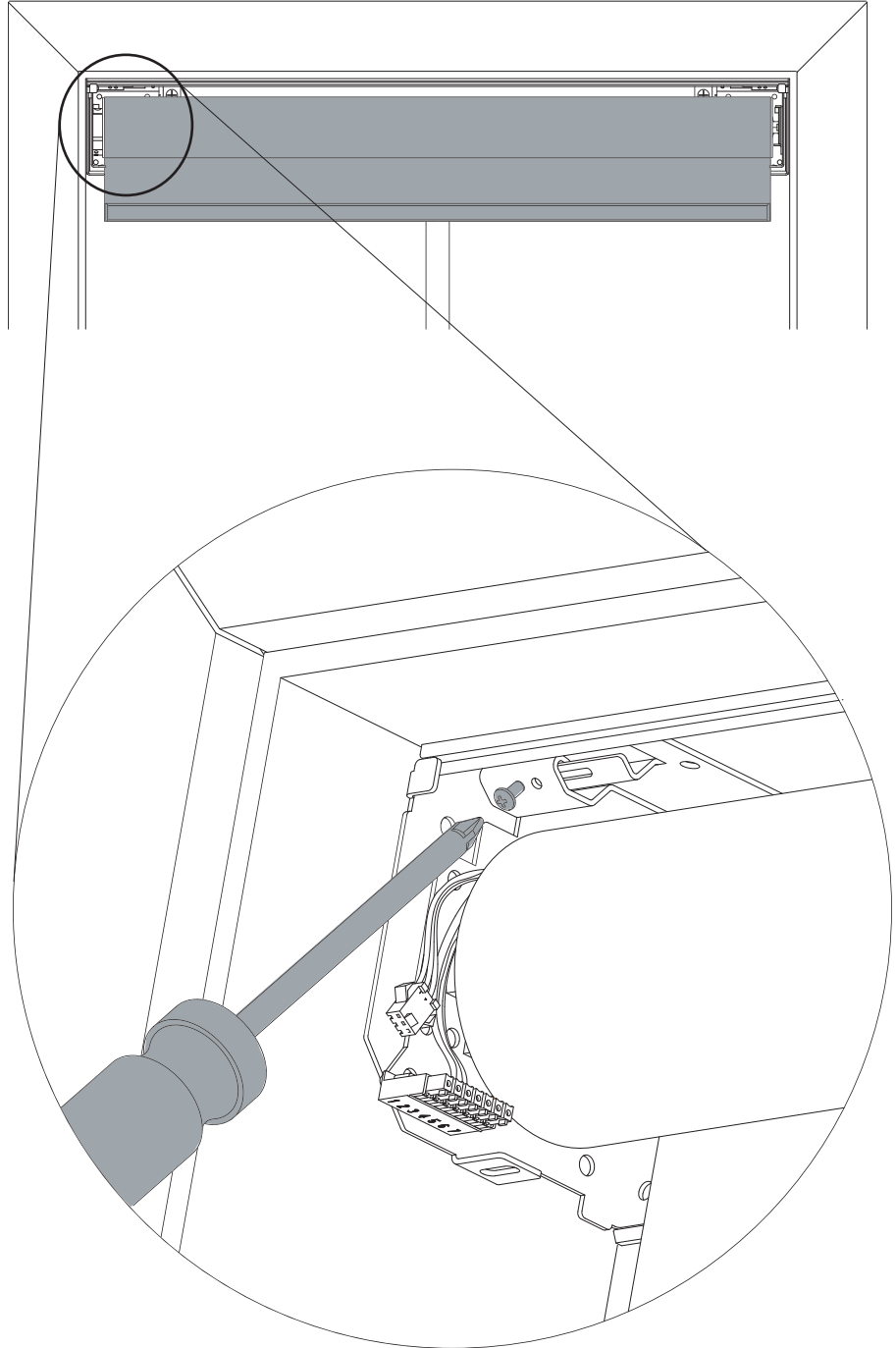
Insert and tighten retaining screws on BOTH brackets to secure the shade into position. Screws should be tightened down all the way.

Look through the hole next to the retaining screw to verify that the retaining screw is going into the slot in the sub-bracket.



WARNING:

After installing retaining screws, gently push up and pull down on the roller shade to ensure a secure installation.



8

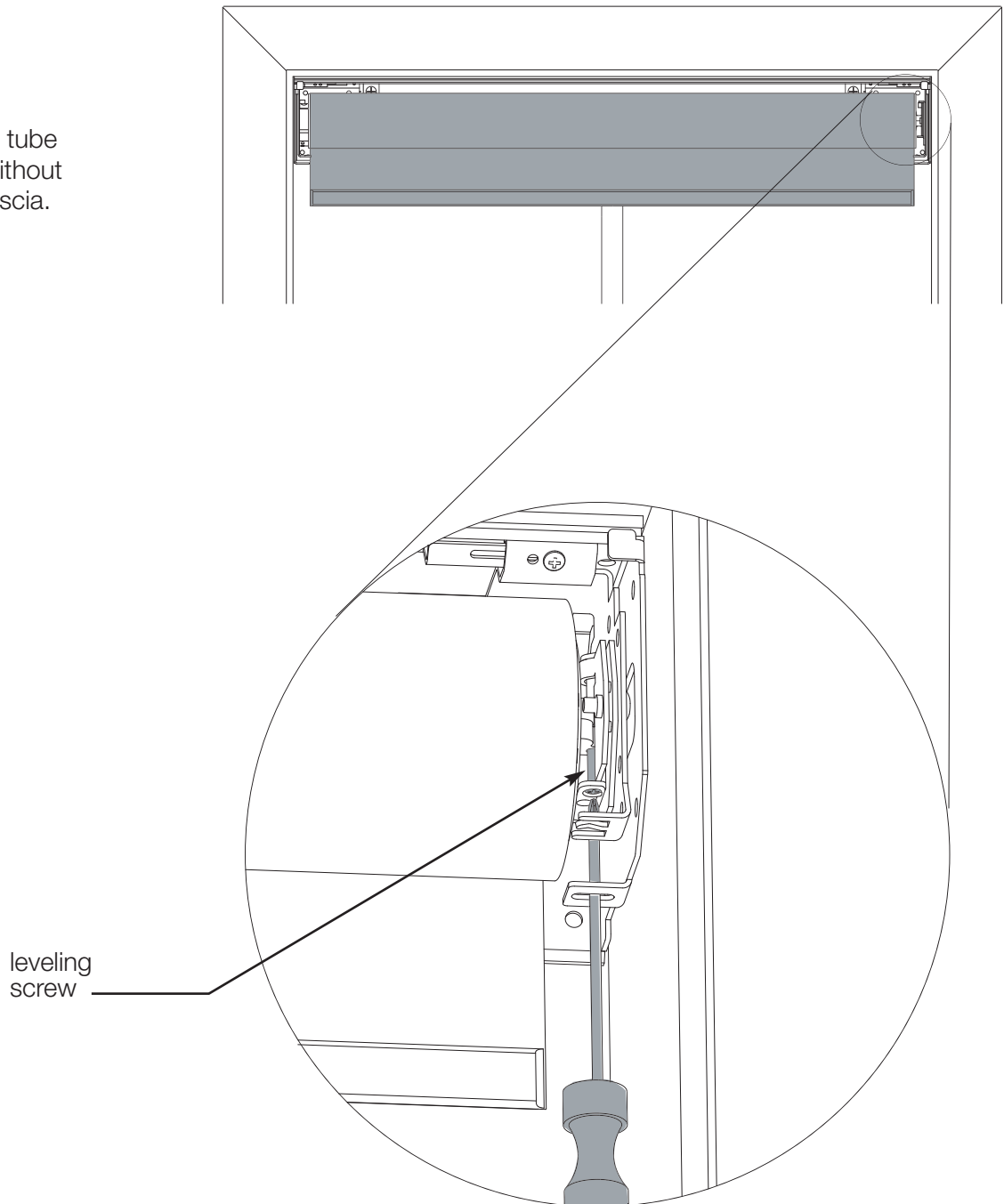
Adjust Shade Level

8.1

Turn leveling screw to raise or lower idler side of shade until level.

8.2

Confirm roller tube turns freely without rubbing on fascia.



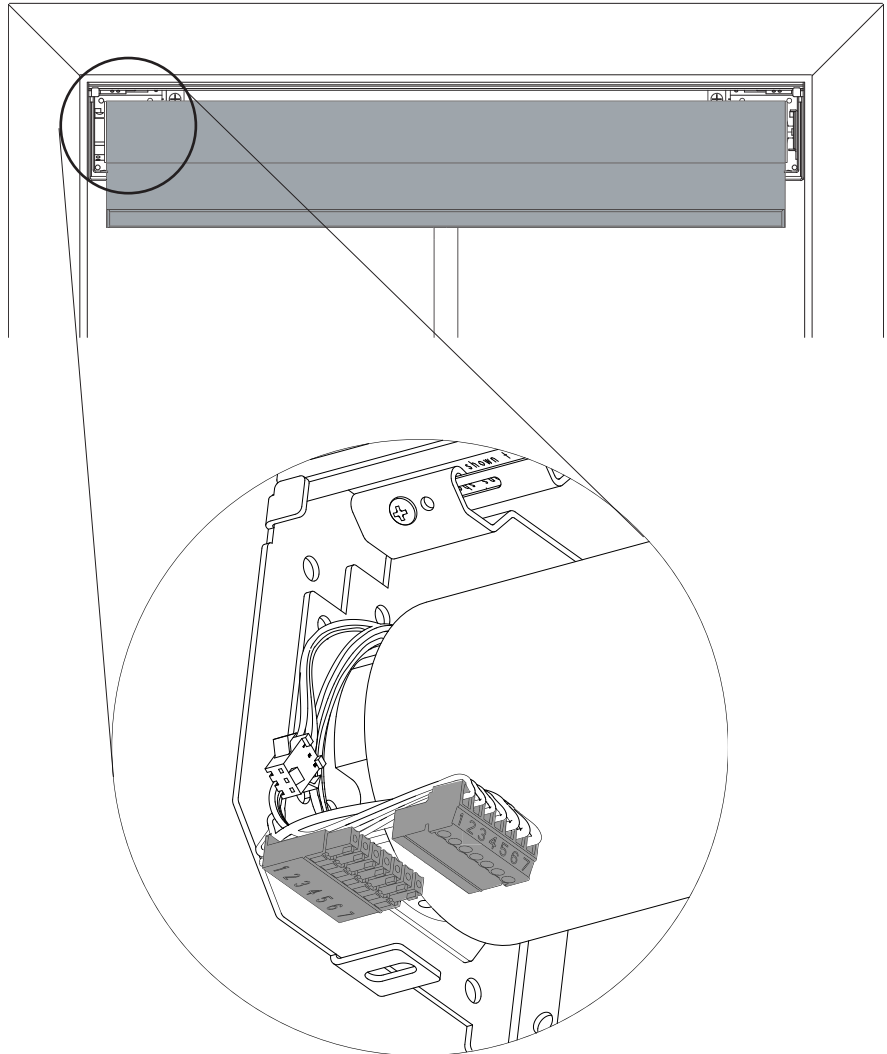
9

Connect Terminal Blocks

9.1

Plug 7-pin terminal block on cable into EDU terminal block attached to shade bracket

Note: EDU terminal block clips onto shade bracket to hold connected terminal blocks in place.



9.2

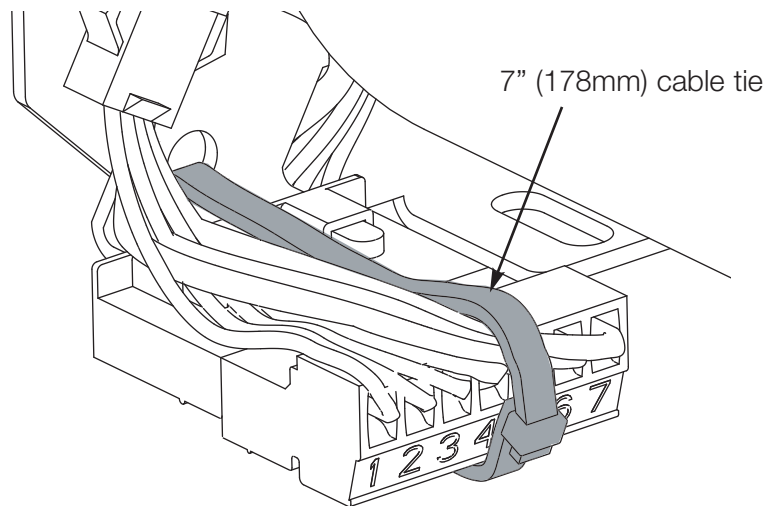
Ensure terminal blocks are oriented as shown.

9.3

Secure terminal blocks with 7" (178mm) cable tie.

9.4

Use 4" (102mm) Cable Ties to dress wires to prevent them from rubbing against shade fabric.



10 IR Receiver Connection (if applicable)

10.1

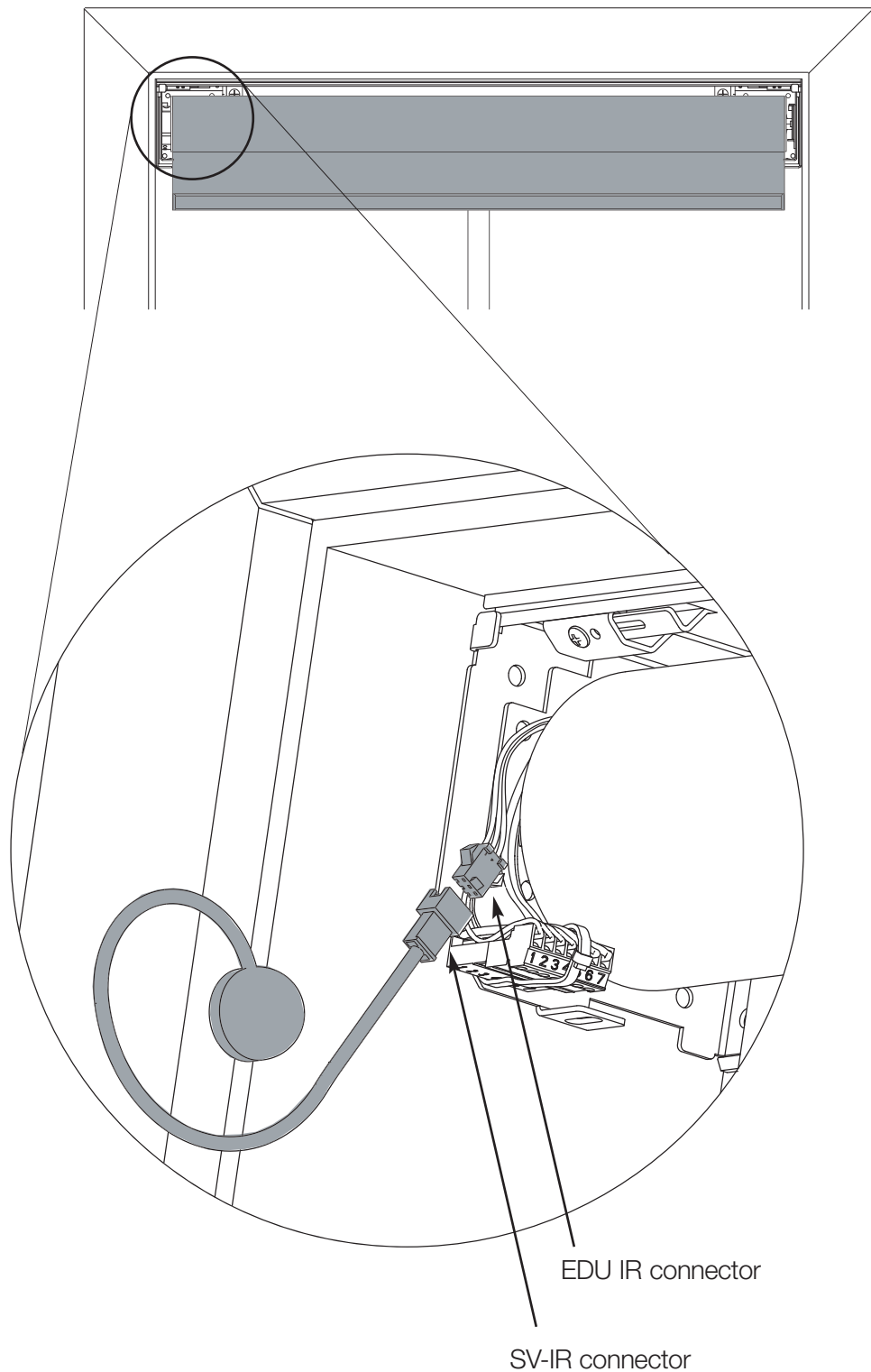
Plug in EDU IR connector to remote eye connector (SV-IR).

10.2

Position IR eye where it is not covered from view of remote control.

10.3

Ensure IR connector does not rub on shade.




11 Programming Setting Limits from the EDU

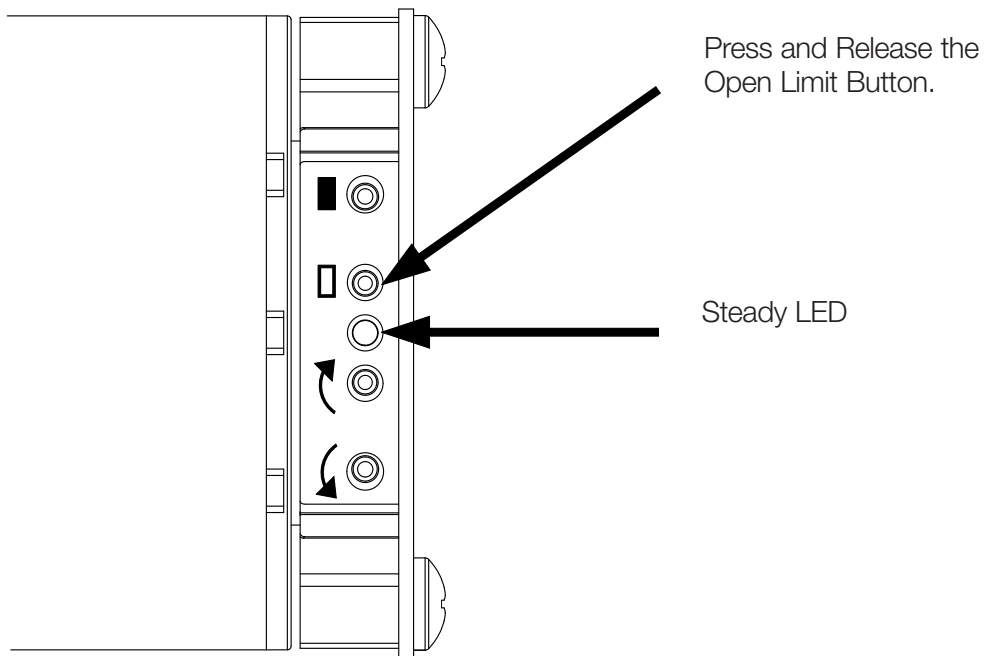
The Open and Close Limits determine how far an EDU will travel. When the open button is pressed on a Keypad, IR transmitter, or CCI, the EDU will move to the Open Limit. When the close button is pressed on a keypad, IR transmitter, or CCI, the EDU will move to the Close Limit. The EDU will not move higher than the Open Limit or lower than the Close Limit.

Note: Setting the Open Limit lower than the Close Limit will cause the shade to move down when raise is pressed and up when lower is pressed.

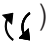
Setting the Open Limit from the EDU

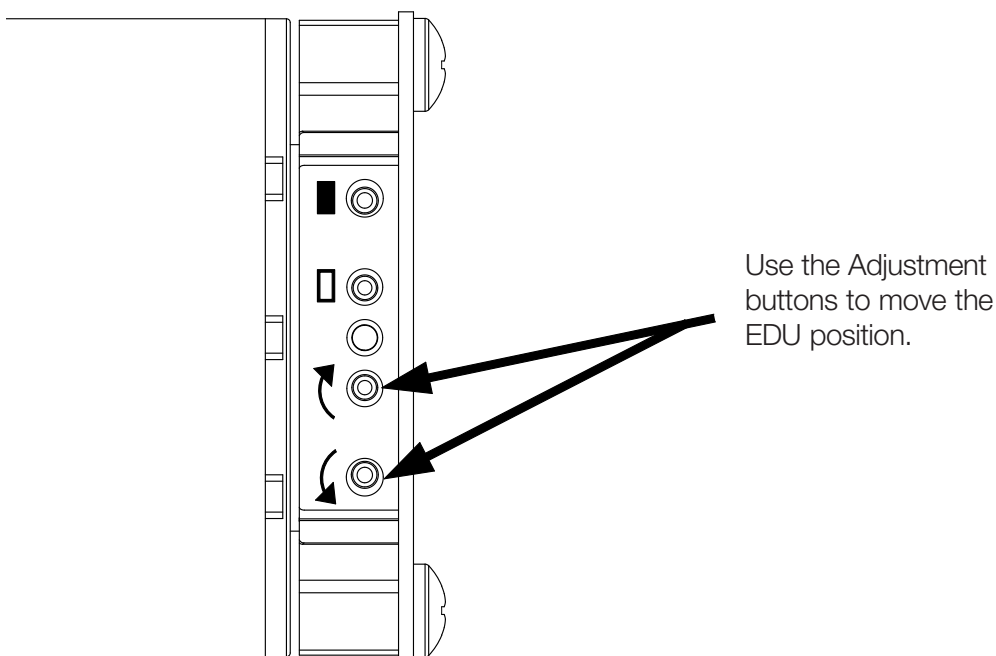
11.1

Press and release the “Open Limit Button” (), the LED on the roller Shade EDU will turn on steady, indicating that the EDU is in “Set Open Limit Mode”.



11.2


Adjust the position of the EDU to the desired Open Limit using the adjustment buttons ().

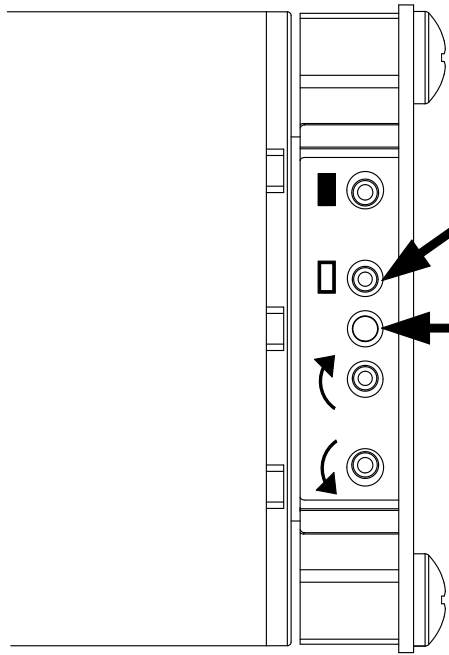


11 Programming Setting Limits from the EDU (continued)

Setting the Open Limit from the EDU

11.3

Press and hold the “Open Limit Button” () for 5 seconds, the LED on the roller shade EDU will flash for 2 seconds, then go dark, indicating that the current position has been stored as the Open Limit.




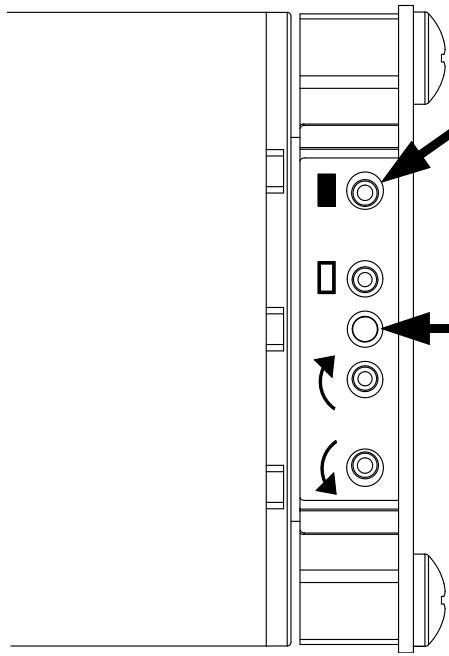
Press and hold the Open Limit Button for 5 seconds.

Flashing LED

Setting the Close Limit from the EDU

11.4

Press and release the “Close Limit Button” (), the LED on the roller Shade EDU will turn on steady, indicating that the EDU is in “Set Close Limit Mode”.



Press and Release the Close Limit Button.

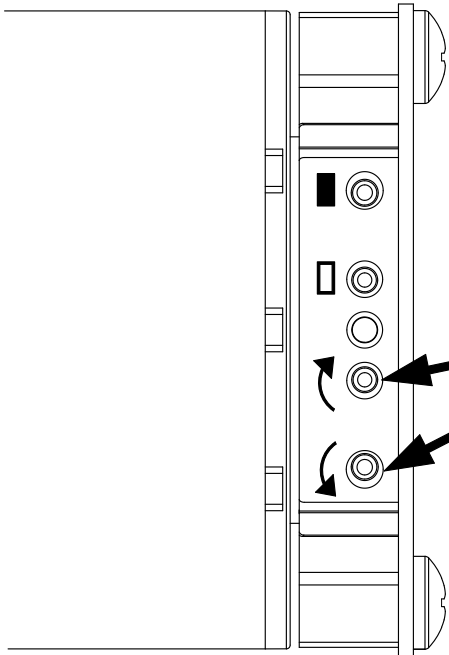
Steady LED

11 Programming Setting Limits from the EDU (continued)

Setting the Close Limit from the EDU

11.5

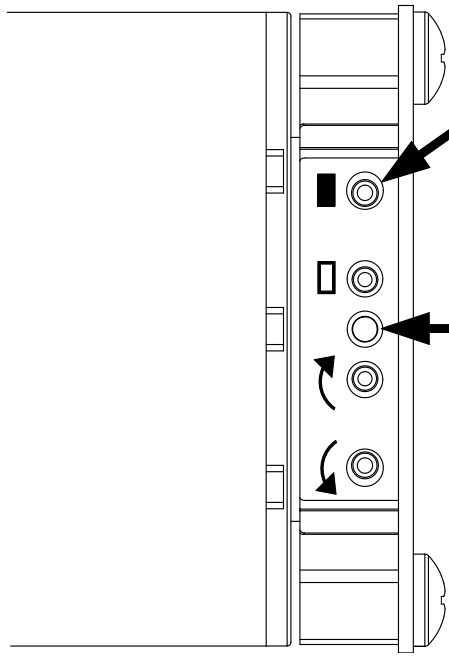
Adjust the position of the EDU to the desired Close Limit using the adjustment buttons (↻↻).



Use the Adjustment buttons to move the EDU position.

11.6

Press and hold the “Close Limit Button” (■) for 5 seconds, the LED on the roller shade EDU will flash for 2 seconds, then go dark, indicating that the current position has been stored as the Close Limit.



Press and hold the Close Limit Button for 5 seconds.

Flashing LED

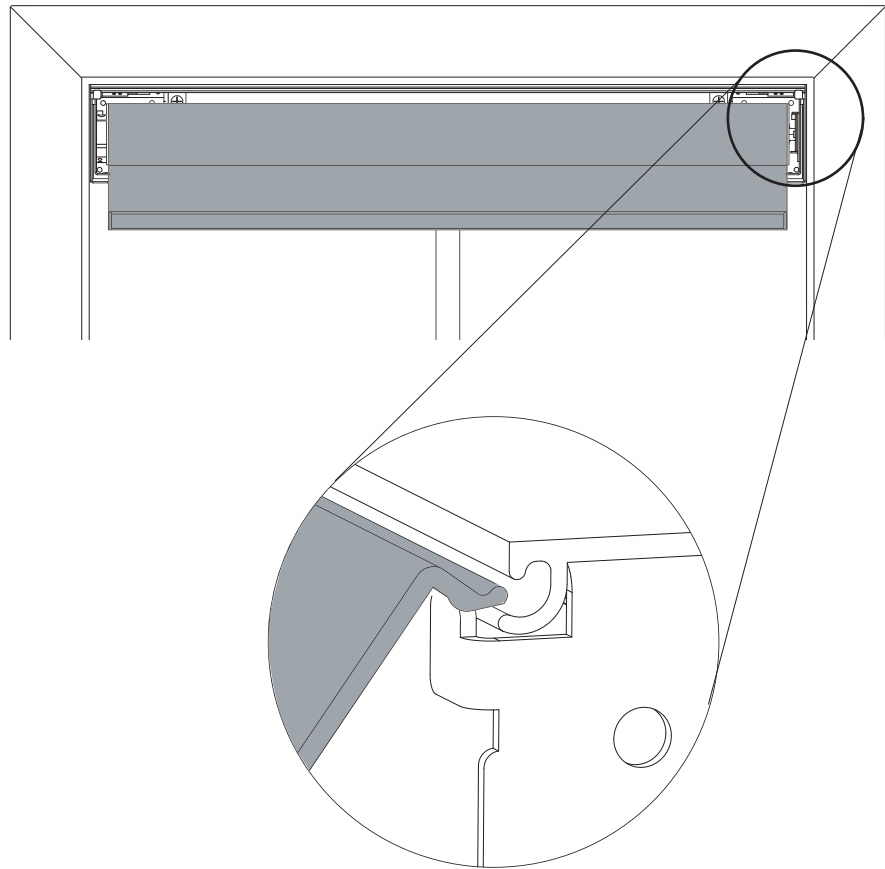
12 Attach Fascia

12.1

Insert top edge of Fascia into slot on front edge of Top/Back Cover.

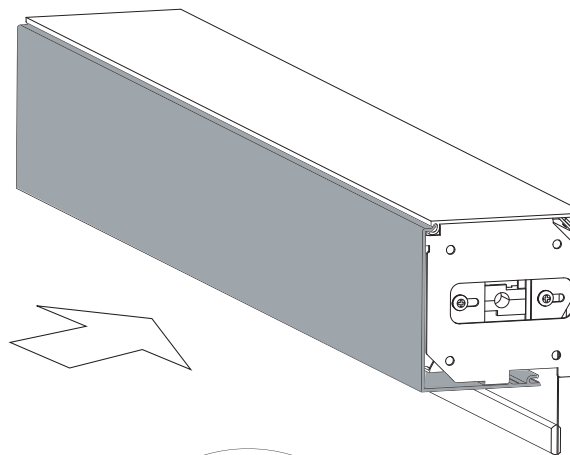
Swing fascia down toward shade.

Note: If Top/Back Cover is not present, hook front edge of Fascia over small tab on sub-brackets.



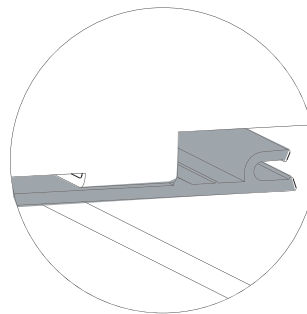
12.2

Press front of fascia until triangular lip snaps over the sub-bracket tab.



12.3

Ensure the shade does not rub on anything.



13 Finish System Programming

The Sivoia QED shade is now installed, wired, and the OPEN/CLOSE limits for each shade have been set.

The next step is to finish programming the system.

Use the instructions in the **Wiring and Programming Guide** (p/n 045-038) or the **Technical Reference Guide** (p/n 367-592) and perform these four easy steps:

1. **Address the system.** This gives each EDU, keypad and contact closure interface in the system a unique address number or “name”, allowing proper communication between components.
2. **Verify wiring** of each EDU, keypad and interface using the LED feedback from each system component.
3. **Assign shades** (EDUs) to keypads, IR hand controls and/or contact closure interfaces. Tell system which shades (EDUs) respond to which keypads and IR hand controls and contact closure Interfaces.
4. **Set and save PRESET shade positions** if you desire them to be different from the factory defaults.

14 Troubleshooting

<u>Symptom</u>	<u>Solution</u>
EDU will not move...	...EDU is not powered - check EDU Power. ...Shade is caught on something - free shade. ...Shade is not assigned to keypad, IR, or CCI.
Shade does not fully open or fully close...	...Limits have been set incorrectly - refer to “set open limit” and “set close limit” sections. ...Shade fabric is caught on something - free shade.
Fabric not level...	...Adjust using level adjustment screw. ...Check that brackets are mounted level. ...Check that fabric is tracking correctly on the shade tube.
Fabric not centered over window...	...Center shade using center adjustment. ...Check that brackets are centered.
Shade does not move smoothly...	...Check for binding of shade fabric on side channels. ...Check fabric tracking.
IR controls will not operate shade....	...IR transmitter does not have line-of-sight to IR receiver. ...Out of range - move to within 40 feet (12m) of IR receiver. ...EDUs not assigned to IR receiver. ...IR receiver not plugged into any EDU within range. ...Batteries are not providing power, replace them.

Technical Assistance

WORLD HEADQUARTERS

Lutron Electronics Co., Inc.
7200 Suter Road
Coopersburg, PA 18036
United States
Tel: +1-610-282-3800
Fax: +1-610-282-1243

EUROPEAN HEADQUARTERS

Lutron EA Ltd.
6 Sovereign Close
London, E1W 3JF
United Kingdom
Tel: +44-(0)20-7702-0657
Fax: +44-(0)20-7480-6899

CUSTOMER SERVICE/ORDERING

UK +44-(0)20-7702-0657 –
09.00 - 18.00 GMT
USA +1-610-282-3800 –
08.00 - 20.00 EST

CUSTOMER SERVICE /E-MAIL

shadinginfo@lutron.com

TECHNICAL SUPPORT & SERVICES

USA +1-610-282-3800 –
24 hours/7 days
UK +44-(0)20-7702-0657
09.00 - 18.00 GMT

INTERNET:

www.lutron.com

ADDITIONAL LUTRON SALES OFFICES:

Germany

Tel: +49-309-710-4590
Fax: +49-309-710-4591
FREEPHONE
00800-5887 6635

France

Tel: +33-(0)1-44-70-71-86
Fax: +33-(0)1-44-70-70-97
FREEPHONE 0800-90-12-18

Spain-Madrid

Tel: +34-91-567-84-79
Fax: +34-91-567-84-78
FREEPHONE 0900-948-944

Spain-Barcelona

Tel: +34-93-496-57-42
Fax: +34-93-496-57-50
FREEPHONE 0900-948-944

Hong Kong

Tel: +852-2104-7733
Fax: +852-2104-7633

Beijing

Tel: +86-10-5877-1817
Fax: +86-10-5877-1816

Shanghai

Tel: +86-21-6288-1473
Fax: +86-21-6288-1751

Singapore

Tel: +65-6220-4666
Fax: +65-6220-4333

Japan

Tel: +81-3-5575-8411
Fax: +81-3-5575-8420

Limited Warranty

Lutron Shading Solutions by VIMCO offers an 8-year limited warranty for our shading systems. Please contact customer service or visit our website for a complete warranty statement.

Lutron Shading Solutions by VIMCO reserves the right to make improvements or changes to these products without prior notice. Although every attempt is made to ensure that this information is accurate and up to date, please check with Lutron Shading Solutions by VIMCO to confirm product availability, the latest specifications, and suitability for your application.

These products may be covered by one or more of the following US patents:

5,671,387; 6,100,659

and corresponding foreign patents. US and foreign patents pending.

Lutron, the Sunburst logo, and Sivoia are registered trademarks, and Sivoia QED and "Lutron controls your light" are trademarks of Lutron Electronics Co., Inc.

©2005 LUTRON Electronics Co., Inc.
Printed in the U.S.A.
P/N 045-042 REV. C