

Sivoia QED™

Installation
Instructions

Wall Mount Roller Shade

Note: If installing a coupled system,
use In-Line Coupled Roller
Shade Addendum as the
primary installation guide.

 **LUTRON**
shading solutions by **VIMCO™**

Sivoia QED™ | Wall Mount

Installation Instructions

Tools Required:

Tape Measure
Wire Cutter/Stripper
Pliers
#2 Phillips Screwdriver

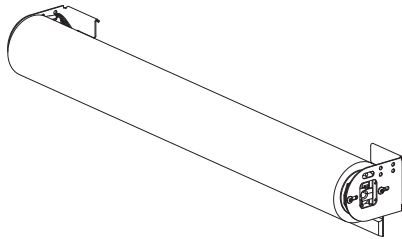
1/4" Hex-Head Driver
Level
Power Drill

Notes:

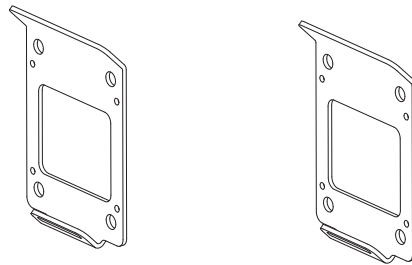
- 1) For In-Line Coupled Shade Systems, begin with Sivoia QED In-Line Coupled Roller Shade Addendum, P/N 045-048. The Addendum will indicate when to use this document.
- 2) Complete wiring and programming information can be found in the Sivoia QED Wire and Programming Guide, P/N 045-038 or at www.lutron.com.
- 3) The Electronic Drive Unit (EDU) will need to be powered to complete installation.

Box Contents:

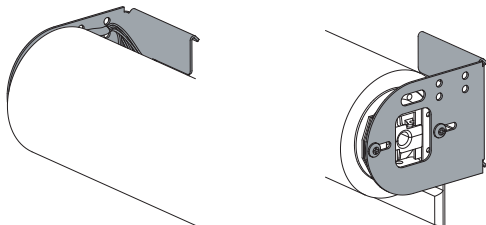
Sivoia QED™ Roller Shade



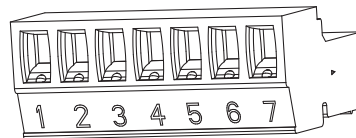
(2) Wall Sub-Brackets



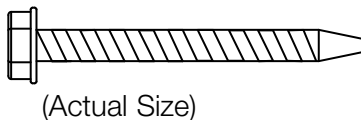
Left and Right Side Shade Brackets (attached)



(1) 7 Pin Terminal Block



(8) Mounting Screws
(#8x1-3/4" (#8x44mm) Hex Head Screws)



(Actual Size)

(2) Extra Retaining Screws
(#6x1/4" (#6x6mm) Phillips Head Screws)

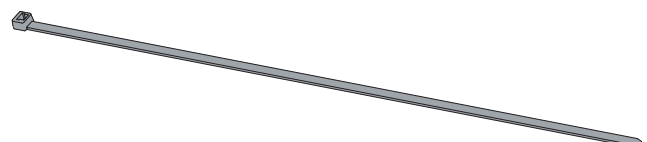


(Actual Size)

(2) 4" (102mm) Cable Ties



(2) 7" (178mm) Cable Ties




1 Match Shade to Window


1.1

Confirm system dimensions on package label and window dimensions to verify appropriate window/shade combination.

Package Label

WO# 

LUTRON

PO: 

Tag:


Item #:

Wid": SW Ht":

Item Tag: of Boxes:

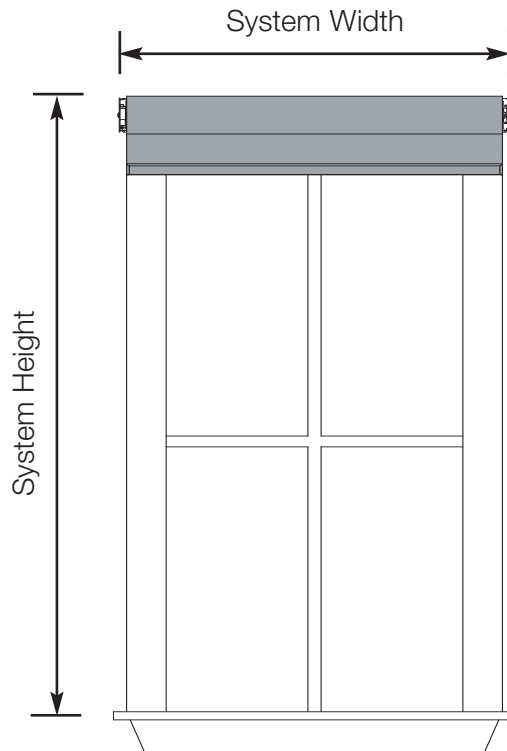
LUTRON Shading Solutions by VIMCO

800-446-1503



00181117 001 001 03/13/03

Checked by:



2

Pre-drill for Cable

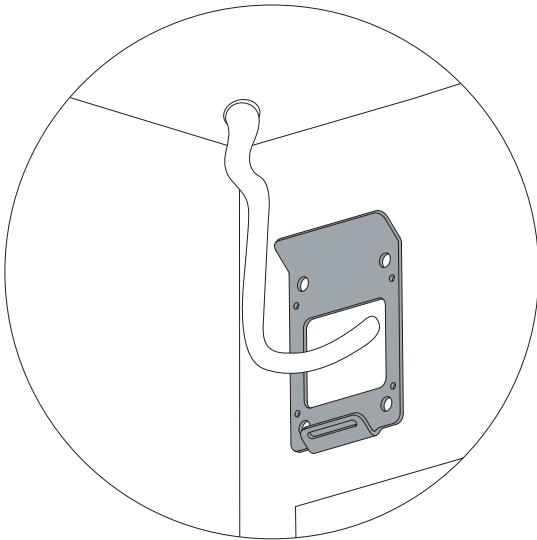
2.1

Determine where to drill for cable access. See options below.

Cable should exit from wall, ceiling or jamb on EDU side of system.

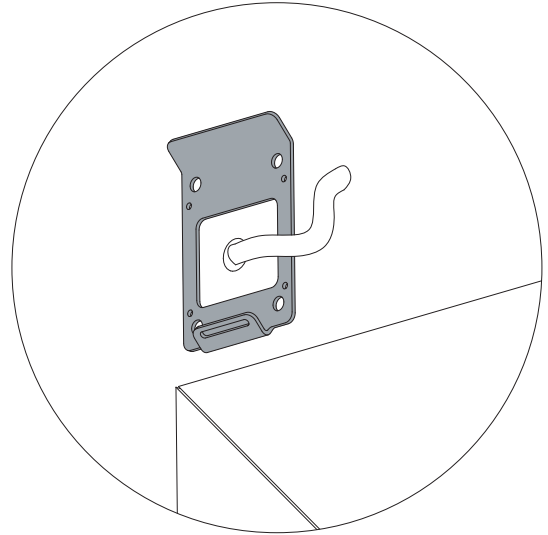
Note: Leave 12-18" (305-457mm) of cable exposed.

Ceiling



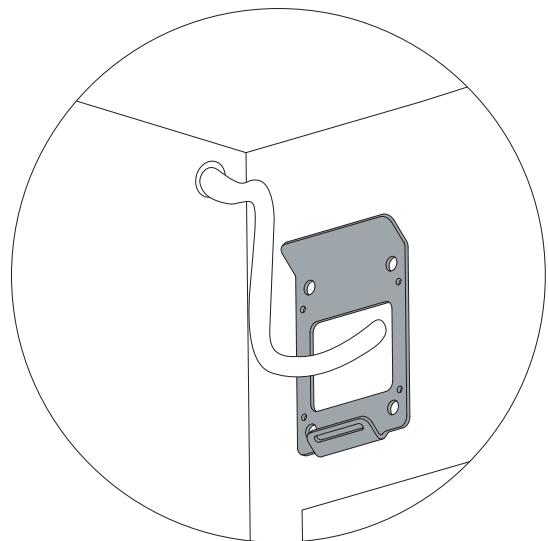
Ceiling
Drill for cable 1/2" (13mm) from end of system and 1/2" (13mm) from mounting wall.

Wall



Wall
Drill for cable 1 1/4" - 2" (32-51mm) from end of system and 2 - 2 1/2" (51-64mm) from top of system

Jamb



Jamb
Drill for cable 1/2" (13mm) from top top of system and 1/2" (13mm) from mounting wall.

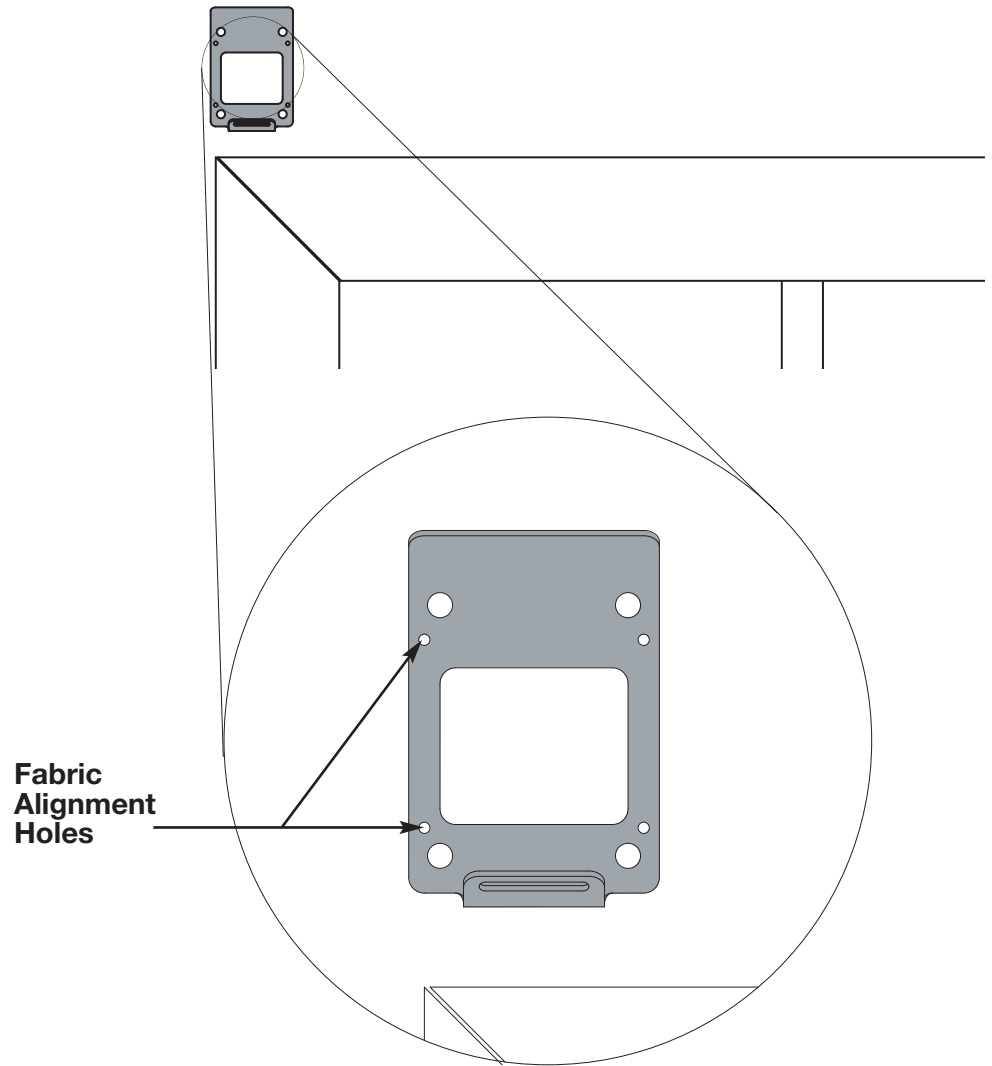
3

Mount Sub-Brackets

3.1

Use fabric alignment holes to position the sub-bracket right to left. The fabric alignment holes will line up with the outside edge of the shade tube.

Note: Fabric edge may not line up with the edge of the tube.



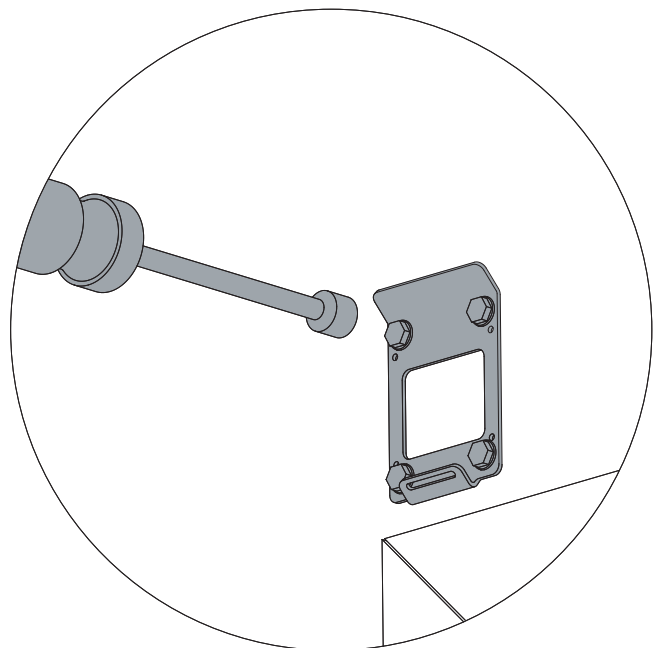
3.2

Once their position has been established, mount sub-brackets using appropriate fasteners.



WARNING:

The sub-brackets for each shade tube should be mounted to support a weight of at least 300 pounds (136kg). The fasteners provided with the sub-brackets may not be appropriate for use in all applications.

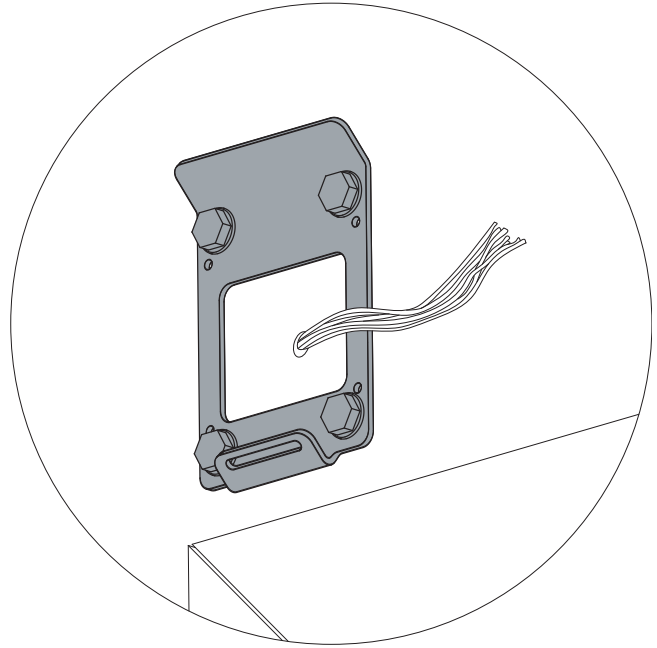


4

Wire 7-Pin Terminal Block

4.1

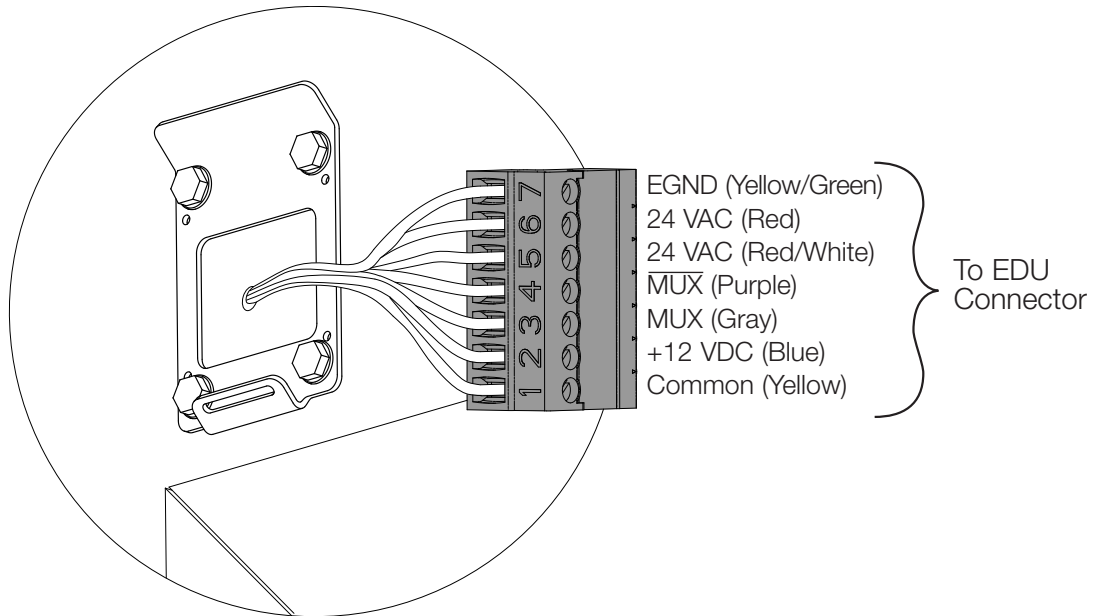
Strip jacket off entire length of exposed cable.



4.2

Wire 7-Pin terminal block (provided) to cable.

Note: SVQ-CBL-250 shown



5

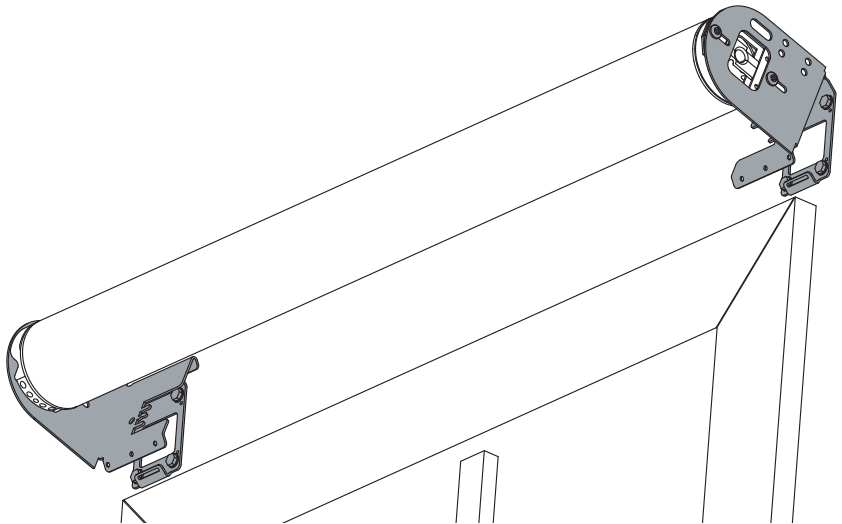
Mount Shade to Sub-Brackets



WARNING:

Shades wider than 4ft (1.2m) require two people to install.

Note: If installing a coupled shade system, install the shade with the EDU first.



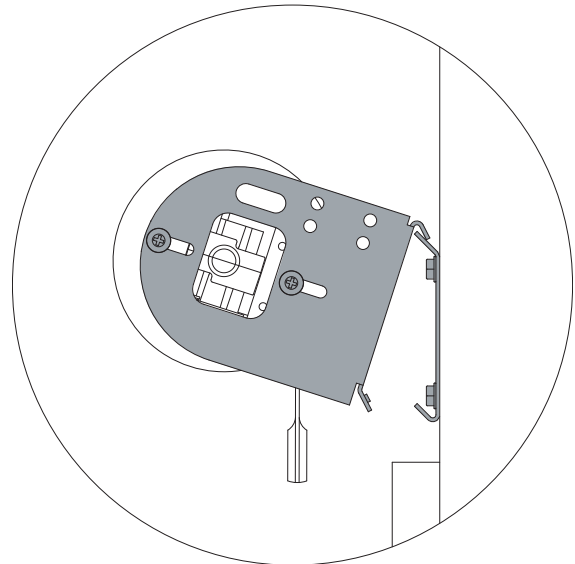
5.1

Remove retaining screws from shade brackets.

Note: Leave protective wrapping on shade during installation.

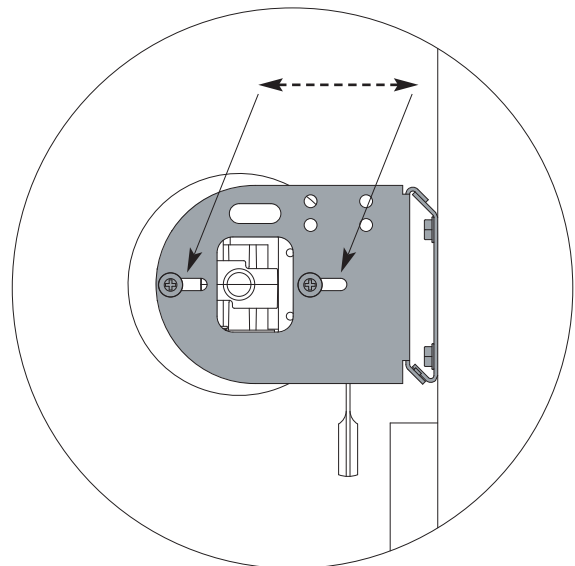
5.2

Hook the lip of each shade bracket onto the top of each sub-bracket.



5.3

Swing shade down until bottom of shade brackets rest against sub-brackets



5.4

Route cable wires from wall, ceiling or jamb between the shade bracket and the sub-bracket being careful not to pinch wire.

6

Center and Secure Shade

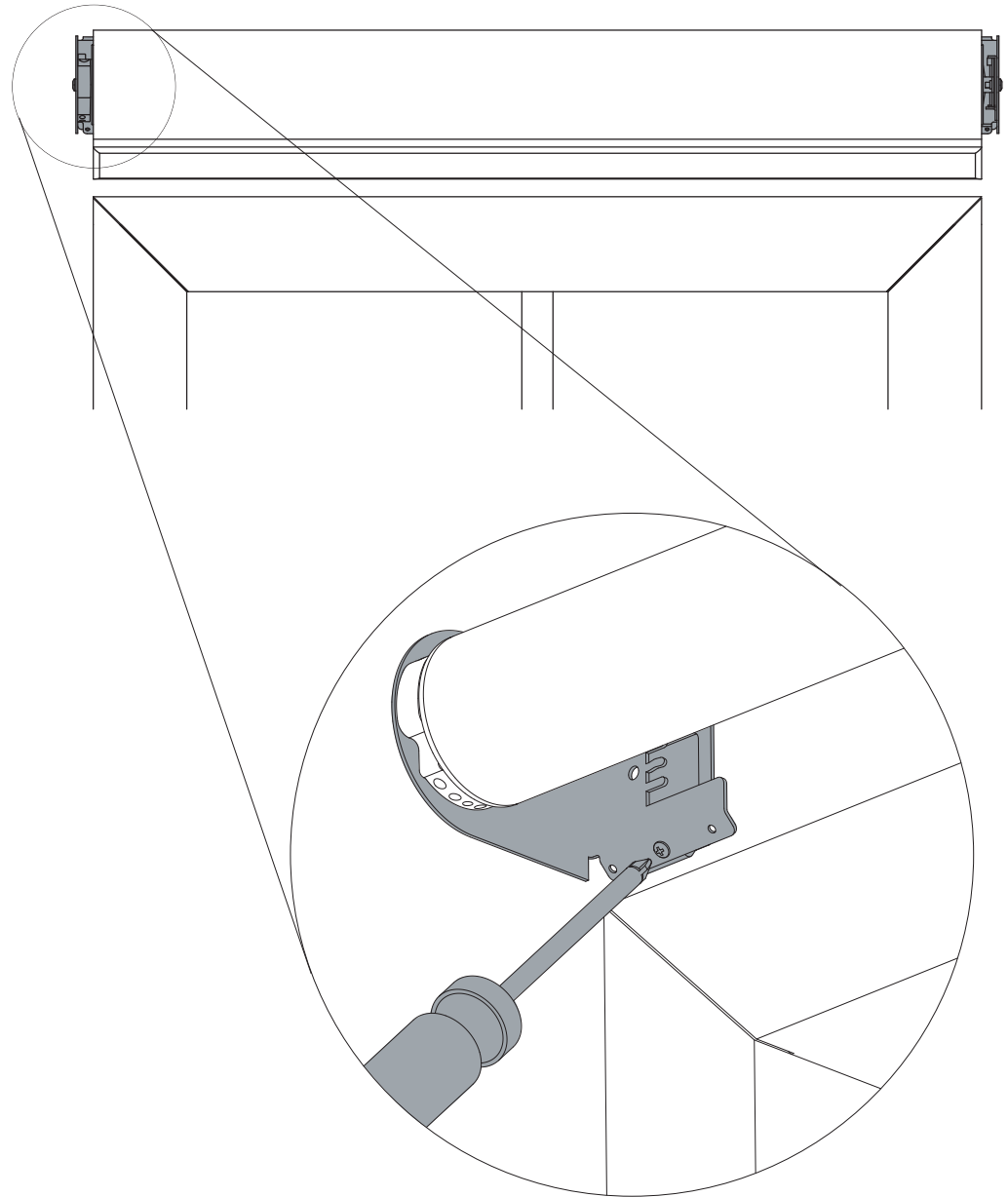
6.1

Move the shade left or right until centered.



WARNING:

Shade is not secured to the wall during the adjustment procedure. Extreme movement from side-to-side may cause shade to fall. Attention should be paid to the shade brackets' engagement into the sub-bracket as side-to-side movement is not restricted at this point. Shades wider than 4ft (1.2m) require two people to center the shade.



6.2

Insert and tighten retaining screws on BOTH shade brackets to secure the shade into position. Screws should be tightened down all the way.



WARNING:

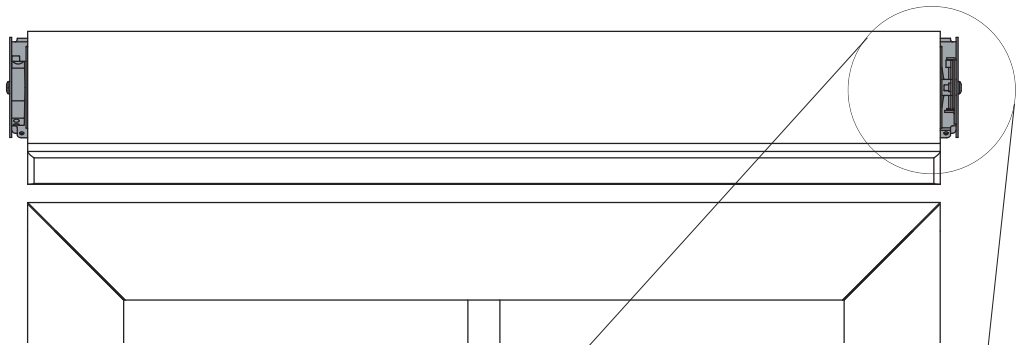
After installing retaining screws, gently push up and pull down on the roller shade to ensure a secure installation.

7

Adjust Shade Level

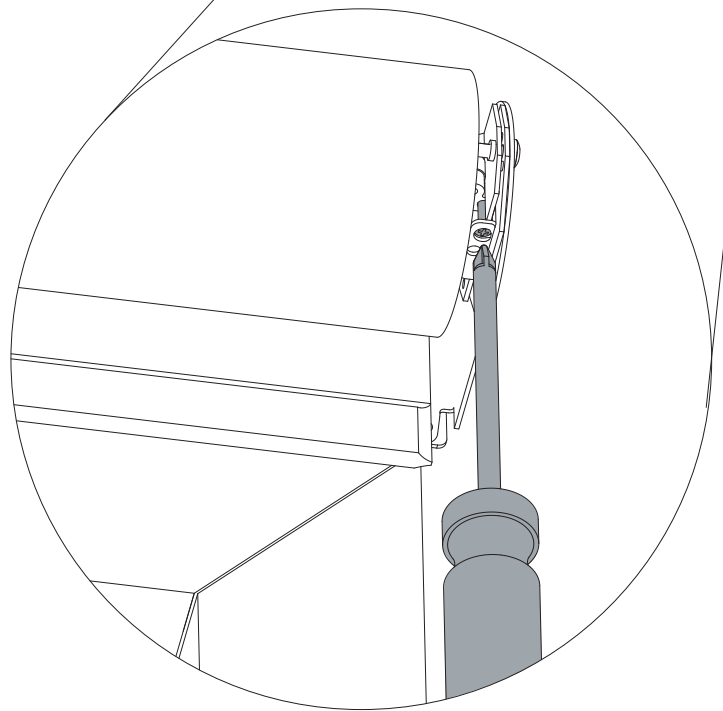
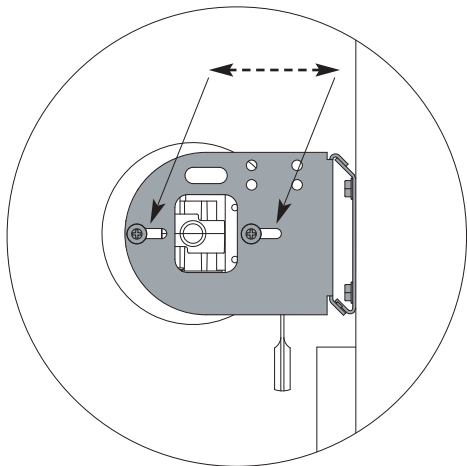
7.1

Turn leveling screw to raise or lower idler side of shade until level.



7.2

Adjust shade projection from window so that it clears any window trim or hardware when operating.



7.3

Confirm roller tube turns freely without rubbing on anything.

8

Connect Terminal Blocks

8.1

Plug 7-pin terminal block on cable into EDU terminal block attached to shade bracket.

Note: EDU terminal block clips onto shade bracket to hold connected terminal blocks in place.

8.2

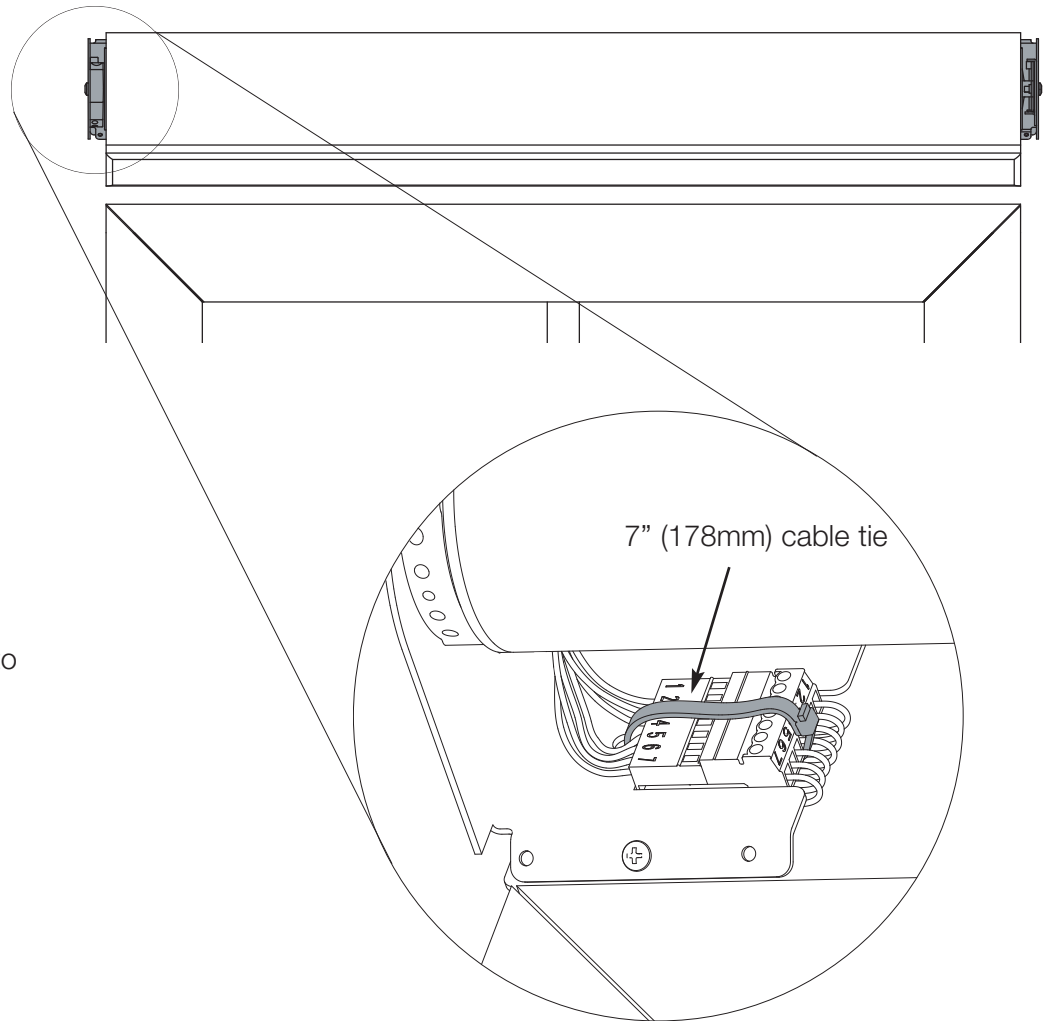
Ensure terminal blocks are oriented as shown.

8.3

Secure terminal blocks with 7" (178mm) cable tie.

8.4

Use 4" (102mm) Cable Ties to dress wires to prevent them from rubbing against shade fabric.



9

IR Receiver Connection (if applicable)

9.1

Plug in EDU IR connector to remote eye connector (SV-IR).

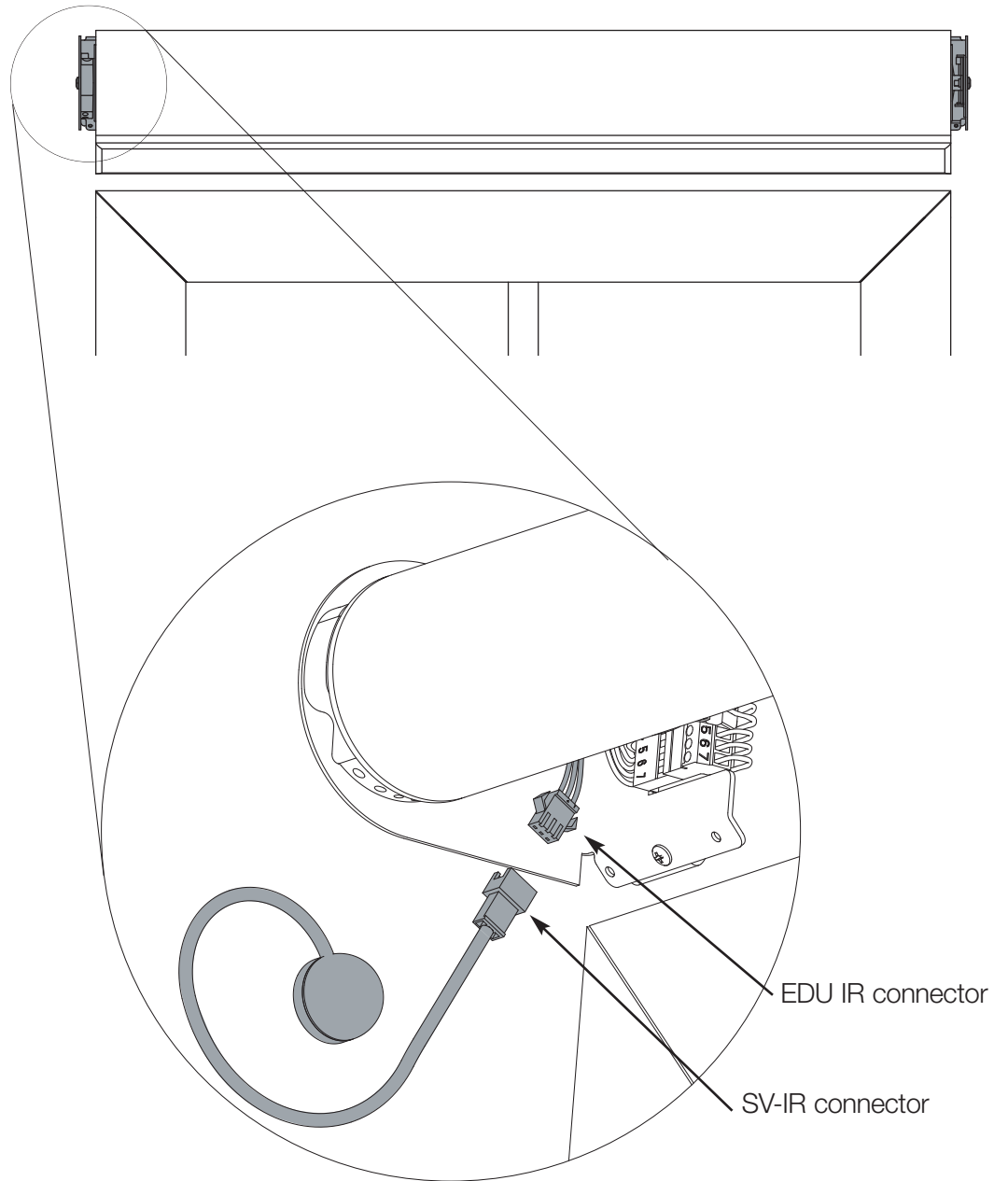
9.2

Position IR eye where it is not covered from view of remote control.

Note: If necessary use 10-foot (3m) extension (SV-IR-EXT-10) sold separately.

9.3

Ensure IR connector does not rub on shade.



10


Programming Setting Limits from the EDU

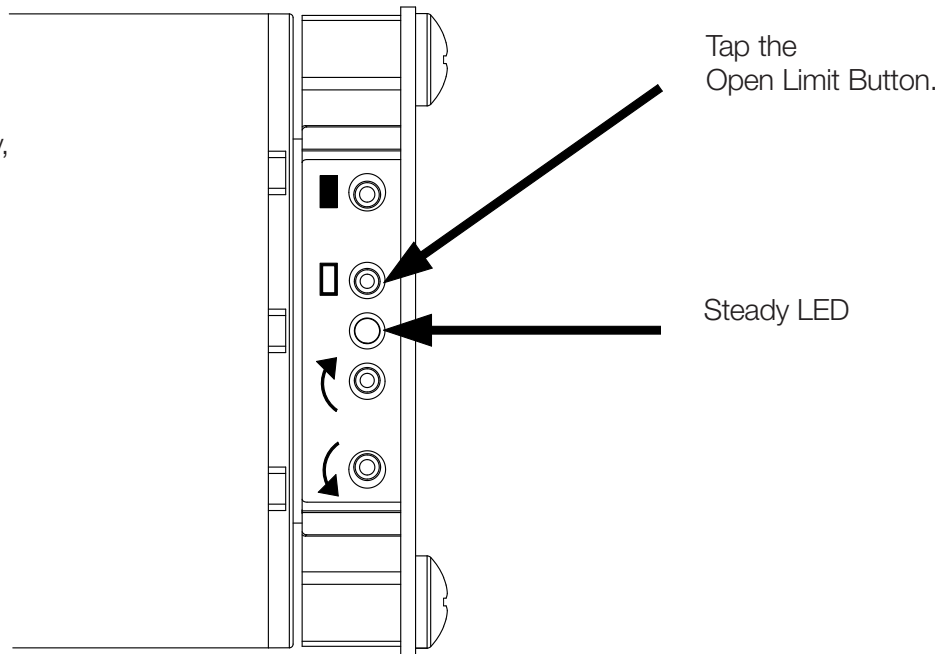
The Open and Close Limits determine how far an EDU will travel. When the open button is pressed on a Keypad, IR transmitter, or CCI, the EDU will move to the Open Limit. When the close button is pressed on a keypad, IR transmitter, or CCI, the EDU will move to the Close Limit. The EDU will not move higher than the Open Limit or lower than the Close Limit.

Note: Setting the Open Limit lower than the Close Limit will cause the shade to move down when raise is pressed and up when lower is pressed.


Setting the Open Limit from the EDU

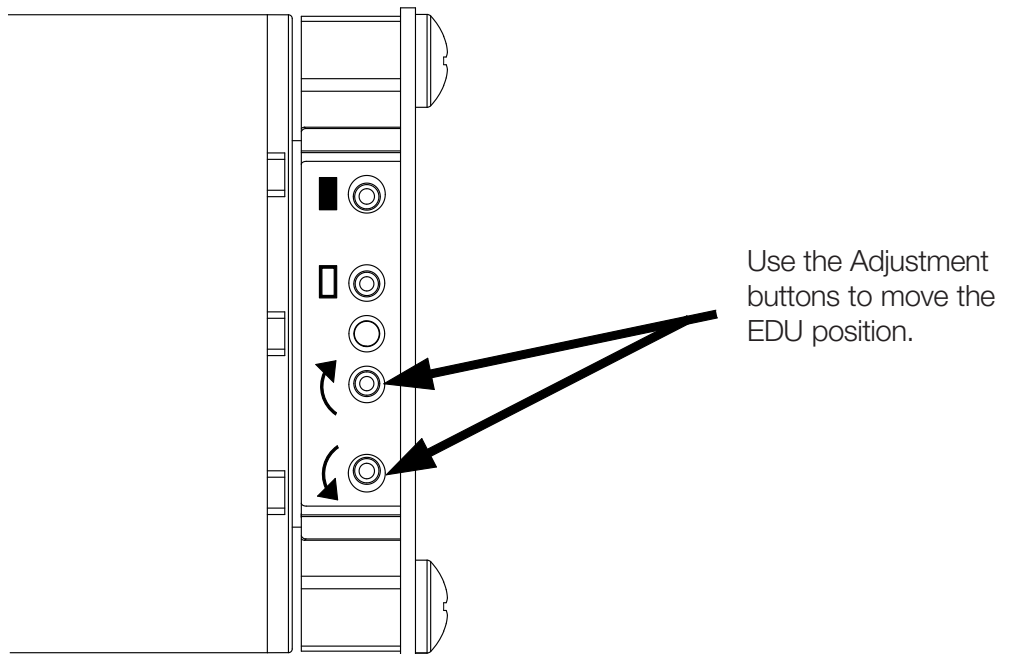
10.1

Tap the “Open Limit Button” (), the LED on the roller Shade EDU will turn on steady, indicating that the EDU is in “Set Open Limit Mode”.



10.2


Adjust the position of the EDU to the desired Open Limit using the adjustment buttons ().

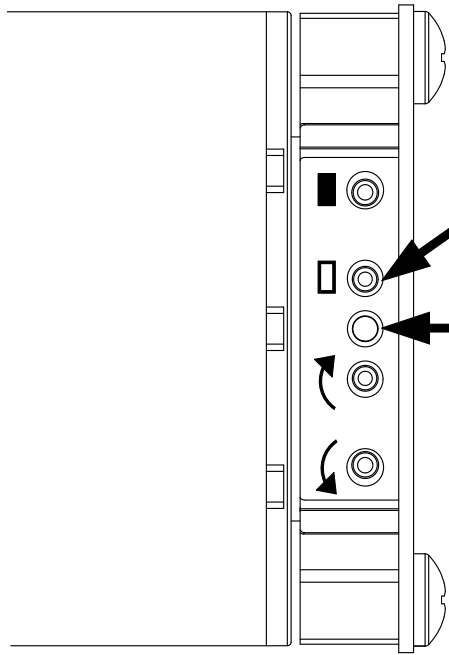


10 Programming Setting Limits from the EDU (continued)

Setting the Open Limit from the EDU

10.3

Press and hold the “Open Limit Button” () for 5 seconds, the LED on the roller shade EDU will flash for 2 seconds, then go dark, indicating that the current position has been stored as the Open Limit.




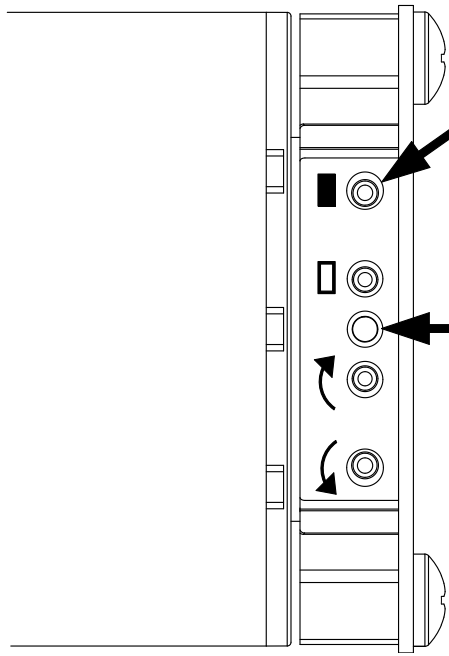
Press and hold the Open Limit Button for 5 seconds.

Flashing LED

Setting the Close Limit from the EDU

10.4

Tap the “Close Limit Button” (), the LED on the roller Shade EDU will turn on steady, indicating that the EDU is in “Set Close Limit Mode”.



Tap the Close Limit Button.

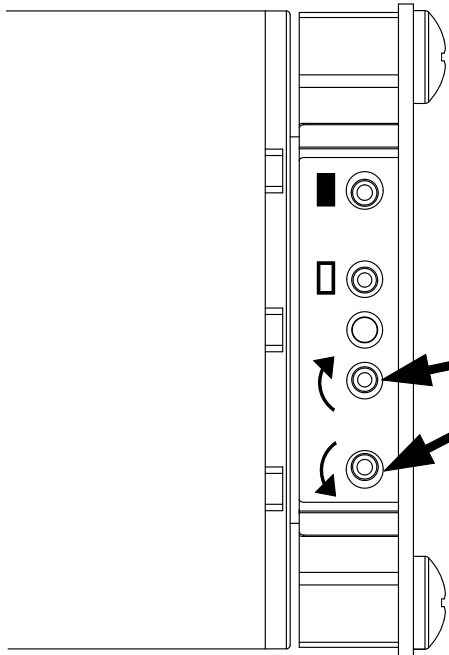
Steady LED

10 Programming Setting Limits from the EDU (continued)

Setting the Close Limit from the EDU

10.5

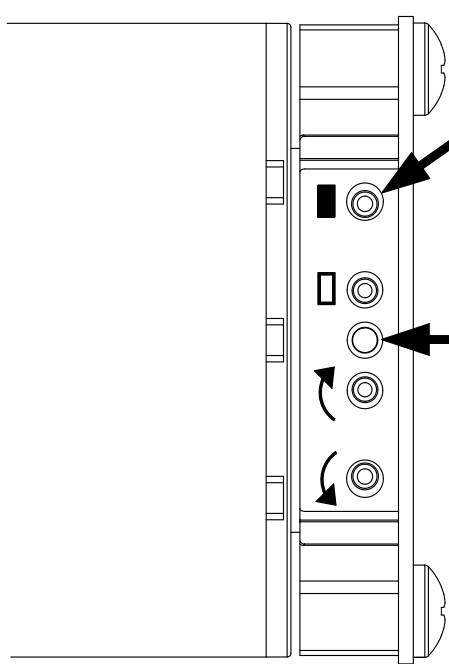
Adjust the position of the EDU to the desired Close Limit using the adjustment buttons (↻↻).



Use the Adjustment buttons to move the EDU position.

10.6

Press and hold the “Close Limit Button” (■) for 5 seconds, the LED on the roller shade EDU will flash for 2 seconds, then go dark, indicating that the current position has been stored as the Close Limit.



Press and hold the Close Limit Button for 5 seconds.

Flashing LED

Finish System Programming

The Sivoia QED shade is now installed, wired, and the OPEN/CLOSE limits for each shade have been set.

The next step is to finish programming the system.

Use the instructions in the **Wiring and Programming Guide** (p/n 045-038) or the **Technical Reference Guide** (p/n 367-592) and perform these four easy steps:

1. **Address the system.** This gives each EDU, keypad and contact closure interface in the system a unique address number or “name”, allowing proper communication between components.
2. **Verify wiring** of each EDU, keypad and interface using the LED feedback from each system component.
3. **Assign shades** (EDUs) to keypads, IR hand controls and/or contact closure interfaces. Tell system which shades (EDUs) respond to which keypads and IR hand controls and contact closure Interfaces.
4. **Set and save PRESET shade positions** if you desire them to be different from the factory defaults.

12 Troubleshooting

<u>Symptom</u>	<u>Solution</u>
EDU will not move...	...EDU is not powered - check EDU Power. ...Shade is caught on something - free shade. ...Shade is not assigned to keypad, IR, or CCI.
Shade does not fully open or fully close...	...Limits have been set incorrectly - refer to “set open limit” and “set close limit” sections. ...Shade fabric is caught on something - free shade.
Fabric not level...	...Adjust using level adjustment screw. ...Check that brackets are mounted level. ...Check that fabric is tracking correctly on the shade tube.
Fabric not centered over window...	...Center shade using center adjustment. ...Check that brackets are centered.
Shade does not move smoothly...	...Check for binding of shade fabric on side channels. ...Check fabric tracking.
IR controls will not operate shade....	...IR transmitter does not have line-of-sight to IR receiver. ...Out of range - move to within 40 feet (12m) of IR receiver. ...EDUs not assigned to IR receiver. ...IR receiver not plugged into any EDU within range. ...Batteries are not providing power, replace them.

Technical Assistance

WORLD HEADQUARTERS

Lutron Electronics Co., Inc.
7200 Suter Road
Coopersburg, PA 18036
United States
Tel: +1-610-282-3800
Fax: +1-610-282-1243

EUROPEAN HEADQUARTERS

Lutron EA Ltd.
6 Sovereign Close
London, E1W 3JF
United Kingdom
Tel: +44-(0)20-7702-0657
Fax: +44-(0)20-7480-6899

CUSTOMER SERVICE/ORDERING

UK +44-(0)20-7702-0657 –
09.00 - 18.00 GMT
USA +1-610-282-3800 –
08.00 - 20.00 EST

CUSTOMER SERVICE /E-MAIL

shadinginfo@lutron.com

TECHNICAL SUPPORT & SERVICES

USA +1-610-282-3800 –
24 hours/7 days
UK +44-(0)20-7702-0657
09.00 - 18.00 GMT

INTERNET:

www.lutron.com

ADDITIONAL LUTRON SALES OFFICES:

Germany

Tel: +49-309-710-4590
Fax: +49-309-710-4591
FREEPHONE
00800-5887 6635

France

Tel: +33-(0)1-44-70-71-86
Fax: +33-(0)1-44-70-70-97
FREEPHONE 0800-90-12-18

Spain-Madrid

Tel: +34-91-567-84-79
Fax: +34-91-567-84-78
FREEPHONE 0900-948-944

Spain-Barcelona

Tel: +34-93-496-57-42
Fax: +34-93-496-57-50
FREEPHONE 0900-948-944

Hong Kong

Tel: +852-2104-7733
Fax: +852-2104-7633

Beijing

Tel: +86-10-5877-1817
Fax: +86-10-5877-1816

Shanghai

Tel: +86-21-6288-1473
Fax: +86-21-6288-1751

Singapore

Tel: +65-6220-4666
Fax: +65-6220-4333

Japan

Tel: +81-3-5575-8411
Fax: +81-3-5575-8420

Limited Warranty

Lutron Shading Solutions by VIMCO offers an 8-year limited warranty for our shading systems. Please contact customer service or visit our website for a complete warranty statement.

Lutron Shading Solutions by VIMCO reserves the right to make improvements or changes to these products without prior notice. Although every attempt is made to ensure that this information is accurate and up to date, please check with Lutron Shading Solutions by VIMCO to confirm product availability, the latest specifications, and suitability for your application.

These products may be covered by one or more of the following US patents:

5,671,387; 6,100,659

and corresponding foreign patents. US and foreign patents pending.

Lutron, the Sunburst logo, and Sivoia are registered trademarks, and Sivoia QED and "Lutron controls your light" are trademarks of Lutron Electronics Co., Inc.

©2005 LUTRON Electronics Co., Inc.

Printed in the U.S.A.

P/N 045-045 REV. C