

Sivoia QED[®] Installation Instructions

Wall Mount Roller Blind

Note: If installing a coupled system,
use In-Line Coupled Roller
Blind Addendum as the
primary installation guide.



Sivoia QED® | wall mount

Installation Instructions

Tools Required:

Tape Measure
Wire Cutter/Stripper
Pliers
#2 Phillips Screwdriver

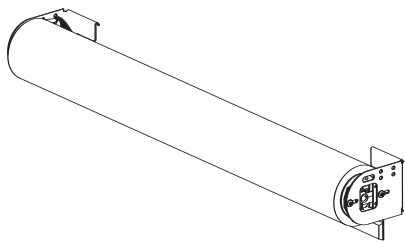
1/4 in. Hex-Head Driver
Level
Power Drill

Notes:

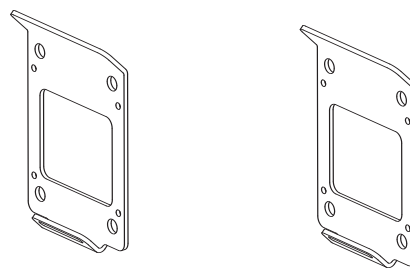
- 1) For In-Line Coupled Blind Systems, begin with Sivoia QED In-Line Coupled Roller Blind Addendum, P/N 045-048-12. The Addendum will indicate when to use this document.
- 2) Complete wiring and programming information can be found in the Sivoia QED Wire and Programming Guide, P/N 045-038-12 or at www.lutron.com.
- 3) The Electronic Drive Unit (EDU) will need to be powered to complete installation.

Box Contents:

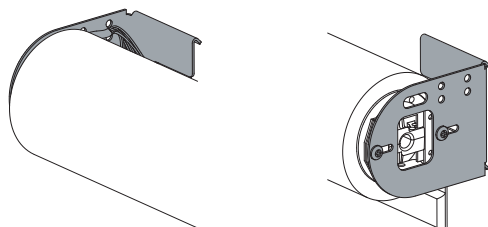
Sivoia QED® Roller Blind



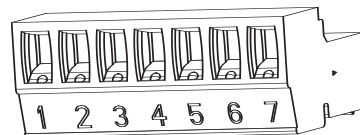
(2) Wall Sub-Brackets



Left and Right Side Blind Brackets (attached)



(1) 7 Pin Terminal Block



(8) Mounting Screws
(#8x44 mm (#8x1-3/4 in.) Hex Head Screws)



(Actual Size)

(2) Extra Retaining Screws
(#6x6 mm (#6x1/4 in.) Phillips Head Screws)

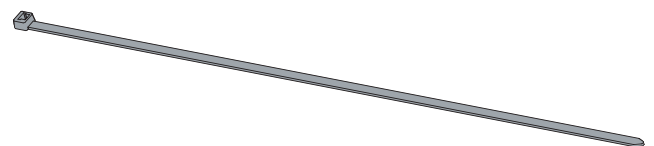


(Actual Size)

(2) (102 mm (4 in.) Cable Ties



(2) (178 mm (7 in.) Cable Ties




1 Match Blind to Window


1.1

Confirm system dimensions on package label and window dimensions to verify appropriate window/blind combination.

Package Label

WO# 

LUTRON

PO: 

Tag:

Item #:

Wid": SW


Ht":

Item Tag:

of Boxes:

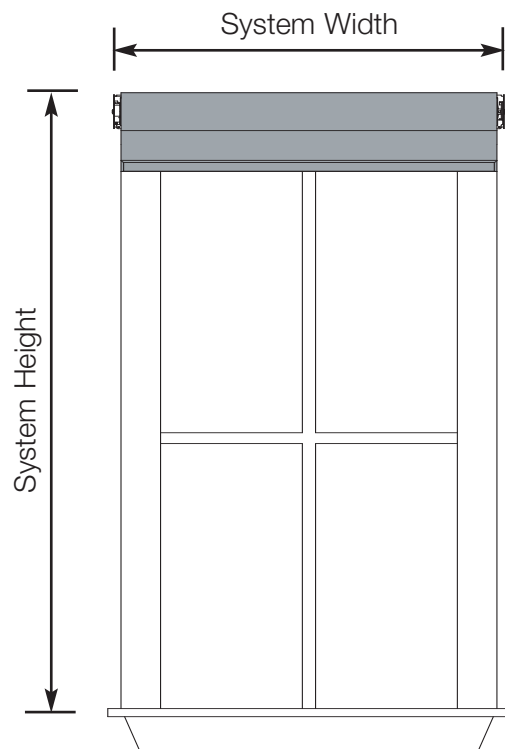
LUTRON Shading Solutions

800-446-1503



00181117 001 001 03/13/03

Checked by:



2

Pre-drill for Cable

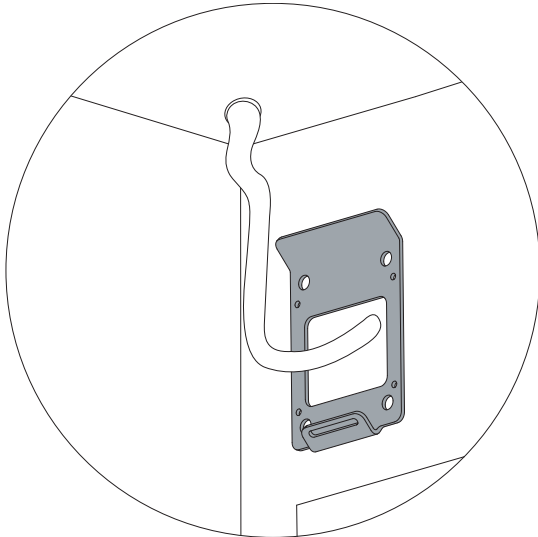
2.1

Determine where to drill for cable access. See options below.

Cable should exit from wall, ceiling or jamb on EDU side of system.

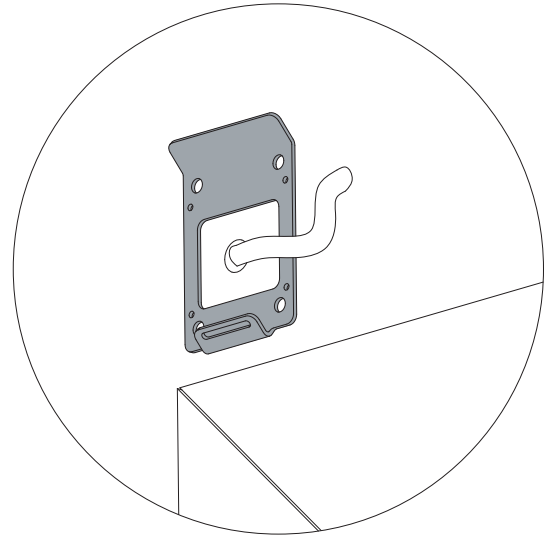
Note: Leave 305-457 mm (12-18 in.) of cable exposed.

Ceiling



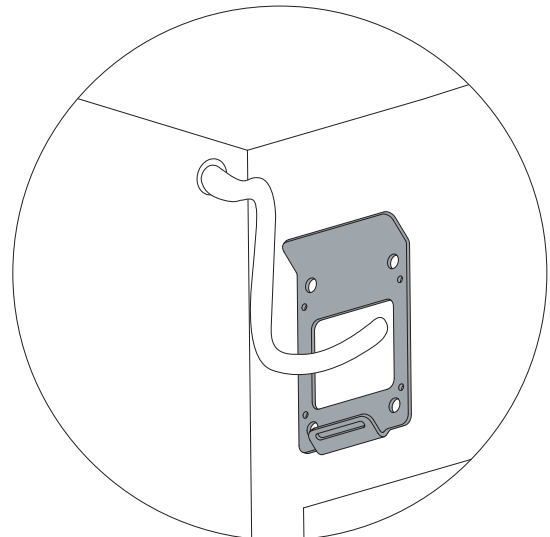
Ceiling
Drill for cable 13 mm (1/2 in.) from end of system and 13 mm (1/2 in.) from mounting wall.

Wall



Wall
Drill for cable 32-51 mm (1 1/4 in. - 2 in.) from end of system and 51-64 mm (2 - 2 1/2 in.) from top of system

Jamb



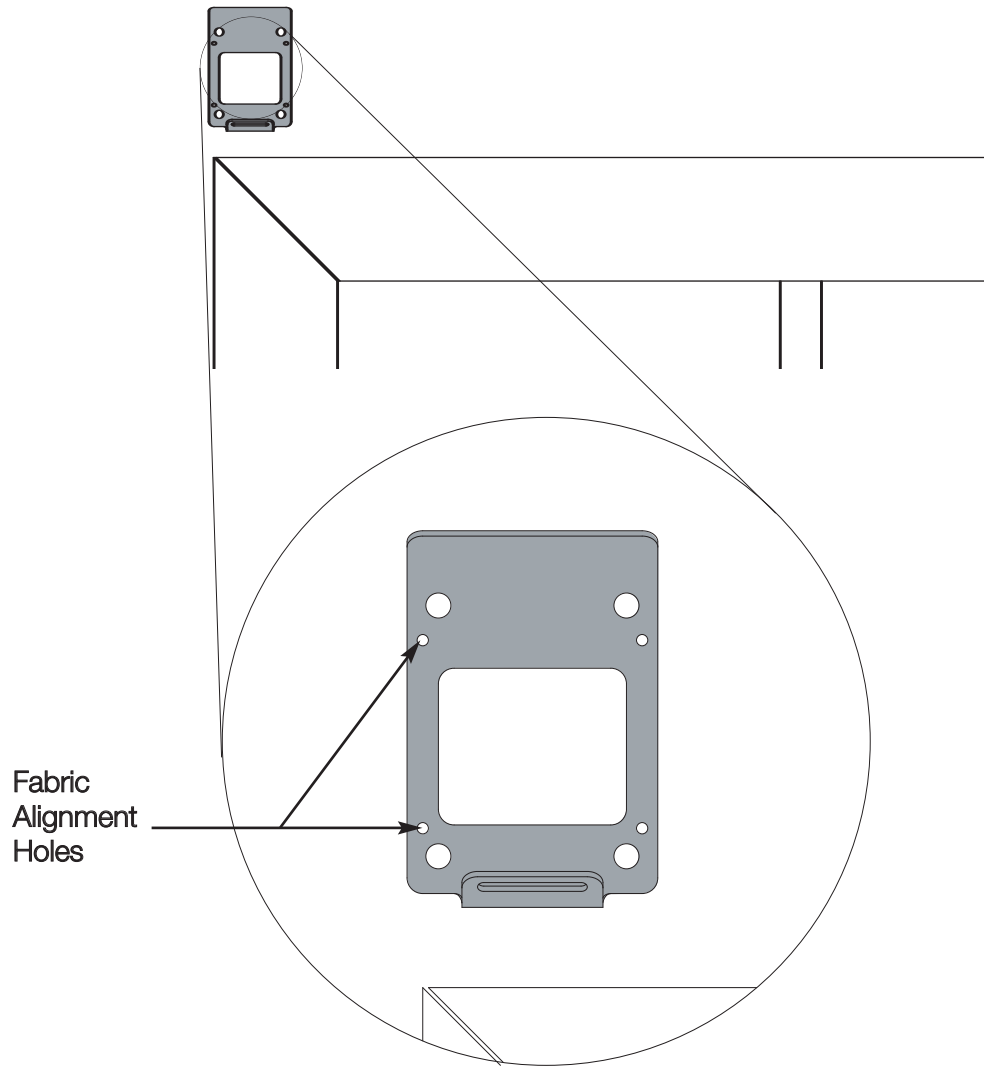
Jamb
Drill for cable 13 mm (1/2 in.) from top top of system and 13 mm (1/2 in.) from mounting wall.

3 Mount Sub-Brackets

3.1

Use fabric alignment holes to position the sub-bracket right to left. The fabric alignment holes will line up with the outside edge of the blind tube.

Note: Fabric edge may not line up with the edge of the tube.



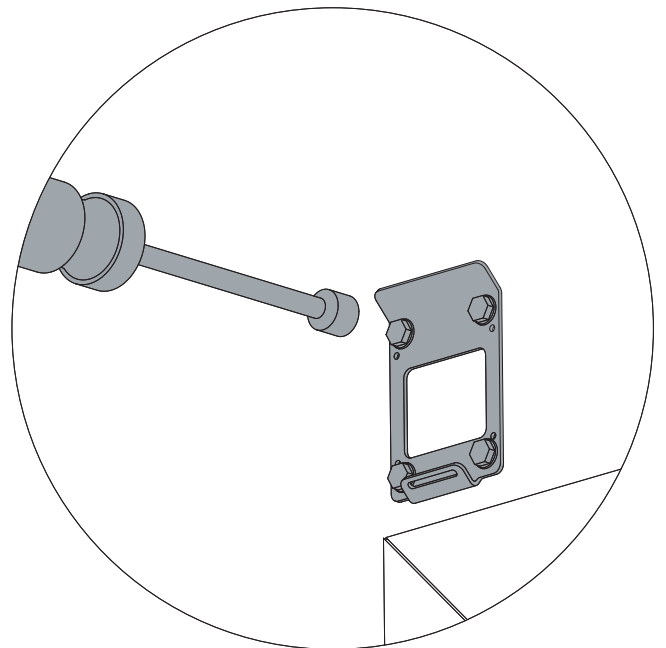
3.2

Once their position has been established, mount sub-brackets using appropriate fasteners.



WARNING:

The sub-brackets for each blind tube should be mounted to support a weight of at least 136 kg (300 pounds). The fasteners provided with the sub-brackets may not be appropriate for use in all applications.

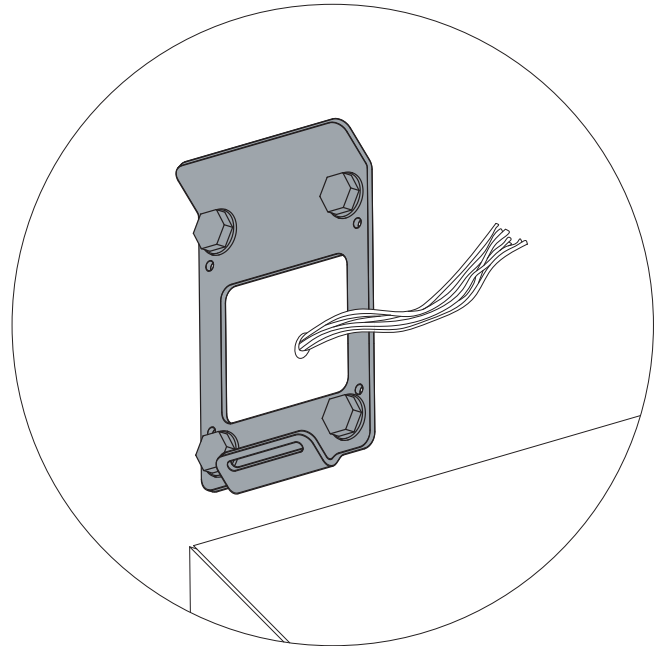


4

Wire 7-Pin Terminal Block

4.1

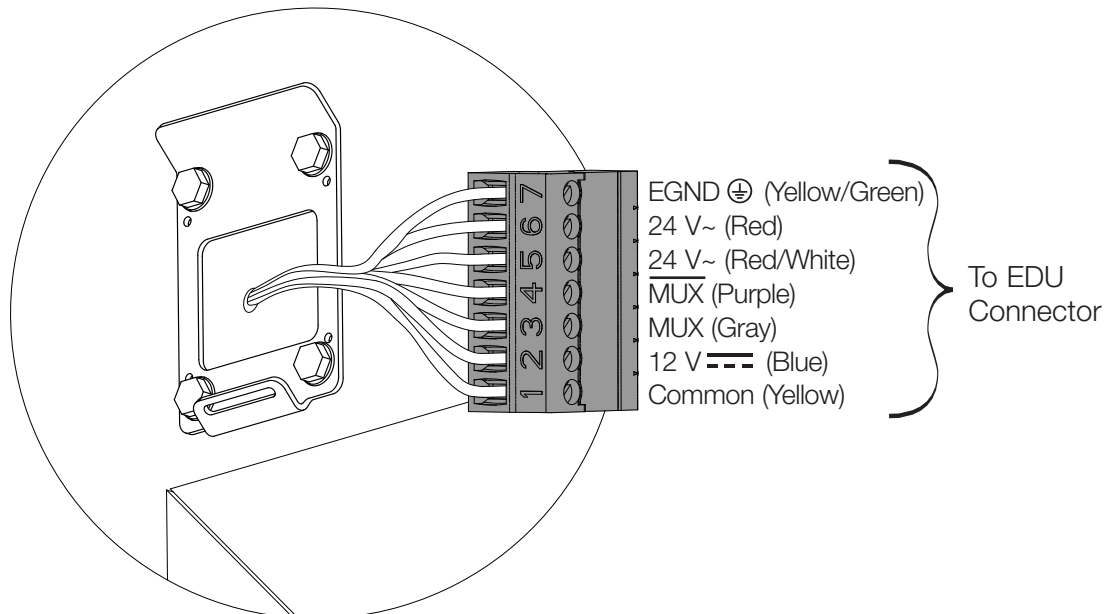
Strip jacket off entire length of exposed cable. (305-457 mm or 12-18 in.)



4.2

Wire 7-Pin terminal block (provided) to cable.

Note: SVQ-CBL-250 shown



5

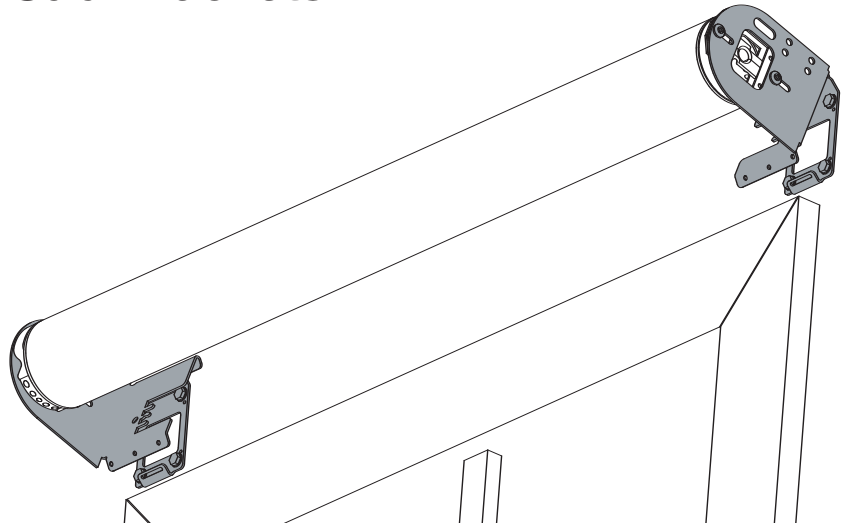
Mount Blind to Sub-Brackets



WARNING:

Blinds wider than 1.2 m (4 ft) require two people to install.

Note: If installing a coupled blind system, install the blind with the EDU first.



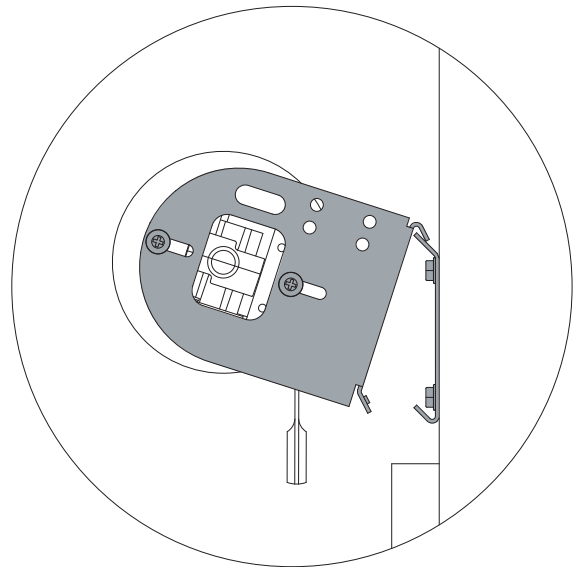
5.1

Remove retaining screws from blind brackets.

Note: Leave protective wrapping on blind during installation.

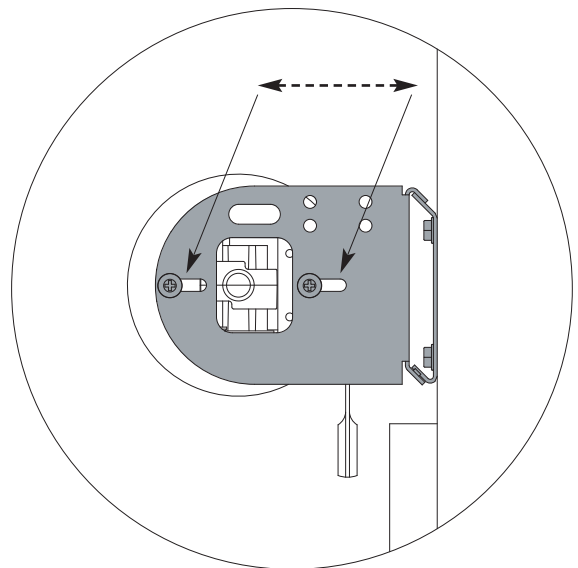
5.2

Hook the lip of each blind bracket onto the top of each sub-bracket.



5.3

Swing blind down until bottom of blind brackets rest against sub-brackets



5.4

Route cable wires from wall, ceiling or jamb between the blind bracket and the sub-bracket being careful not to pinch wire.

6 Center and Secure Blind

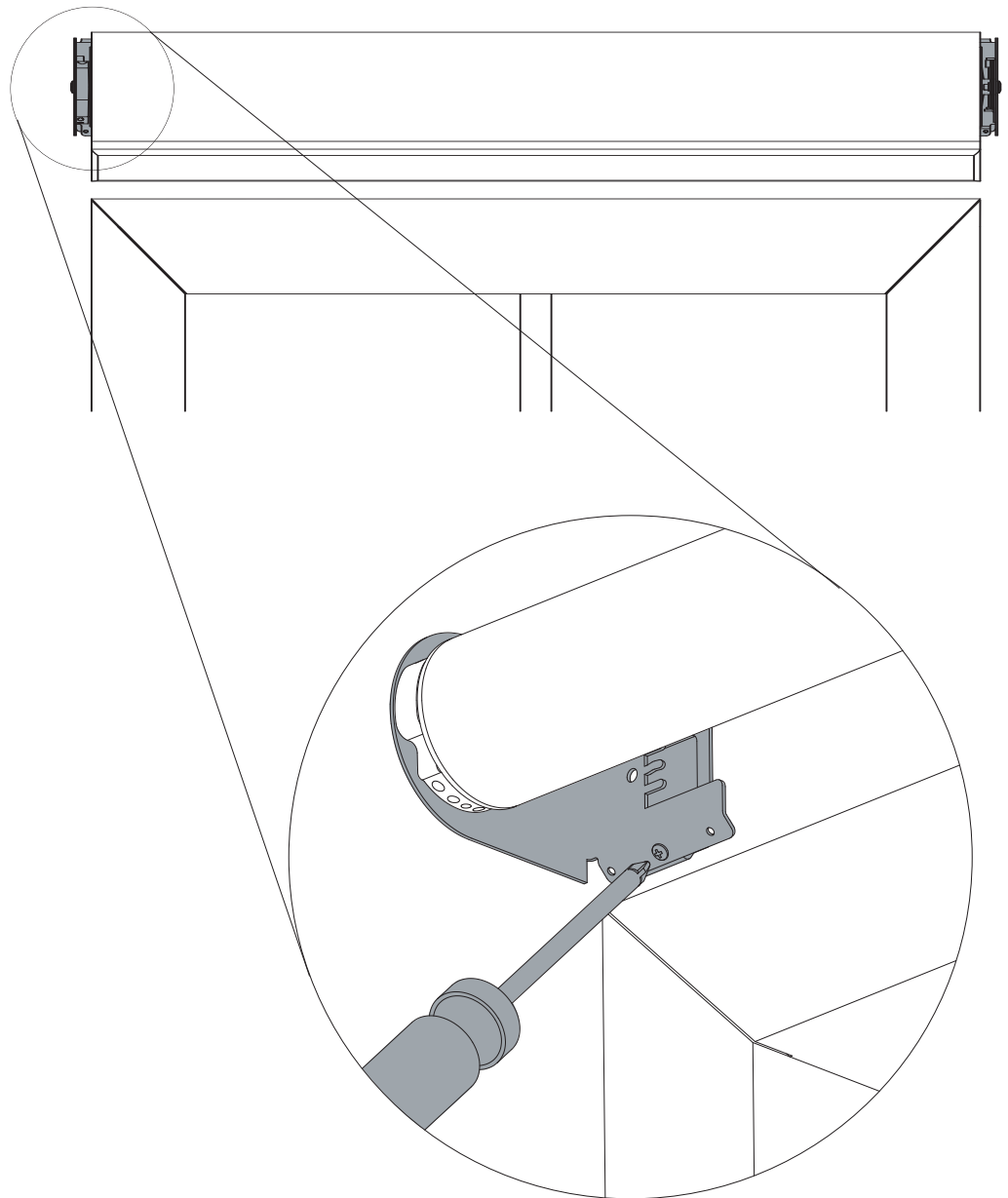
6.1

Move the blind left or right until centered.



WARNING:

Blind is not secured to the wall during the adjustment procedure. Extreme movement from side-to-side may cause blind to fall. Attention should be paid to the blind brackets' engagement into the sub-bracket as side-to-side movement is not restricted at this point. Blinds wider than 1.2 m (4 ft) require two people to center the blind.



6.2

Insert and tighten retaining screws on BOTH blind brackets to secure the blind into position. Screws should be tightened down all the way.



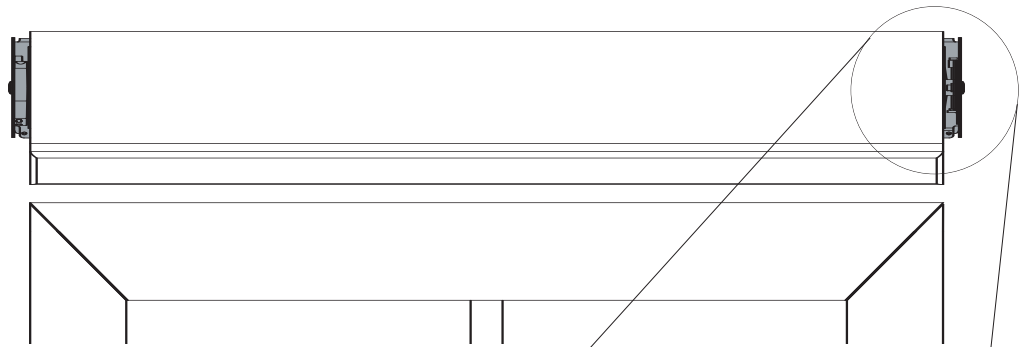
WARNING:

After installing retaining screws, gently push up and pull down on the roller blind to ensure a secure installation.

7 Adjust Blind Level

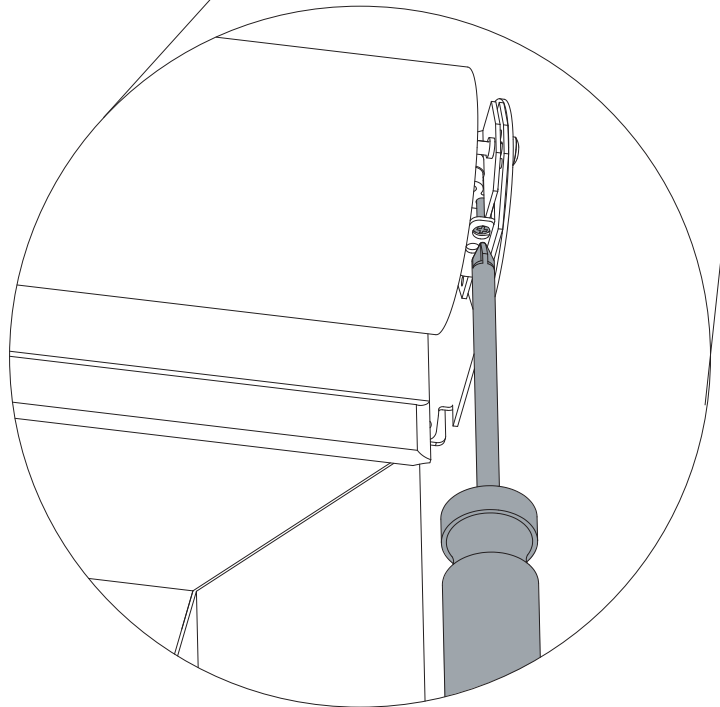
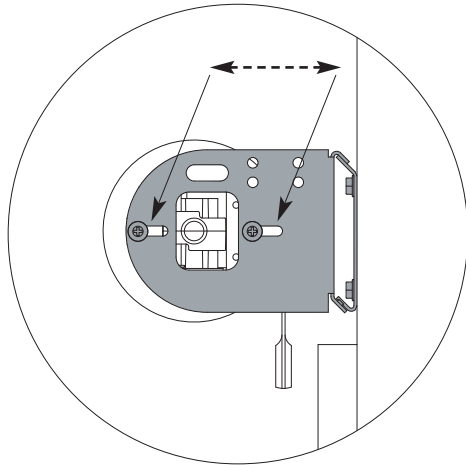
7.1

Turn leveling screw to raise or lower idler side of blind until level.



7.2

Adjust blind projection from window so that it clears any window trim or hardware when operating.



7.3

Confirm roller tube turns freely without rubbing on anything.

8

Connect Terminal Blocks

8.1

Plug 7-pin terminal block on cable into EDU terminal block attached to blind bracket.

Note: EDU terminal block clips onto blind bracket to hold connected terminal blocks in place.

8.2

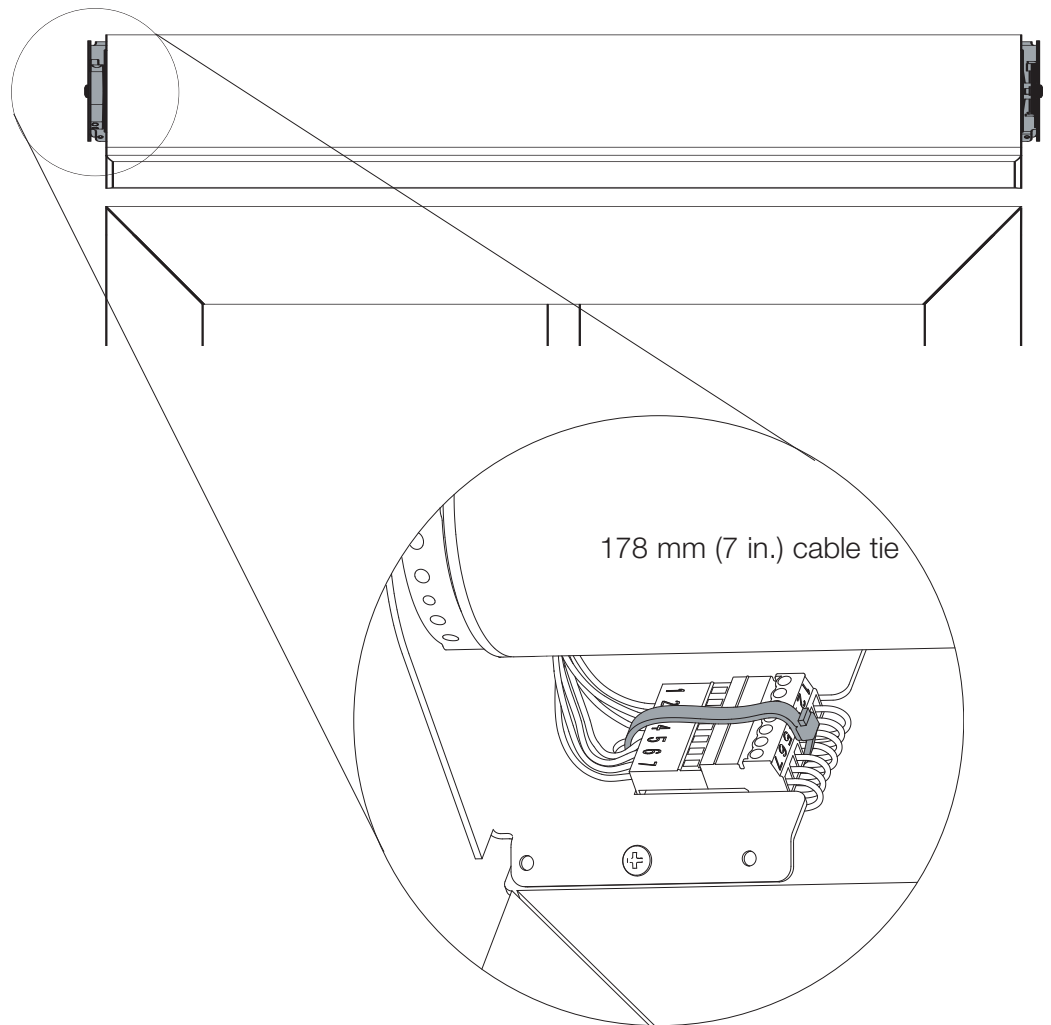
Ensure terminal blocks are oriented as shown.

8.3

Secure terminal blocks with 178 mm (7 in.) cable tie.

8.4

Use 102 mm (4 in.) Cable Ties to dress wires to prevent them from rubbing against shade fabric.



9

IR Receiver Connection (if applicable)

9.1

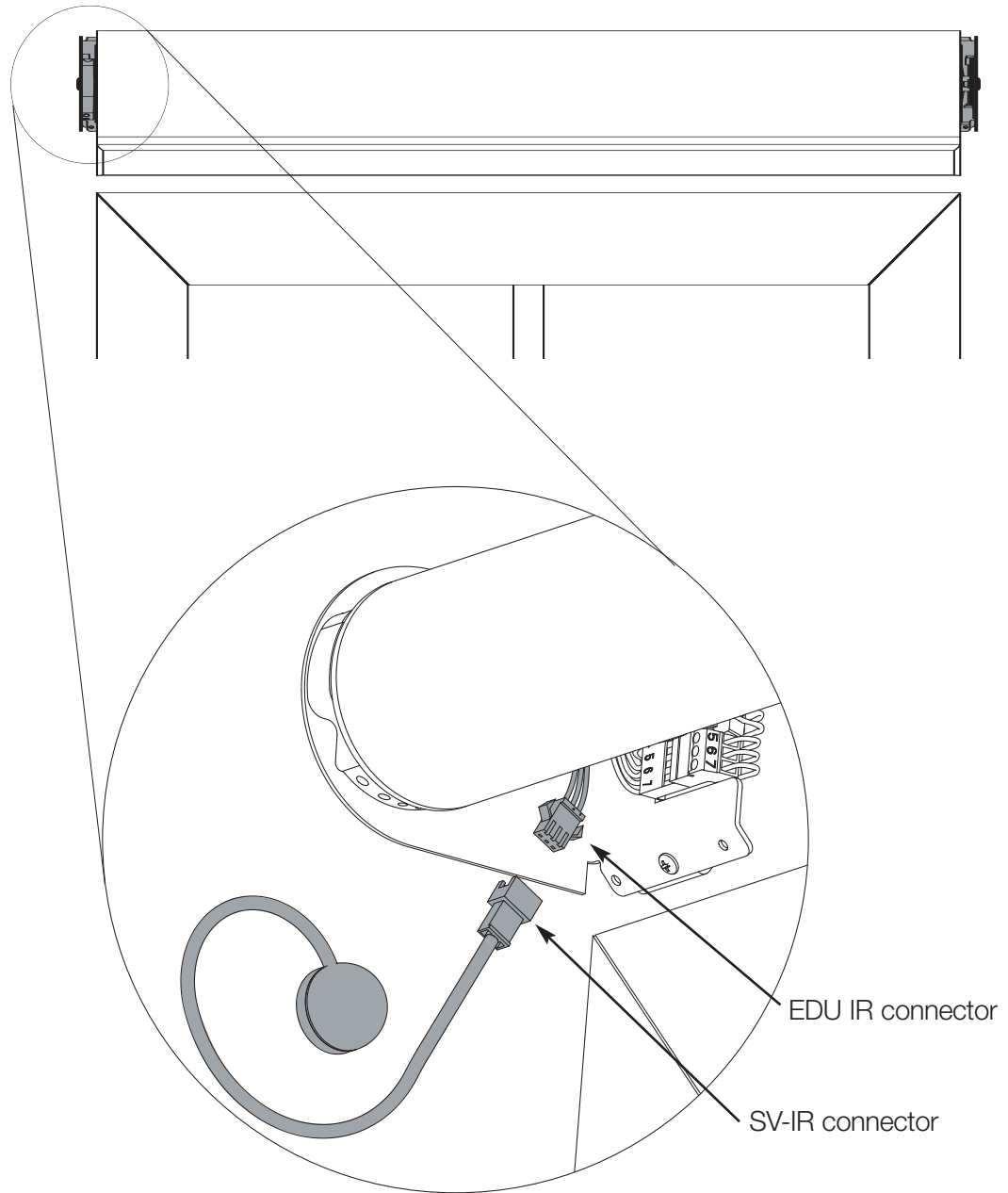
Plug in EDU IR connector to remote eye connector (SV-IR).

9.2

Position IR eye where it is not covered from view of remote control.

9.3

Ensure IR connector does not rub on blind.




10 Programming Setting Limits from the EDU

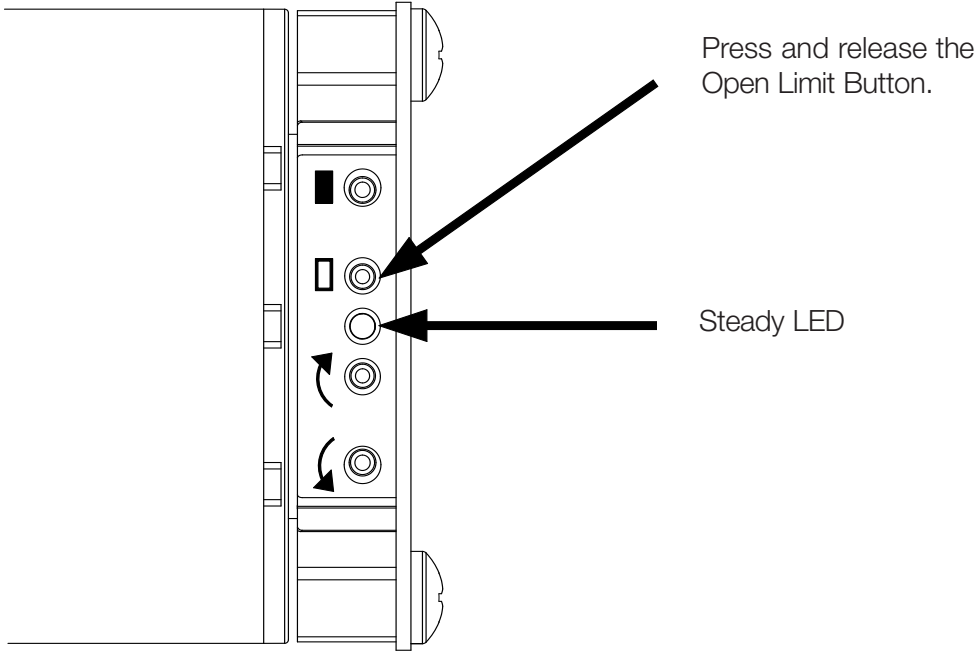
The Open and Close Limits determine how far an EDU will travel. When the open button is pressed on a Keypad, IR transmitter, or CCI, the EDU will move to the Open Limit. When the close button is pressed on a keypad, IR transmitter, or CCI, the EDU will move to the Close Limit. The EDU will not move higher than the Open Limit or lower than the Close Limit.

Note: Setting the Open Limit lower than the Close Limit will cause the blind to move down when raise is pressed and up when lower is pressed.

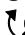

Setting the Open Limit from the EDU

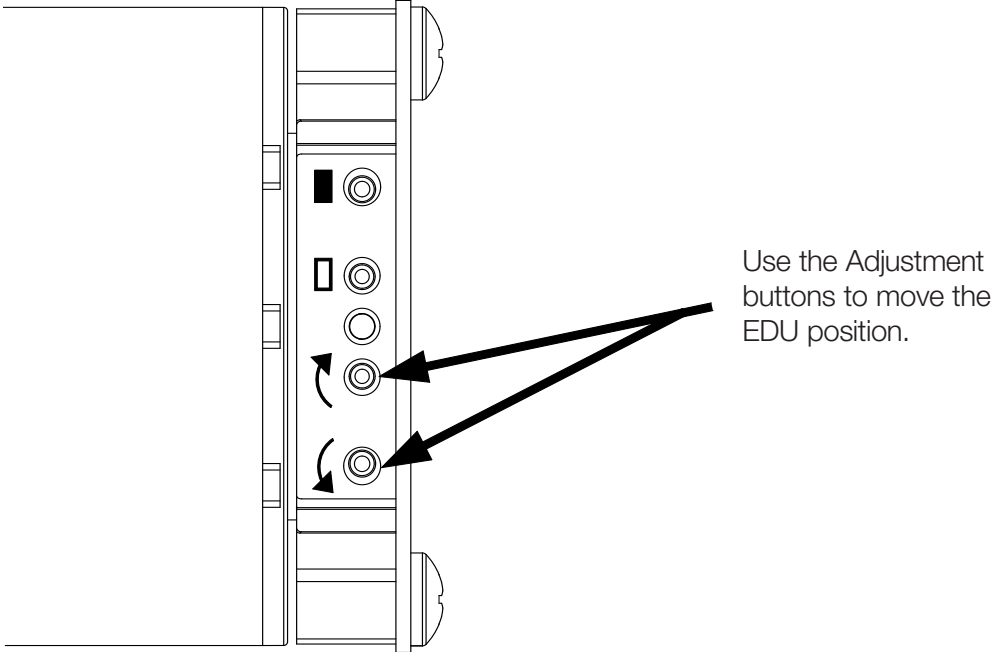
10.1

Press and release the “Open Limit Button” (), the LED on the roller Blind EDU will turn on steady, indicating that the EDU is in “Set Open Limit Mode”.



10.2


Adjust the position of the EDU to the desired Open Limit using the adjustment buttons ( ).

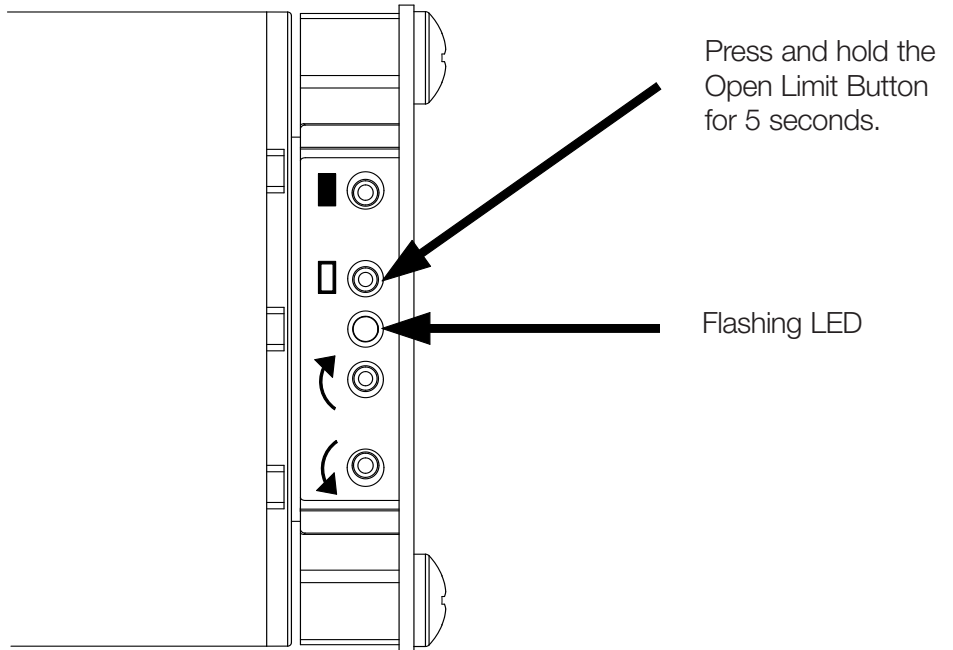


10 Programming Setting Limits from the EDU (continued)

Setting the Open Limit from the EDU


10.3

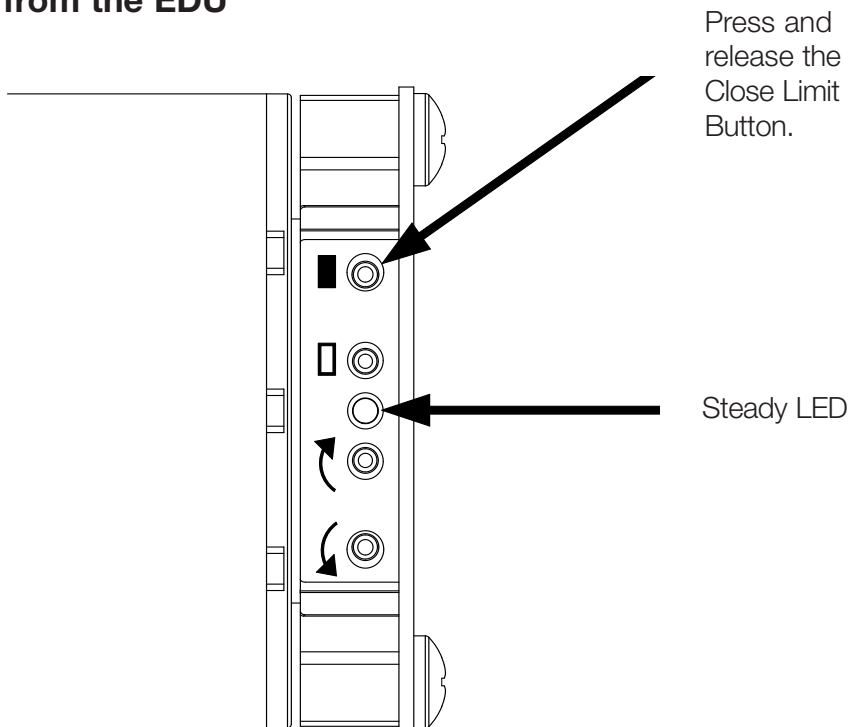
Press and hold the “Open Limit Button” () for 5 seconds. The LED on the roller blind EDU will flash for 2 seconds, then go dark, indicating that the current position has been stored as the Open Limit.



Setting the Close Limit from the EDU

10.4

Press and release the “Close Limit Button” (). The LED on the roller Blind EDU will turn on steady, indicating that the EDU is in “Set Close Limit Mode”.

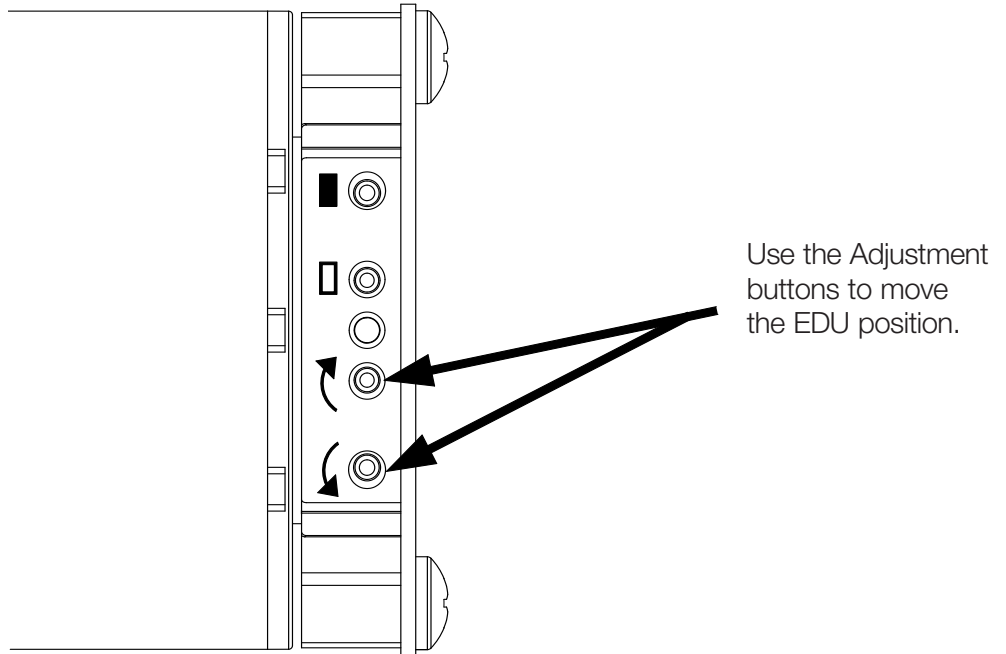


10 Programming Setting Limits from the EDU (continued)

Setting the Close Limit from the EDU

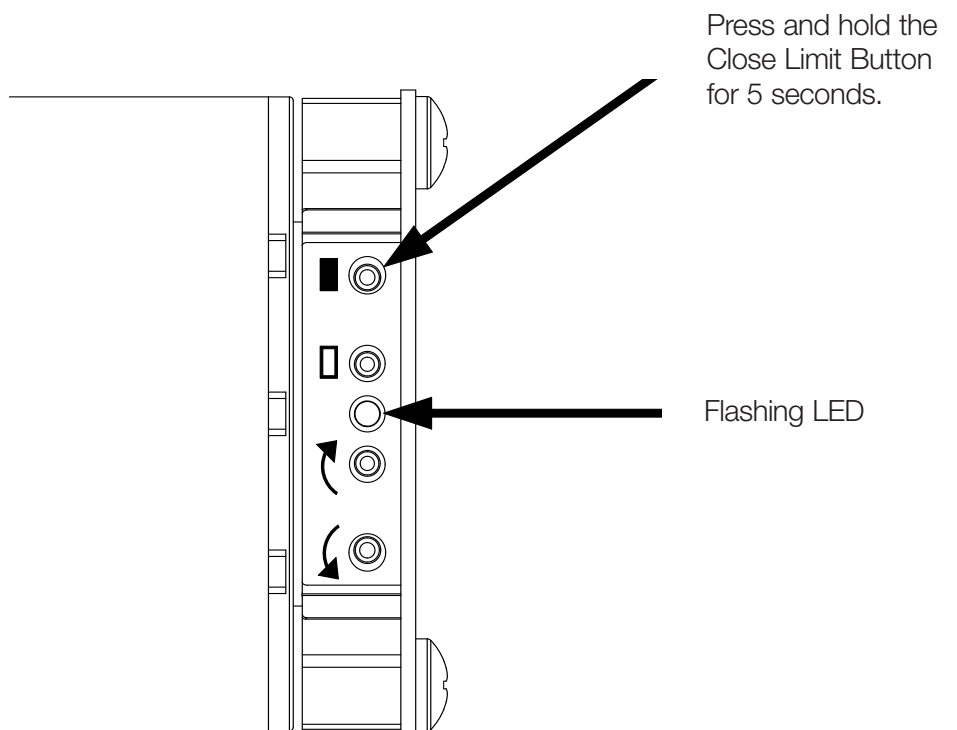
10.5

Adjust the position of the EDU to the desired Close Limit using the adjustment buttons (↶↷).



10.6

Press and hold the “Close Limit Button” (■) for 5 seconds. The LED on the roller blind EDU will flash for 2 seconds, then go dark, indicating that the current position has been stored as the Close Limit.



Finish System Programming

The Sivoia QED blind is now installed, wired, and the OPEN/CLOSE limits for each blind have been set.

The next step is to finish programming the system.

Use the instructions in the **Wiring and Programming Guide** (p/n 045-038-12) and perform these four easy steps:

1. **Address the system.** This gives each EDU, keypad and contact closure interface in the system a unique address number or “name”, allowing proper communication between components.
2. **Verify wiring** of each EDU, keypad and interface using the LED feedback from each system component.
3. **Assign blinds** (EDUs) to keypads, IR hand controls and/or contact closure interfaces. Tell system which blinds (EDUs) respond to which keypads and IR hand controls and contact closure Interfaces.
4. **Set and save PRESET blind positions** if you desire them to be different from the factory defaults.

12 Troubleshooting

<u>Symptom</u>	<u>Solution</u>
EDU will not move...	...EDU is not powered - check EDU Power. ...Blind is caught on something - free blind. ...Blind is not assigned to keypad, IR, or CCI. ...Limits set at same place.
Blind does not fully open or fully close...	...Limits have been set incorrectly - refer to “set open limit” and “set close limit” sections. ...Blind fabric is caught on something - free blind.
Fabric not level...	...Adjust using level adjustment screw. ...Check that brackets are mounted level. ...Check that fabric is tracking correctly on the blind tube.
Fabric not centered over window...	...Center blind using center adjustment. ...Check that brackets are centered.
Blind does not move smoothly...	...Check for binding of blind fabric on side channels. ...Check fabric tracking.
IR controls will not operate blind...	...IR transmitter does not have line-of-sight to IR receiver. ...Out of range - move to within 12 m (40 ft) of IR receiver. ...EDUs not assigned to IR receiver. ...IR receiver not plugged into any EDU within range. ...Batteries are not providing power, replace them. ...IR receiver not properly oriented.

Technical Assistance

WORLD HEADQUARTERS

Lutron Electronics Co., Inc.
7200 Suter Road
Coopersburg, PA 18036
United States
Tel: +1-610-282-3800
Fax: +1-610-282-1243

ASIAN HEADQUARTERS

Lutron GL Ltd.
15 Hoe Chiang Road
#07-03 Tower Fifteen
Singapore 089316
Tel: +65-6220-4666
Fax: +65-6220-4333
lutronsea@lutron.com

EUROPEAN HEADQUARTERS

Lutron EA Ltd.
6 Sovereign Close
London, E1W 3JF
United Kingdom
Tel: +44-(0)20-7702-0657
Fax: +44-(0)20-7480-6899

CUSTOMER SERVICE/ORDERING

UK +44-(0)20-7702-0657 –
09.00 - 18.00 GMT
USA +1-610-282-3800 –
08.00 - 20.00 EST

CUSTOMER SERVICE /E-MAIL

shadinginfo@lutron.com

TECHNICAL SUPPORT & SERVICES

USA +1-610-282-3800 –
24 hours/7 days
UK +44-(0)20-7702-0657
09.00 - 18.00 GMT

INTERNET:

www.lutron.com

ADDITIONAL LUTRON SALES OFFICES:

Germany

Tel: +49-309-710-4590
Fax: +49-309-710-4591
FREEPHONE
00800-5887 6635

France

Lutron Ltc, S.A.R.L.-Paris
90 rue Villiers
92300 Levallois Perret,
France
Tel: +33-1-41-05-42-80
Fax: +33-1-41-05-01-80
FREEPHONE: 0800.90.12.18
lutronfrance@lutron.com

Spain-Madrid

Tel: +34-91-567-84-79
Fax: +34-91-567-84-78
FREEPHONE 0900-948-944

Spain-Barcelona

Tel: +34-93-496-57-42
Fax: +34-93-496-57-50
FREEPHONE 0900-948-944

Hong Kong

Tel: +852-2104-7733
Fax: +852-2104-7633

Beijing

Tel: +86-10-5877-1817
Fax: +86-10-5877-1816

Singapore

LUTRON GL Ltd. -
Singapore
15 Hoe Chiang Road
#7-03 Tower 15
Singapore 089316
Tel: +65-6220-4666
Fax: +65-6220-4333

Japan

Tel: +81-3-5575-8411
Fax: +81-3-5575-8420

These products may be covered by one or more of the following US patents:

5,671,387; 6,100,659

and corresponding foreign patents. US and foreign patents pending.

Lutron, the Sunburst logo, Sivoia and Sivoia QED are registered trademarks.

©2007 Lutron Electronics Co., Inc.

Printed in the U.S.A.

P/N 045-102-12 Rev. A

