

**Sivoia QED<sup>®</sup>**  
Installation  
Instructions

**Jamb Mount  
Roller Blind**

**Note: If installing a coupled system,  
use In-Line Coupled Roller  
Blind Addendum as the  
primary installation guide.**

 **LUTRON**

# Sivoia QED® | jamb mount

## Installation Instructions

---

### Tools Required:

Tape Measure	1/4 in. Hex-Head Driver
Wire Cutter/Stripper	Level
Pliers	Power Drill
#2 Phillips Screwdriver	

### Notes:

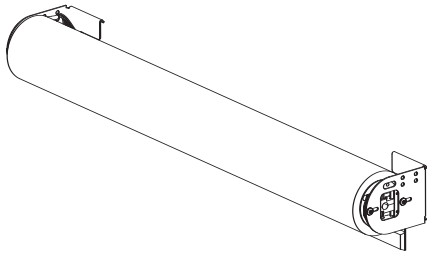
---

- 1) For In-Line Coupled Blind Systems, begin with Sivoia QED In-Line Coupled Roller Blind Addendum, P/N 045-105-12. The Addendum will indicate when to use this document.
- 2) Complete wiring and programming information can be found in the Sivoia QED Wire and Programming Guide, P/N 045-038-12 or at [www.lutron.com](http://www.lutron.com).
- 3) The Electronic Drive Unit (EDU) will need to be powered to complete installation.

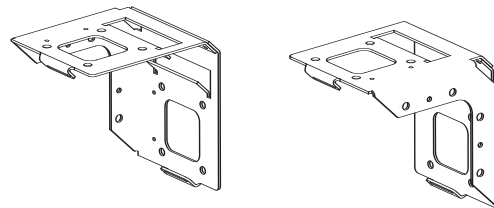
### Box Contents:

---

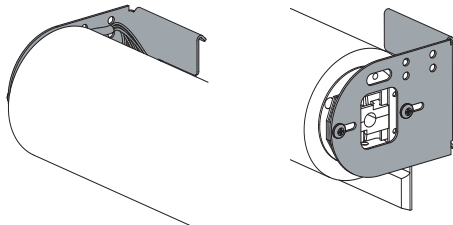
Sivoia QED® Roller Blind



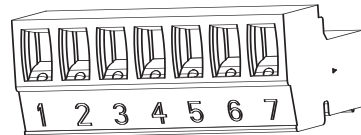
(2) Jamb Sub-Brackets



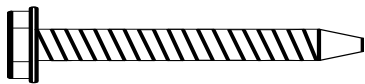
Left and Right Side Blind Brackets (attached)



(1) 7 Pin Terminal Block



(8) Mounting Screws  
(#8x44 mm (#8x1-3/4 in.) Hex Head Screws)



(Actual Size)

(2) Extra Retaining Screws  
(#6x6 mm (#6x1/4 in.) Phillips Head Screws)

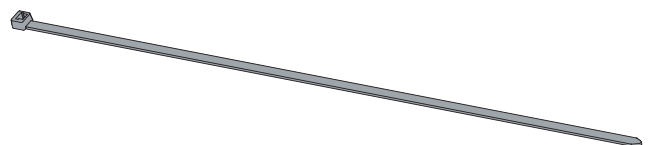


(Actual Size)

(2) (102 mm (4 in.) Cable Ties



(2) (178 mm (7 in.) Cable Ties




# 1 Match Blind to Window


## 1.1

Confirm system dimensions on package label and window dimensions to verify appropriate window/blind combination.

Package Label

WO# 

**LUTRON**

PO: 


Tag:

Item #:

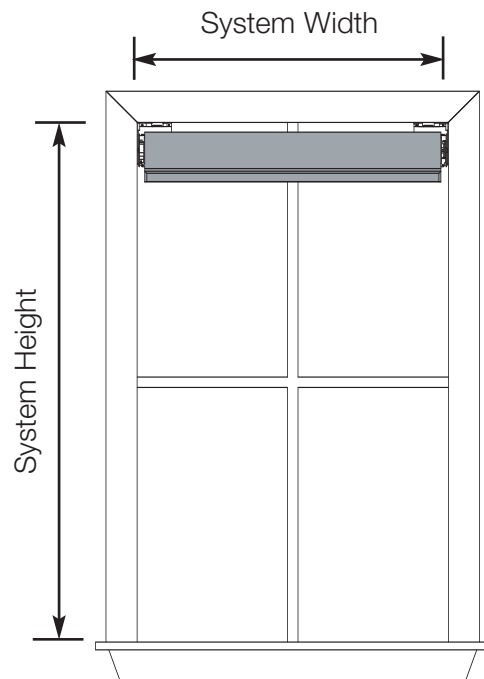
Wid":  SW  Ht":

Item Tag: of Boxes:

**LUTRON Shading Solutions**  
**800-446-1503**

  
00181117 001 001 03/13/03

Checked by:



## 2

## Pre-drill for Cable

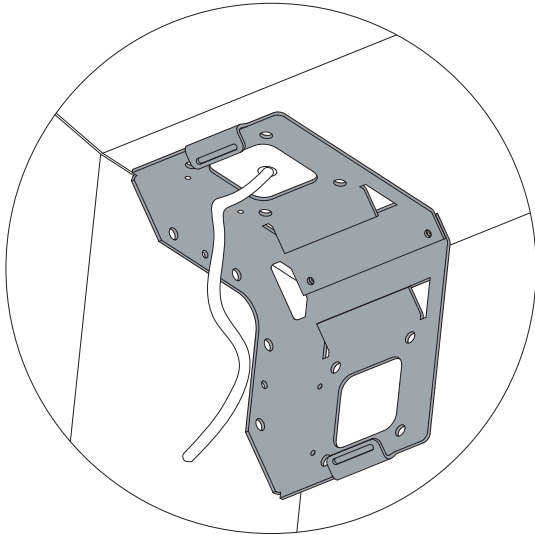
### 2.1

Determine where to drill for cable access. See options below.

Cable should exit from wall, ceiling or jamb on EDU side of system.

**Note:** Leave 305-457 mm (12-18 in.) of cable exposed.

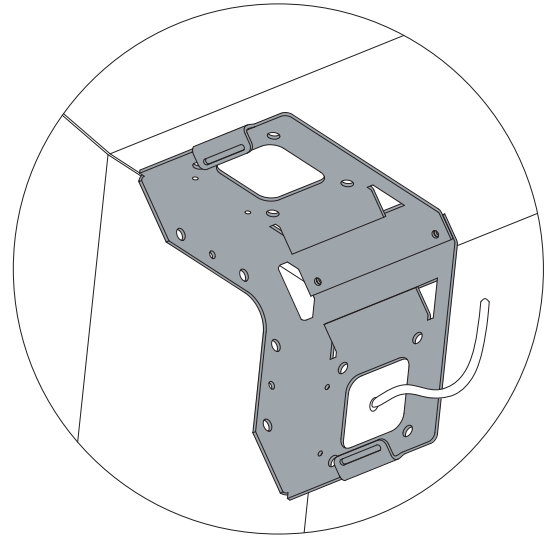
#### Ceiling



#### Ceiling

Drill for cable 64-76 mm (2 1/2 in. - 3 in.) from back of the system and 32-57 mm (1 1/4 in. - 2 1/4 in.) from end of the system.

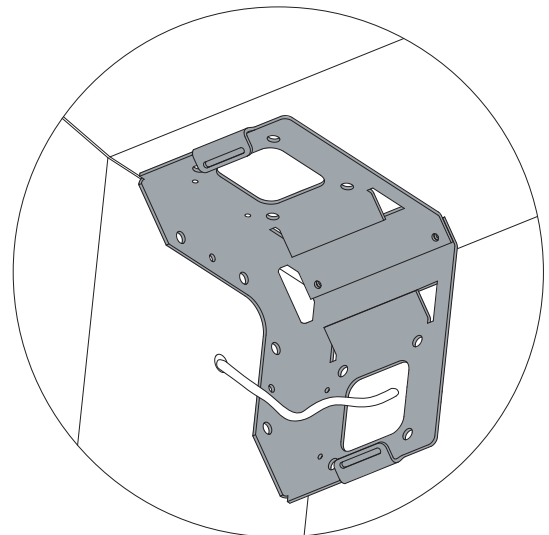
#### Wall



#### Wall

Drill for cable 64-76 mm (2 1/2 in. - 3 in.) from top of the system and 32-57 mm (1 1/4 in. - 2 1/4 in.) from end of the system.

#### Jamb



#### Jamb

Drill for cable 51 mm (2 in.) from top of the system and 51 mm (2 in.) from end of the system.

# 3

## Mount Sub-Brackets

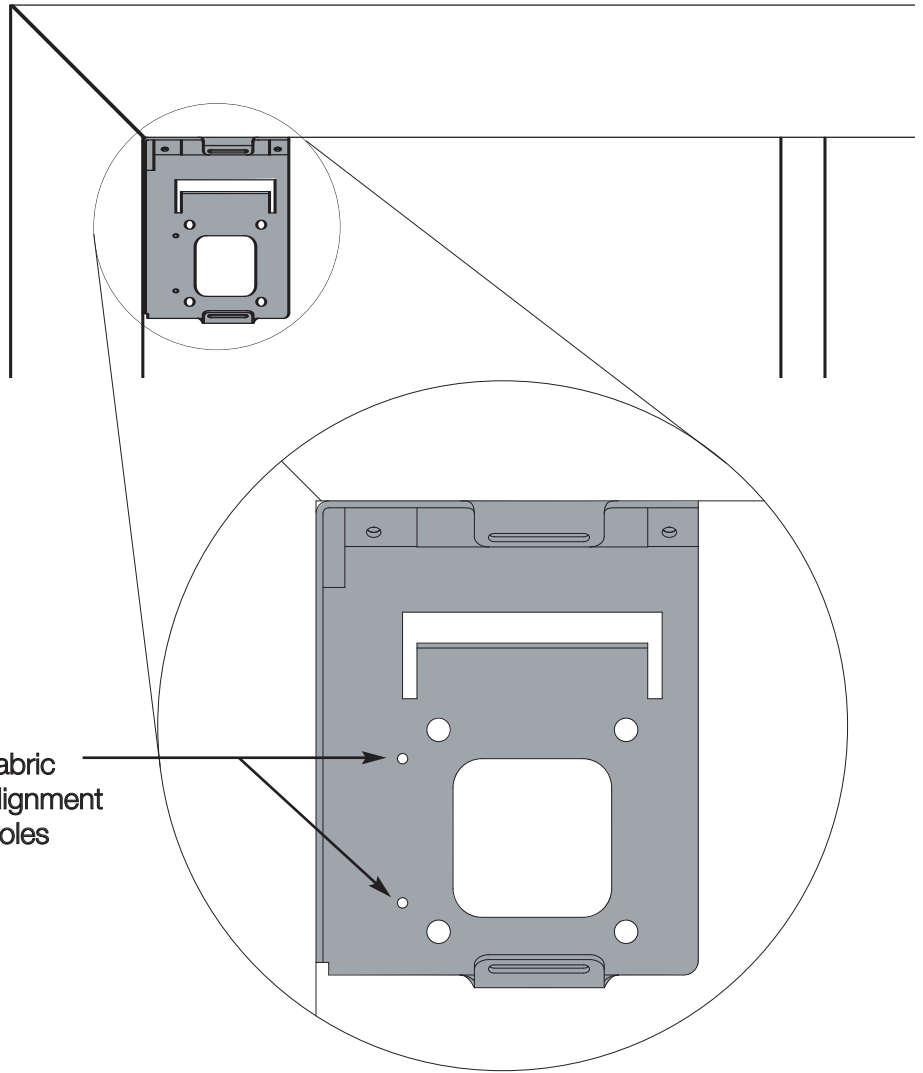
### 3.1

Use fabric alignment holes to position the sub-bracket right to left. The fabric alignment holes will line up with the outside edge of the fabric panel.

**Note:** Fabric edge may not line up with edge of tube.

**Note:** Distance between fabric edge and end of system is 19 mm (3/4 in.) per side.

Fabric  
Alignment  
Holes



### 3.2

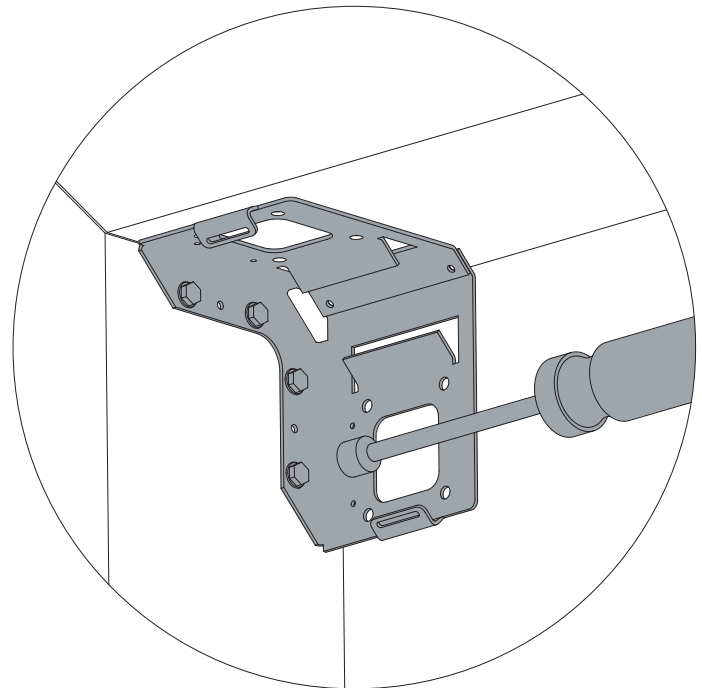
Once their position has been established, mount sub-brackets using appropriate fasteners.



#### **WARNING:**

The sub-brackets for each blind tube should be mounted to support a weight of at least 136 kg (300 pounds). The fasteners provided with the sub-brackets may not be appropriate for use in all applications.

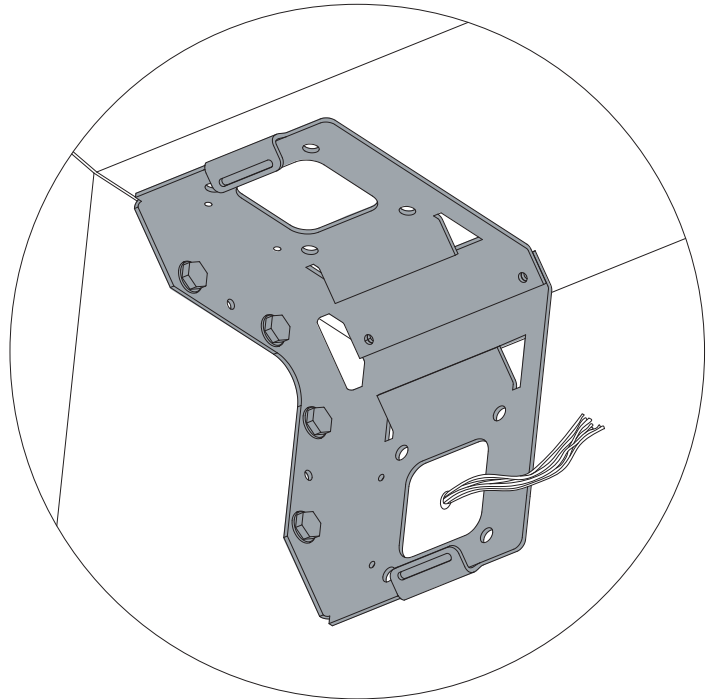
**Note:** If sub-bracket position is not flush to jamb as shown to the left, sub-bracket can be mounted to ceiling or rear wall using appropriate fasteners.



# 4 Wire 7-Pin Terminal Block

## 4.1

Strip jacket off entire length of exposed cable. (305-457 mm or 12-18 in.)

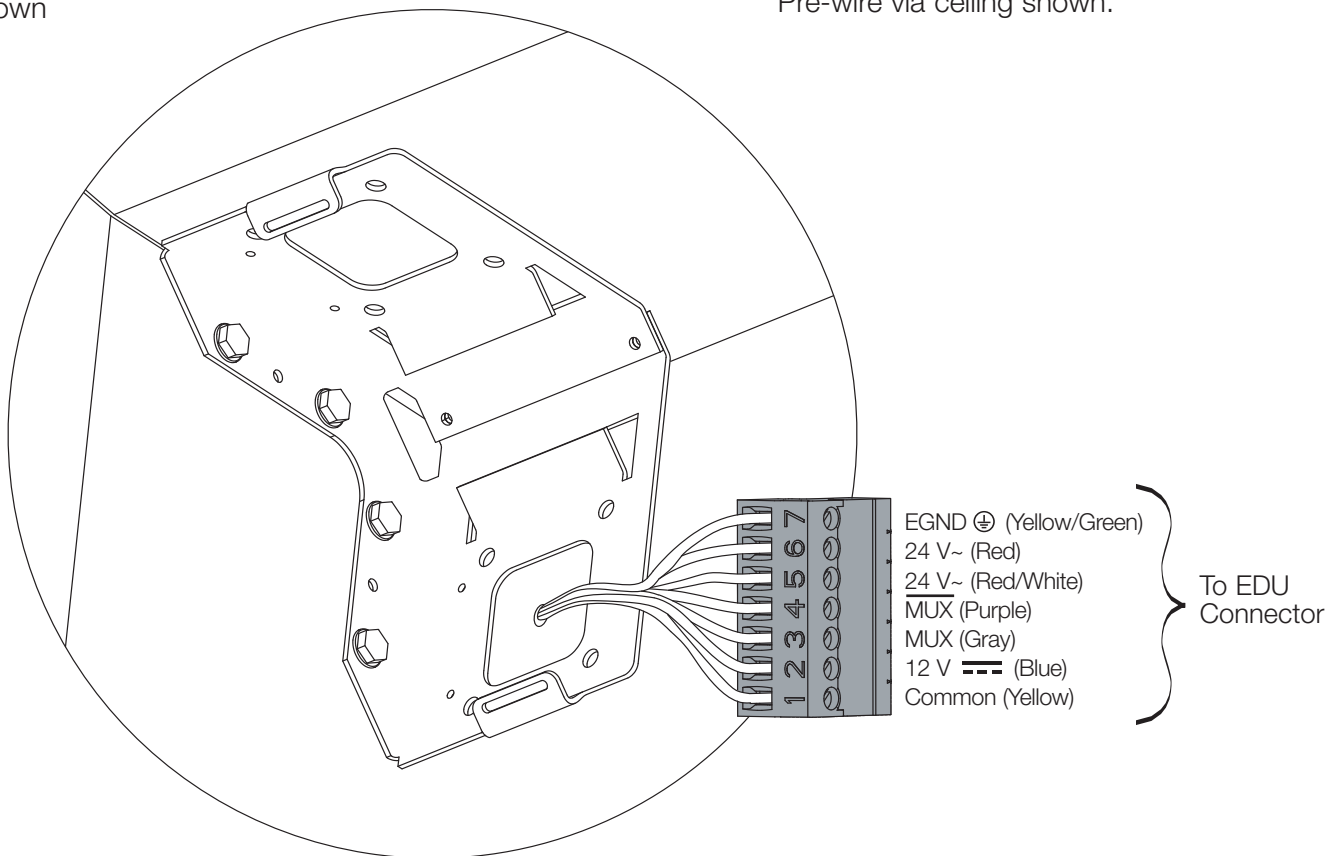


## 4.2

Wire 7-Pin terminal block (provided) to cable.

**Note:** SVQ-CBL-250 shown

Pre-wire via ceiling shown.



# 5

## Mount Blind to Sub-Brackets



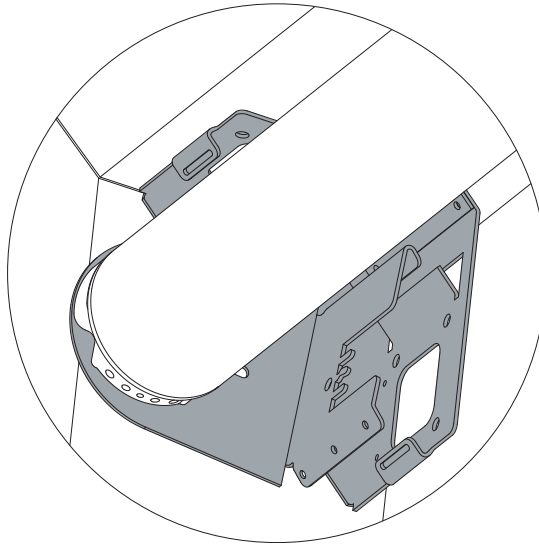
### **WARNING:**

Blinds wider than 1.2 m (4 ft) require two people to install.

**Note:** If installing a coupled blind system, install the blind with the EDU first.

### 5.1

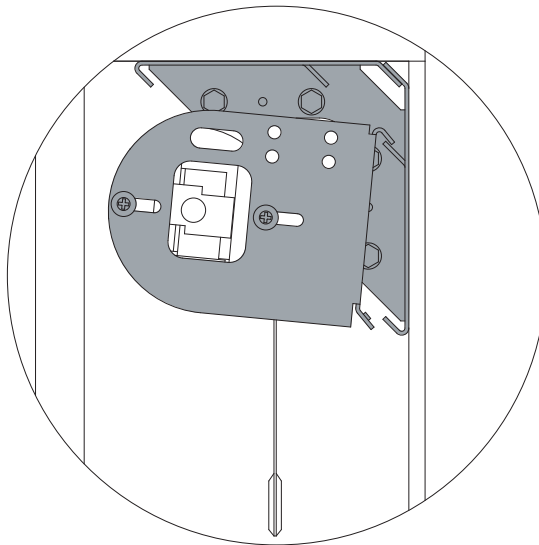
Remove retaining screws from blind brackets.



**Note:** Leave protective wrapping on blind during installation.

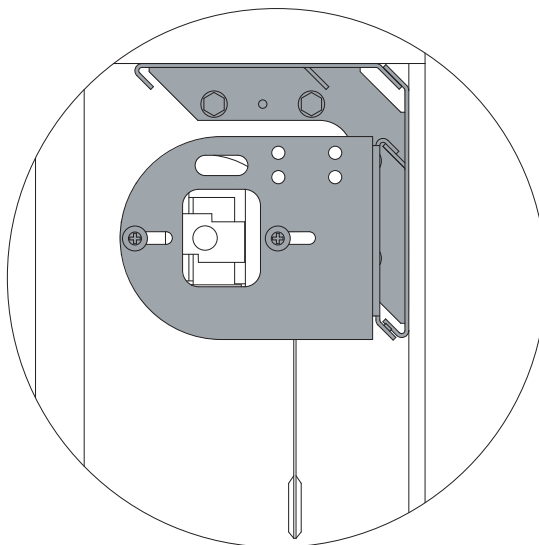
### 5.2

Hook the lip of each blind bracket onto the top of each sub-bracket.



### 5.3

Swing blind down until bottoms of blind brackets rest against sub-brackets.



### 5.4

Route cable wires from wall, ceiling or jamb between the blind bracket and the sub-bracket being careful not to pinch wire.

## 6 Center and Secure Blind

### 6.1

Move the blind left or right until centered.



#### **WARNING:**

Blind is not secured to the wall during the adjustment procedure. Extreme movement from side-to-side may cause blind to fall. Attention should be paid to the blind brackets' engagement into the sub-bracket as side-to-side movement is not restricted at this point. Blinds wider than 1.22 m (4 ft) require two people to center the blind.

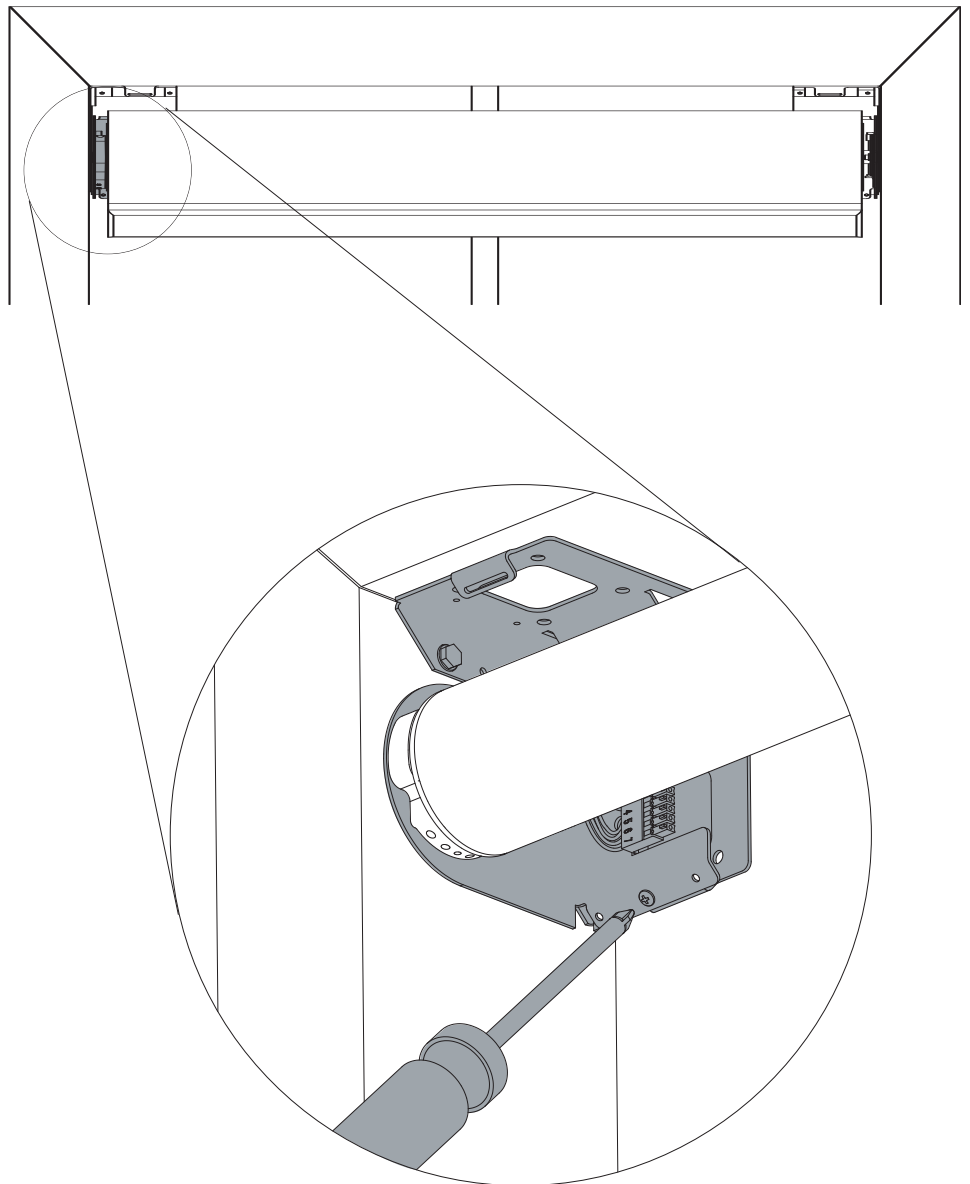
### 6.2

Insert and tighten retaining screws on BOTH blind brackets to secure the blind into position. Screws should be tightened down all the way.



#### **WARNING:**

After installing retaining screws, gently push up and pull down on the roller blind to ensure a secure installation.



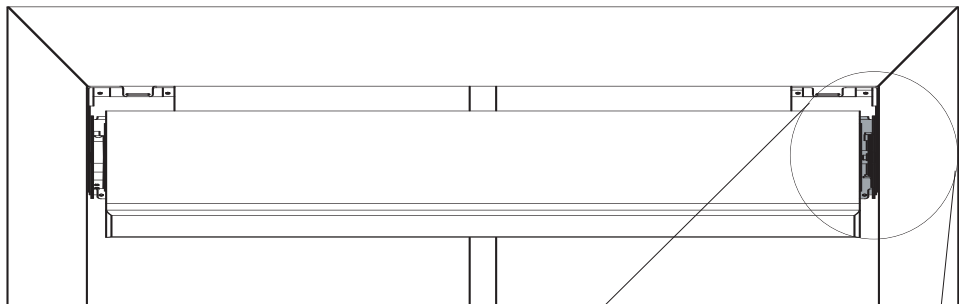


# 7

## Adjust Blind Level

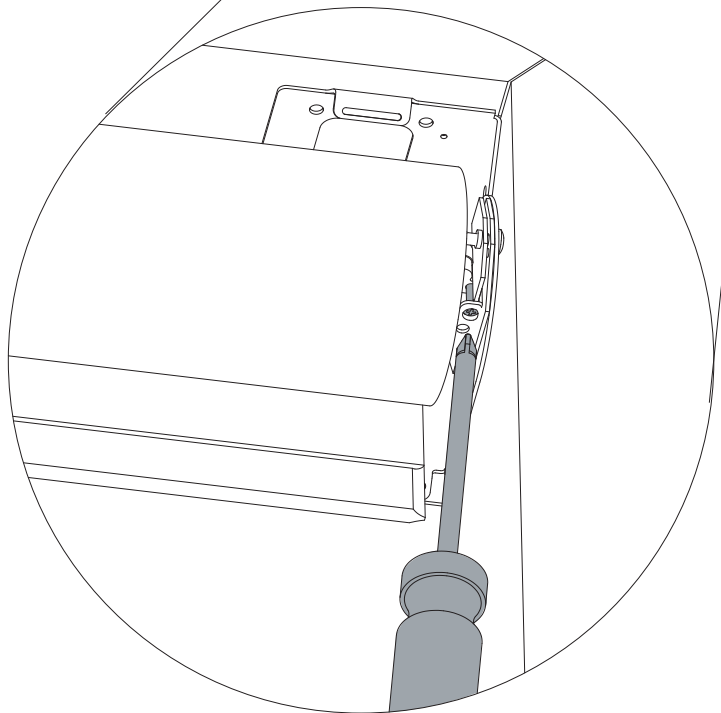
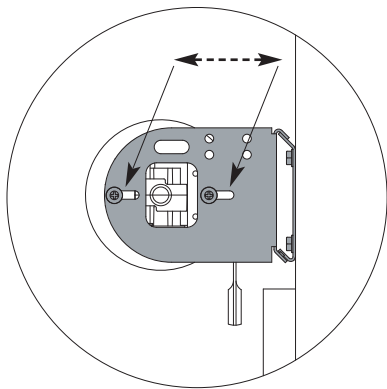
### 7.1

Turn leveling screw to raise or lower idler side of blind until level.



### 7.2

Adjust blind projection from window so that it clears any window trim or hardware when operating.

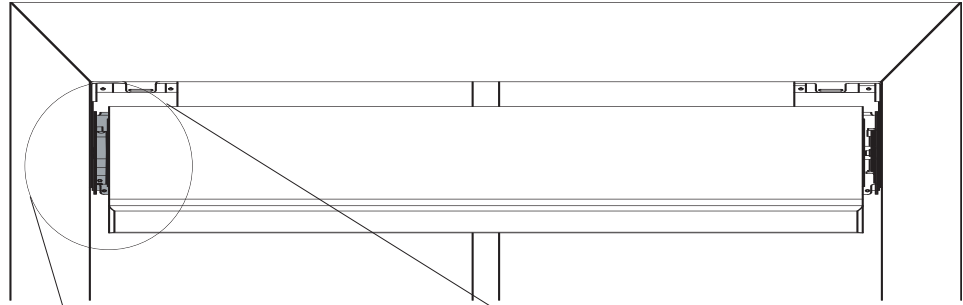


### 7.3

Confirm roller tube turns freely without rubbing on anything.

# 8

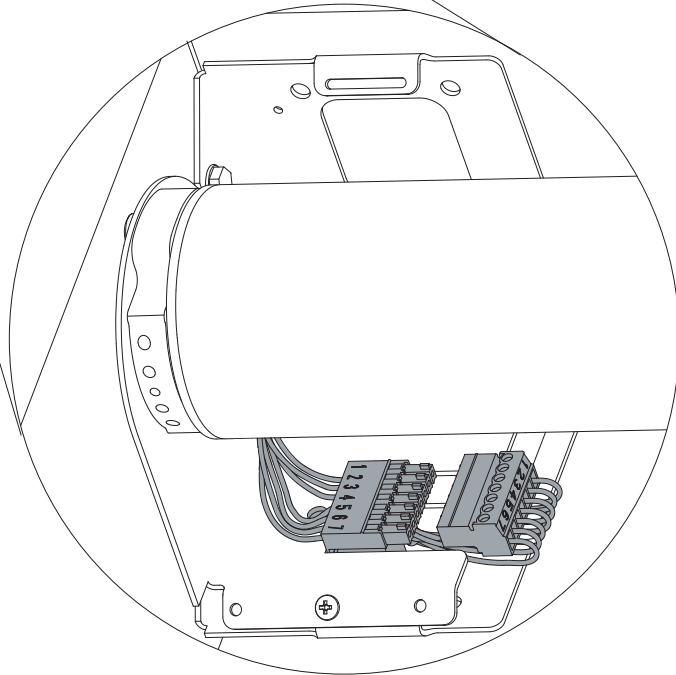
## Connect Terminal Blocks



### 8.1

Plug 7-pin terminal block on cable into EDU terminal block attached to blind bracket.

**Note:** EDU terminal block clips onto blind bracket to hold connected terminal block in place.



### 8.2

Ensure terminal blocks are oriented as shown.

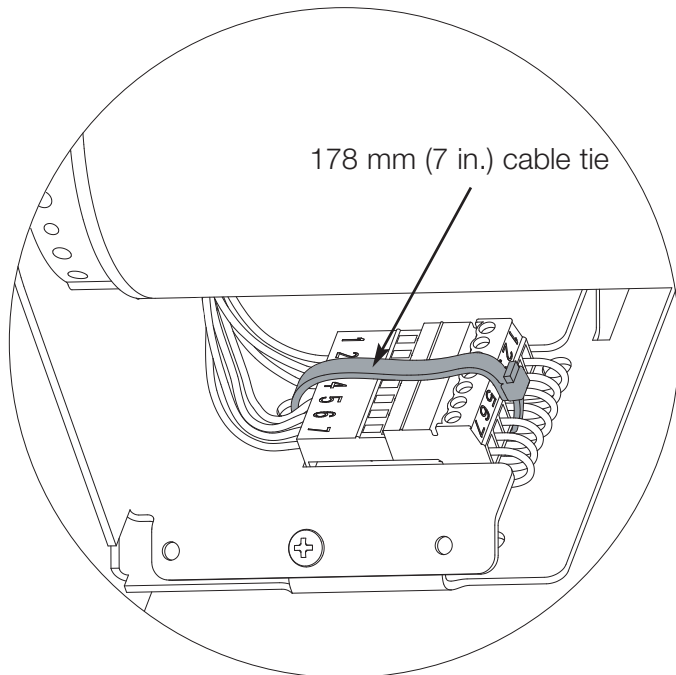
### 8.3

Secure terminal block with 178 mm (7 in.) cable tie.

### 8.4

Use 102 mm (4 in.) Cable Ties to dress wires to prevent them from rubbing against blind fabric.

**Note:** If installing a coupled blind system, go to Section 3 of the In-Line Coupled Roller Blind Addendum.



# 9

## IR Receiver Connection (if applicable)

### 9.1

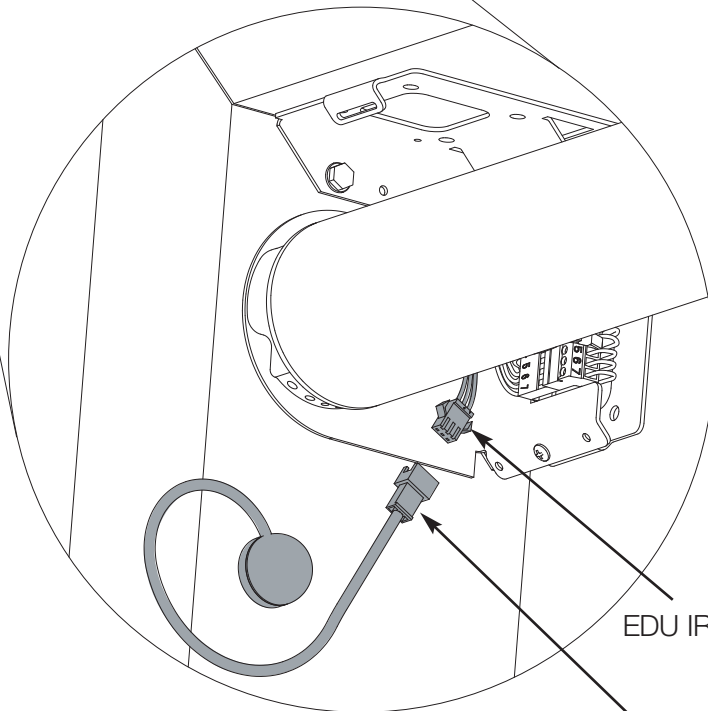
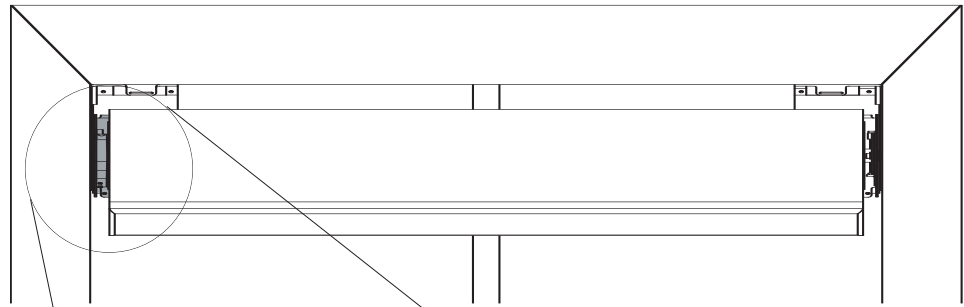
Plug in EDU IR connector to remote eye connector (SV-IR).

### 9.2

Position IR eye where it is not covered from view of remote control.

### 9.3

Ensure IR connector does not rub on blind.



EDU IR connector

SV-IR connector


# 10 Programming Setting Limits from the EDU

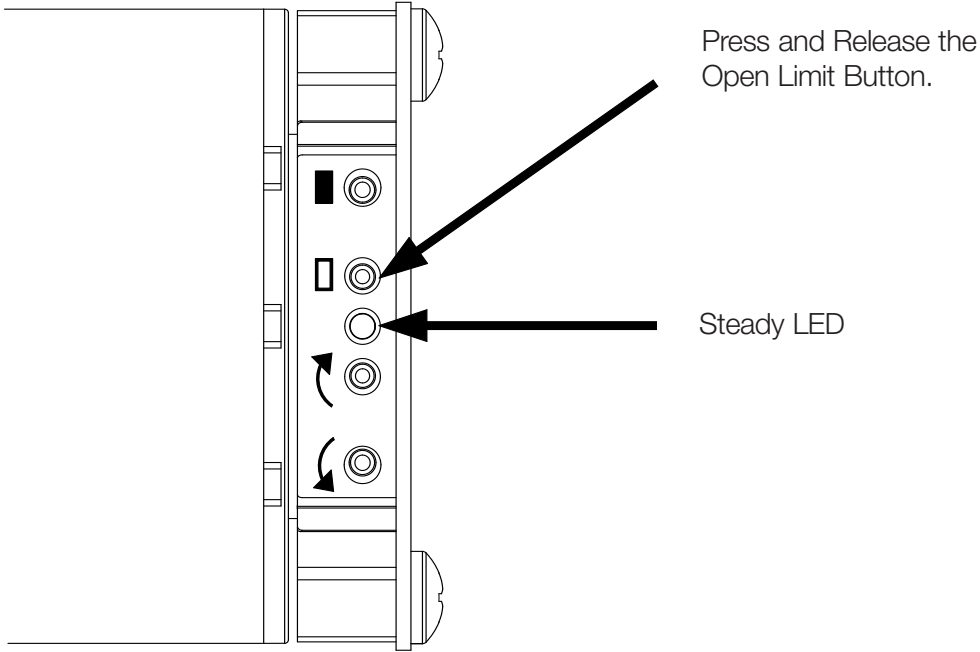
The Open and Close Limits determine how far an EDU will travel. When the open button is pressed on a Keypad, IR transmitter, or CCI, the EDU will move to the Open Limit. When the close button is pressed on a keypad, IR transmitter, or CCI, the EDU will move to the Close Limit. The EDU will not move higher than the Open Limit or lower than the Close Limit.

**Note: Setting the Open Limit lower than the Close Limit will cause the blind to move down when raise is pressed and up when lower is pressed.**


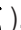
## Setting the Open Limit from the EDU

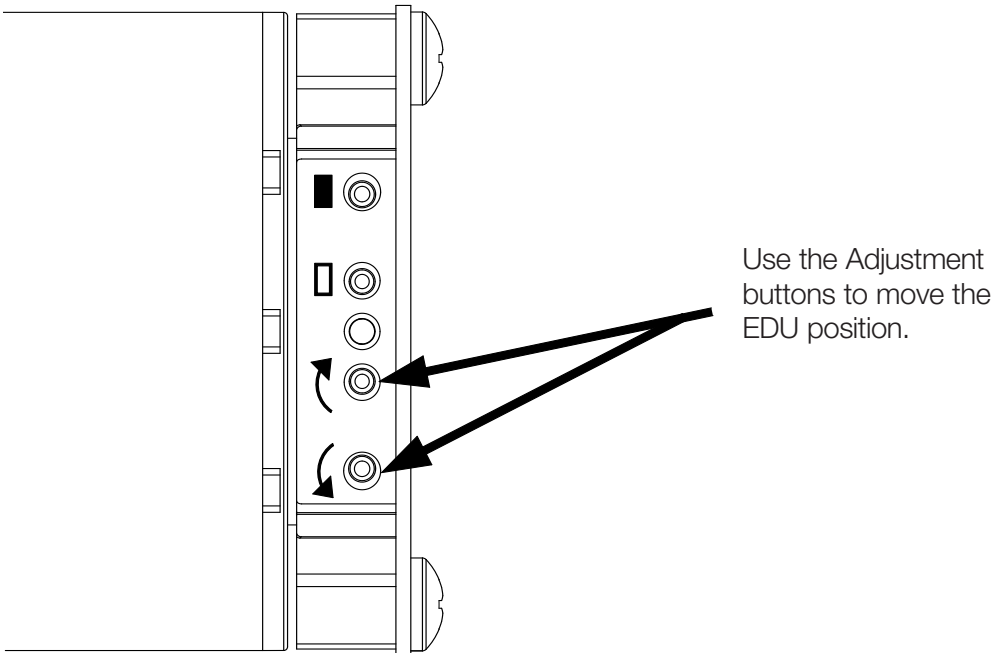
### 10.1

Press and release the “Open Limit Button” (  ), the LED on the roller Blind EDU will turn on steady, indicating that the EDU is in “Set Open Limit Mode”.



### 10.2


Adjust the position of the EDU to the desired Open Limit using the adjustment buttons (   ).

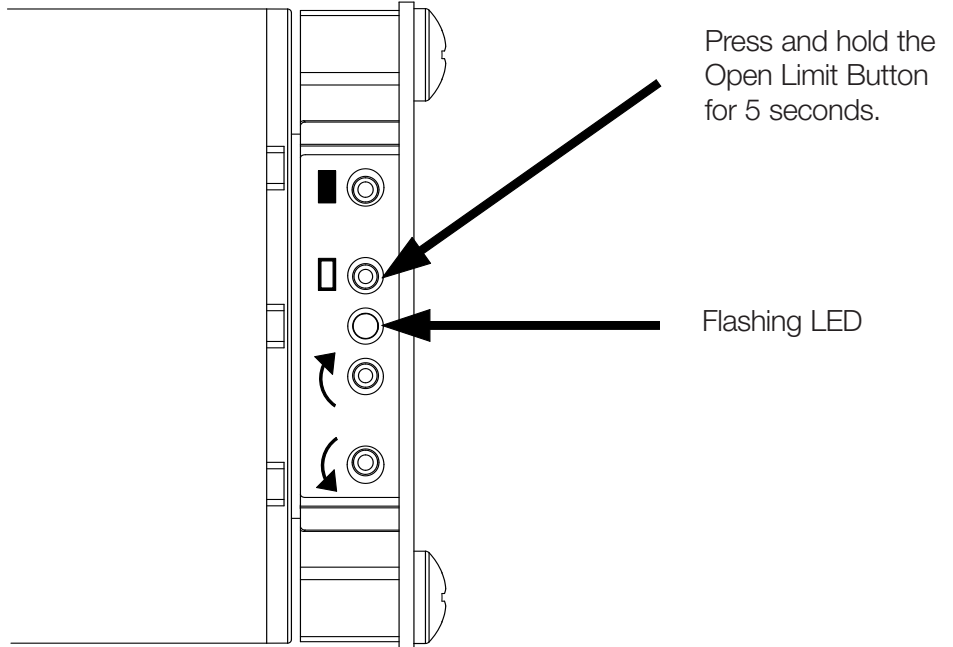


# 10 Programming Setting Limits from the EDU (continued)

## Setting the Open Limit from the EDU


### 10.3

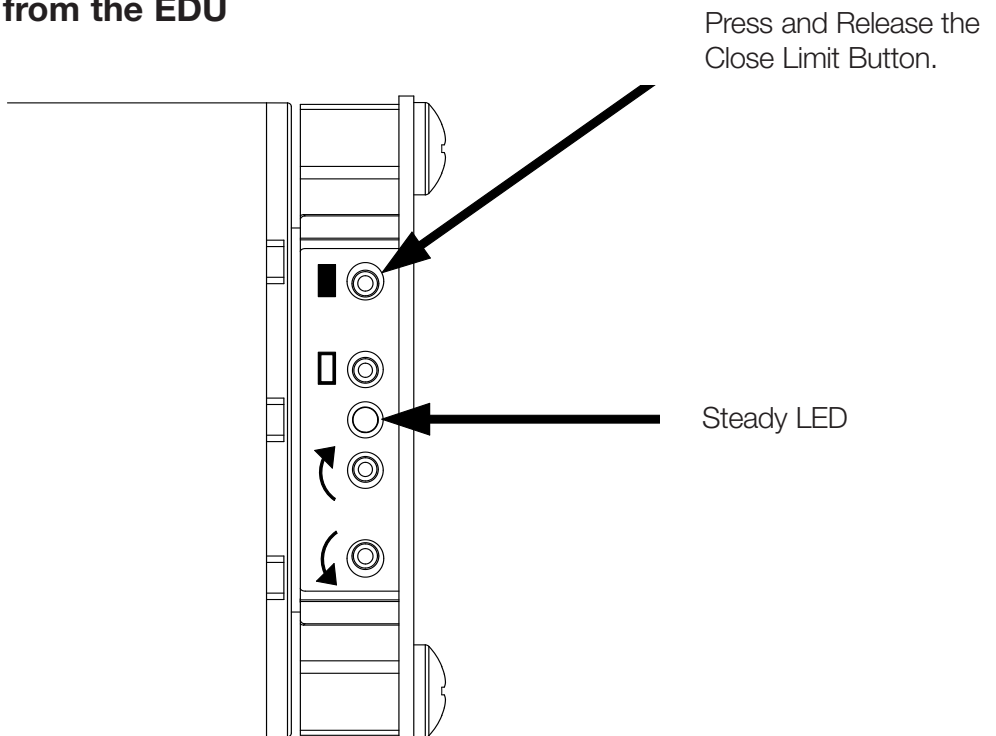
Press and hold the “Open Limit Button” (  ) for 5 seconds. The LED on the roller blind EDU will flash for 2 seconds, then go dark, indicating that the current position has been stored as the Open Limit.



## Setting the Close Limit from the EDU

### 10.4

Press and release the “Close Limit Button” (  ), the LED on the roller Blind EDU will turn on steady, indicating that the EDU is in “Set Close Limit Mode”.

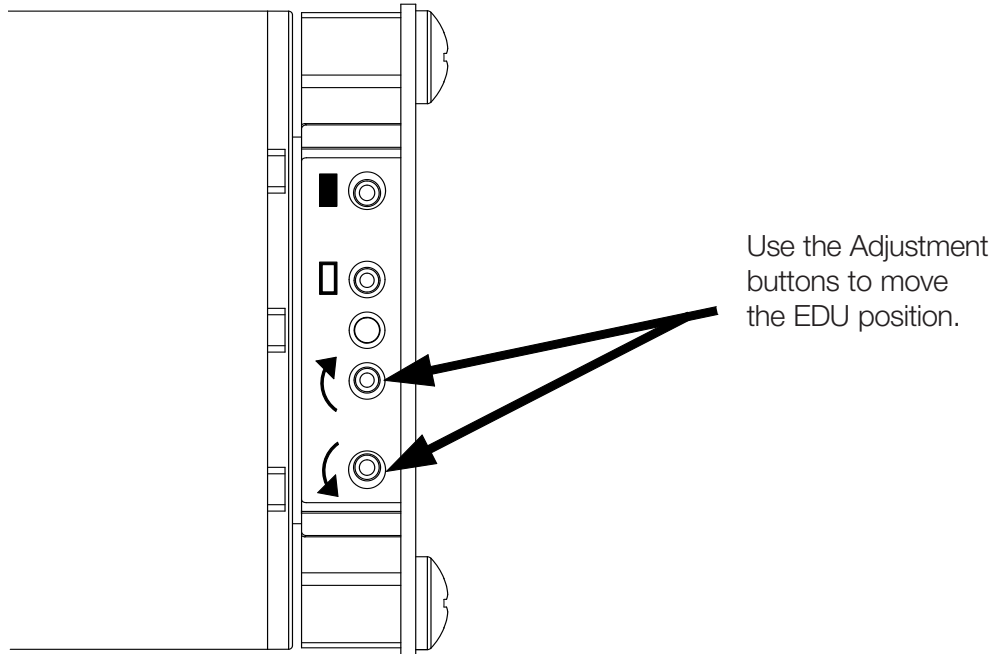


# 10 Programming Setting Limits from the EDU (continued)

## Setting the Close Limit from the EDU

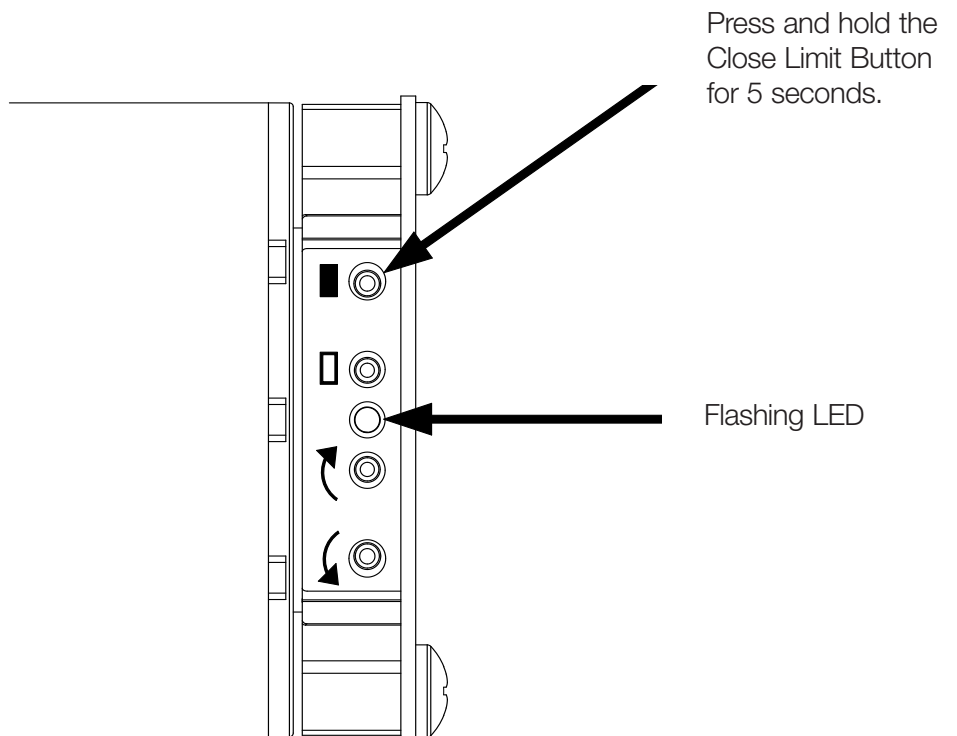
### 10.5

Adjust the position of the EDU to the desired Close Limit using the adjustment buttons (↶↷).



### 10.6

Press and hold the “Close Limit Button” (■) for 5 seconds. The LED on the roller blind EDU will flash for 2 seconds, then go dark, indicating that the current position has been stored as the Close Limit.



## Finish System Programming

The Sivoia QED blind is now installed, wired, and the OPEN/CLOSE limits for each blind have been set.

The next step is to finish programming the system.

Use the instructions in the **Wiring and Programming Guide** (p/n 045-038-12) or the **Technical Reference Guide** (p/n 367-592-12) and perform these four easy steps:

1. **Address the system.** This gives each EDU, keypad and contact closure interface in the system a unique address number or “name”, allowing proper communication between components.
2. **Assign blinds** (EDUs) to keypads, IR hand controls and/or contact closure interfaces. Tell system which blinds (EDUs) respond to which keypads and IR hand controls and contact closure Interfaces.
3. **Set and save PRESET blind positions** if you desire them to be different from the factory defaults.

# 12 Troubleshooting

<u>Symptom</u>	<u>Solution</u>
EDU will not move...	<ul style="list-style-type: none"> <li>...EDU is not powered - check EDU Power.</li> <li>...Blind is caught on something - free blind.</li> <li>...Blind is not assigned to keypad, IR, or CCI.</li> <li>...Limits set at same place.</li> </ul>
Blind does not fully open or fully close...	<ul style="list-style-type: none"> <li>...Limits have been set incorrectly - refer to “set open limit” and “set close limit” sections.</li> <li>...Blind fabric is caught on something - free blind.</li> </ul>
Fabric not level...	<ul style="list-style-type: none"> <li>...Adjust using level adjustment screw.</li> <li>...Check that brackets are mounted level.</li> <li>...Check that fabric is tracking correctly on the blind tube.</li> </ul>
Fabric not centered over window...	<ul style="list-style-type: none"> <li>...Center blind using center adjustment.</li> <li>...Check that brackets are centered.</li> </ul>
Blind does not move smoothly...	<ul style="list-style-type: none"> <li>...Check for binding of blind fabric on side channels.</li> <li>...Check fabric tracking.</li> </ul>
IR controls will not operate blind...	<ul style="list-style-type: none"> <li>...IR transmitter does not have line-of-sight to IR receiver.</li> <li>...Out of range - move to within 12 m (40 ft) of IR receiver.</li> <li>...EDUs not assigned to IR receiver.</li> <li>...IR receiver not plugged into any EDU within range.</li> <li>...Batteries are not providing power, replace them.</li> <li>...IR receiver not properly oriented.</li> </ul>



# Technical Assistance

## **WORLD HEADQUARTERS**

Lutron Electronics Co., Inc.  
7200 Suter Road  
Coopersburg, PA 18036  
United States  
Tel: +1-610-282-3800  
Fax: +1-610-282-1243

## **ASIAN HEADQUARTERS**

Lutron GL Ltd.  
15 Hoe Chiang Road  
#07-03 Tower Fifteen  
Singapore 089316  
Tel: +65-6220-4666  
Fax: +65-6220-4333  
lutronsea@lutron.com

## **EUROPEAN HEADQUARTERS**

Lutron EA Ltd.  
6 Sovereign Close  
London, E1W 3JF  
United Kingdom  
Tel: +44-(0)20-7702-0657  
Fax: +44-(0)20-7480-6899

## **CUSTOMER SERVICE/ORDERING**

UK +44-(0)20-7702-0657 –  
09.00 - 18.00 GMT  
USA +1-610-282-3800 –  
08.00 - 20.00 EST

## **CUSTOMER SERVICE /E-MAIL**

shadinginfo@lutron.com

## **TECHNICAL SUPPORT & SERVICES**

USA +1-610-282-3800 –  
24 hours/7 days  
UK +44-(0)20-7702-0657  
09.00 - 18.00 GMT

## **INTERNET:**

www.lutron.com

## **ADDITIONAL LUTRON SALES OFFICES:**

### **Germany**

Tel: +49-309-710-4590  
Fax: +49-309-710-4591  
FREEPHONE  
00800-5887 6635

### **France**

Lutron Ltc, S.A.R.L.-Paris  
90 rue Villiers  
92300 Levallois Perret,  
France  
Tel: +33-1-41-05-42-80  
Fax: +33-1-41-05-01-80  
FREEPHONE: 0800.90.12.18  
lutronfrance@lutron.com

### **Spain-Madrid**

Tel: +34-91-567-84-79  
Fax: +34-91-567-84-78  
FREEPHONE 0900-948-944

### **Spain-Barcelona**

Tel: +34-93-496-57-42  
Fax: +34-93-496-57-50  
FREEPHONE 0900-948-944

### **Hong Kong**

Tel: +852-2104-7733  
Fax: +852-2104-7633

### **Beijing**

Tel: +86-10-5877-1817  
Fax: +86-10-5877-1816

### **Singapore**

LUTRON GL Ltd. -  
Singapore  
15 Hoe Chiang Road  
#7-03 Tower 15  
Singapore 089316  
Tel: +65-6220-4666  
Fax: +65-6220-4333

### **Japan**

Tel: +81-3-5575-8411  
Fax: +81-3-5575-8420

These products may be covered by one or more of the following US patents:

5,671,387; 6,100,659

and corresponding foreign patents. US and foreign patents pending.

Lutron, the Sunburst logo, Sivoia, and Sivoia QED are registered trademarks.  
©2007 Lutron Electronics Co., Inc.

Printed in the U.S.A.

P/N 045-104-12 Rev. A

