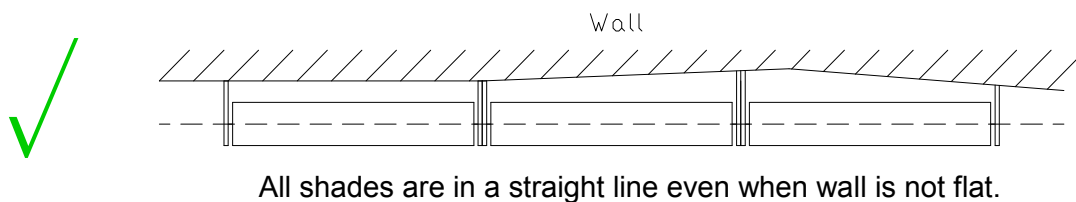


When the installation is complete the coupled shade system should be aligned as seen from both the top view (see below) and the front view (see page 3). Correct spacing is essential for smooth motion (see page 2). The hairpin cotter pins must also be installed correctly (see page 5). The examples shown are for a three shades system. The same instructions apply for systems of two to six shades.

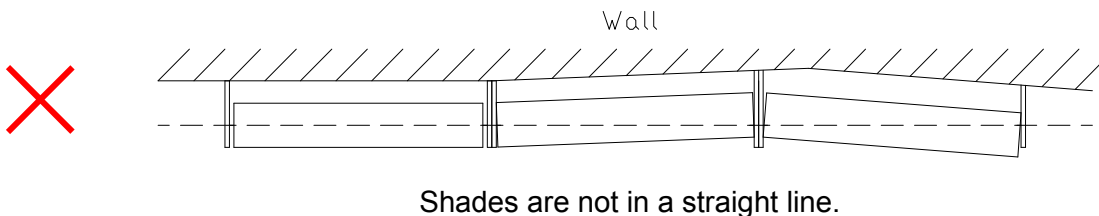
Top View Alignment

Adjust the shade position by loosening the Projection Adjust Screws. This should be done one shade at a time with the bracket retaining screws tightened to prevent the shade from falling during adjustment.

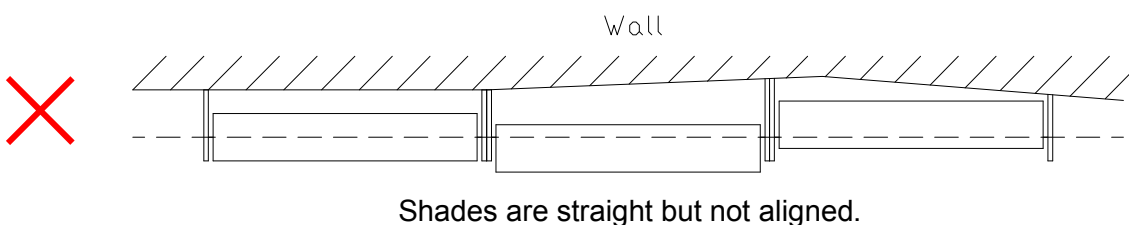
**Top View
Correct Alignment**



**Top View
Incorrect Alignment - Example 1**

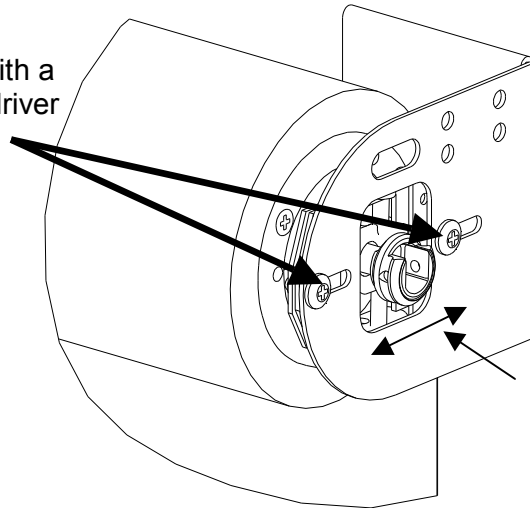


**Top View
Incorrect Alignment - Example 2**



Projection Adjust Screws

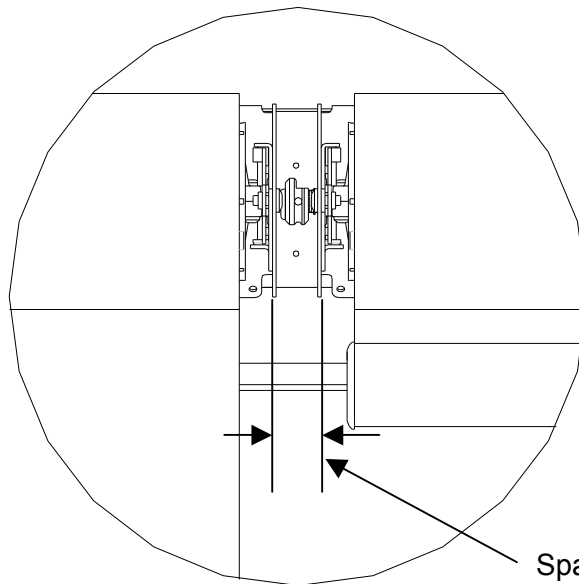
Loosen these screws with a #2 Phillips head screwdriver



Direction of motion of shade when screws are loose

Correct Shade Spacing

The coupled shades should be centered over the windows they cover. To adjust the shade position on the sub-brackets, the bracket retaining screws must be loosened.

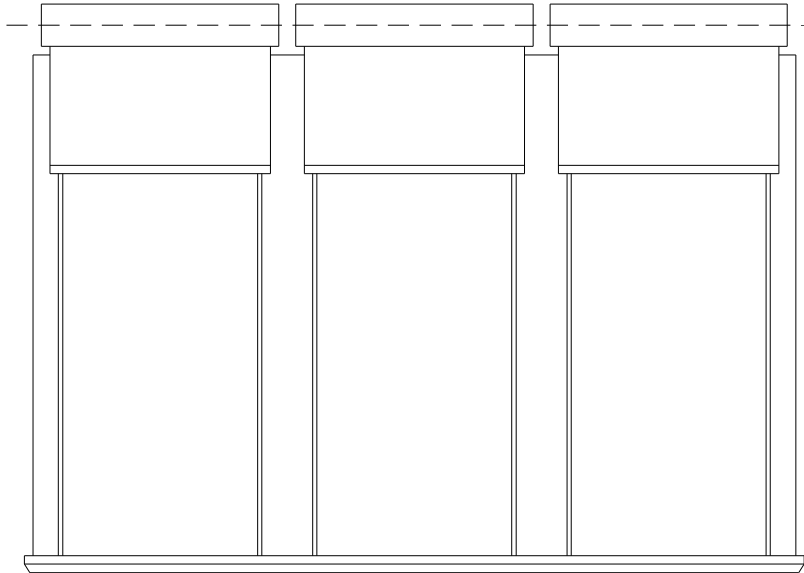


Space between outside edges of brackets is 3/8" to 1/2"

Front View Alignment

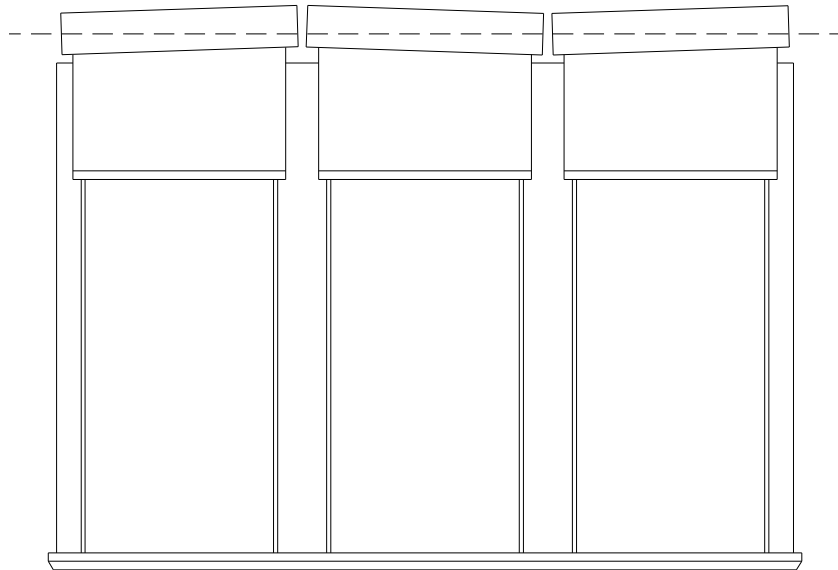
Use the Level Adjust Screws to ensure the shades are level and aligned.

**Front View
Correct Alignment**



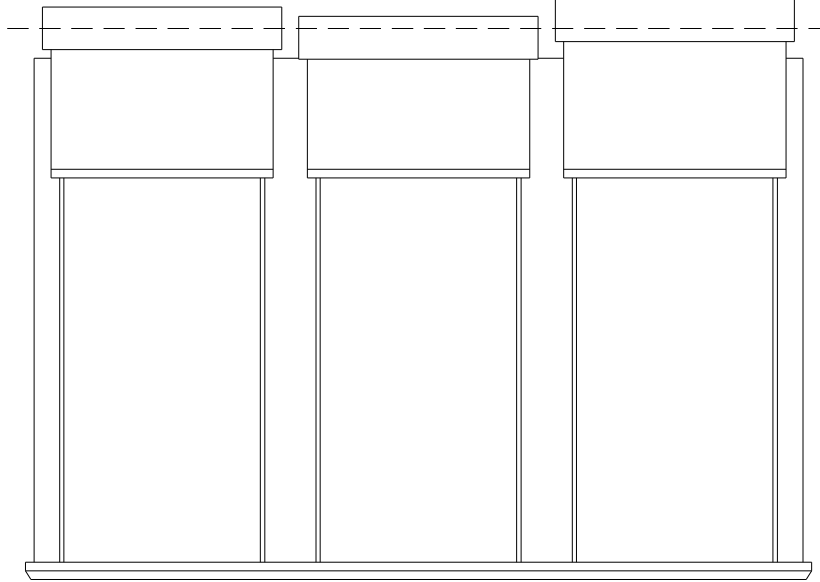
All shades are both level and aligned.

**Front View
Incorrect Alignment - Example 1**



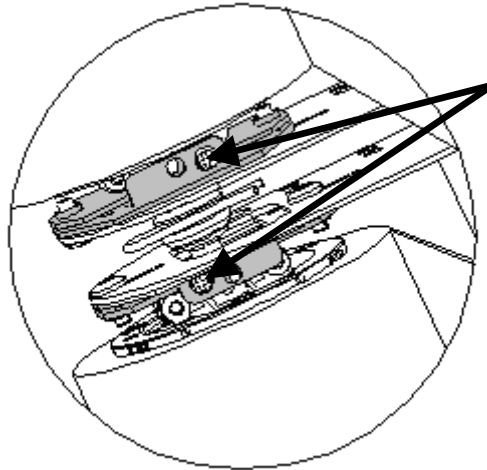
Shades are not level or aligned.

**Front View
Incorrect Alignment - Example 2**



Shades are level but not aligned.

Level Adjust Screws

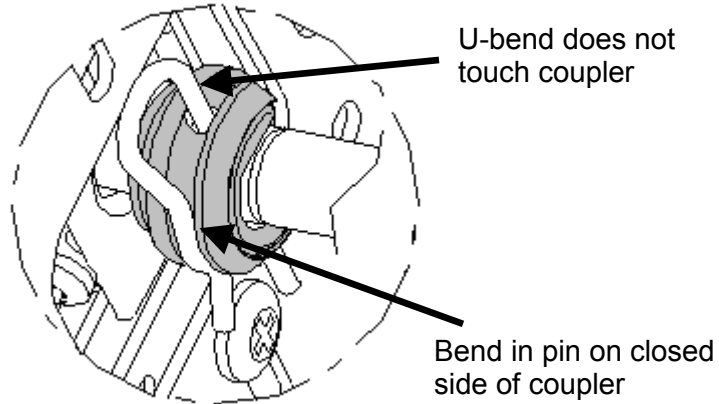


Adjust these screws with a #2 Phillips head screwdriver to level the shades

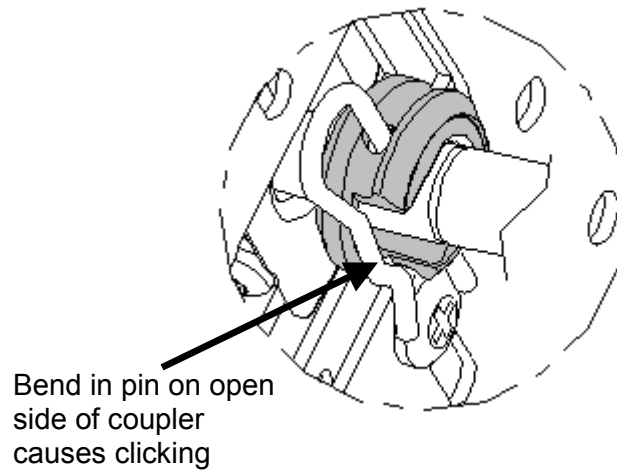
Hairpin Cotter Pin Placement

To prevent clicking noise, the hairpin cotter pins must be placed correctly.

Hairpin Cotter Pin Correct Placement



Hairpin Cotter Pin Incorrect Placement



These products may be covered under the following U.S. Patents: 7, 240, 716; and corresponding foreign patents. Patents Pending. Lutron and the sunburst logo are registered trademarks of Lutron Electronics Co., Inc.