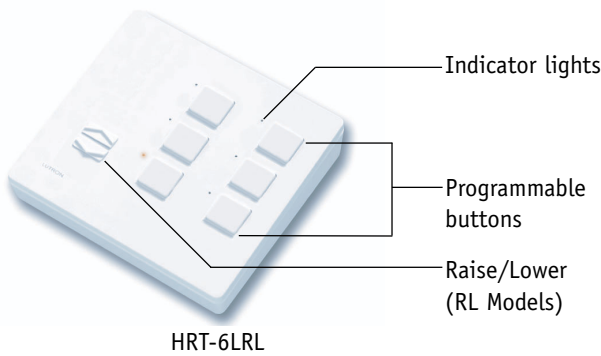
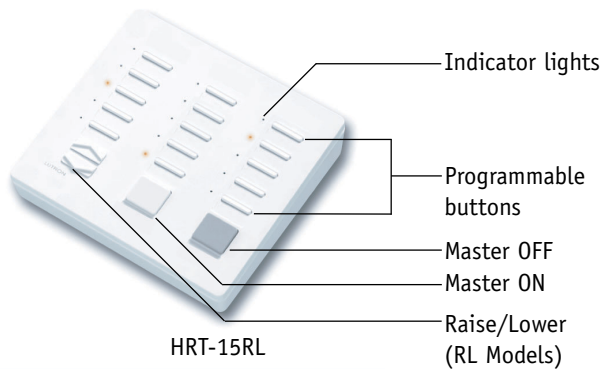


HomeWorks RF Tabletop Key pads



DESCRIPTION

HomeWorks RF tabletop keypads provide homeowners with a simple and elegant way to operate lights, shades, motorized screens, pumps, thermostats, and many other devices without the need to run any control wiring. RF keypads communicate with the system through radio frequency. Tabletop keypads are perfect for the coffee table or the nightstand. Keypads have indicator lights that provide real-time status. Custom engraving is available to clearly identify each button's function.

MODEL NUMBERS

Slim Button Keypads with Master ON/OFF

- HRT-5KP-A-XX 5 buttons, DC Adapter
- HRT-5KP-C-XX 5 buttons, DC Adapter/Battery
- HRT-5RL-A-XX 5 buttons, Raise/Lower, DC Adapter
- HRT-5RL-C-XX 5 buttons, Raise/Lower, DC Adapter/Battery
- HRT-10KP-A-XX 10 buttons, DC Adapter
- HRT-10KP-C-XX 10 buttons, DC Adapter/Battery
- HRT-10RL-A-XX 10 buttons, Raise/Lower, DC Adapter
- HRT-10RL-C-XX 10 buttons, Raise/Lower, DC Adapter/Battery
- HRT-15KP-A-XX 15 buttons, DC Adapter
- HRT-15KP-C-XX 15 buttons, DC Adapter/Battery
- HRT-15RL-A-XX 15 buttons, Raise/Lower, DC Adapter
- HRT-15RL-C-XX 15 buttons, Raise/Lower, DC Adapter/Battery

Large Button Keypads

- HRT-6LKP-A-XX 6 large buttons, DC Adapter
- HRT-6LKP-C-XX 6 large buttons, DC Adapter/Battery
- HRT-6LRL-A-XX 6 large buttons, Raise/Lower, DC Adapter
- HRT-6LRL-C-XX 6 large buttons, Raise/Lower, DC Adapter/Battery

"XX" in model number represents color/finish code.

JOB NAME:	MODEL NUMBERS:
JOB NUMBER:	

SPECIFICATIONS

Regulatory Approvals

- UL Listed (DC Adapter).
- CSA Certified.
- FCC Compliant. Complies with the limits for a Class B digital device, pursuant to Part 15 of the FCC Rules.
- Industry Canada Registered.

Power

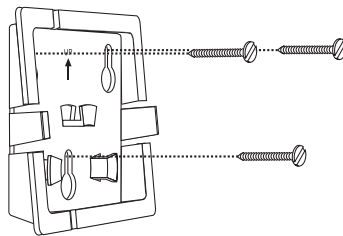
- DC Adapter (all models):
 Input power: 120/127 VAC,
 50/60 Hz
 Output power: DC 9 V/300 mA
- Use only the DC Adapter provided by Lutron with the keypad.
- Battery Power (-C models only): 2 each 1.5V "AAA" Alkaline batteries.

Key Design Features

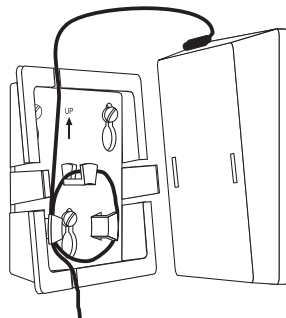
- Amber indicator lights.
- Tested to withstand electrostatic discharge without damage or memory loss, in accordance with IEC 6100-4-2.

OPTIONAL WALL MOUNTING

Attach mounting bracket to wall using the supplied screws and wall anchors.



Wrap excess power supply cord (if using) around the cord holder. Align Tabletop Keypad and snap onto mounting bracket.



- Tested to withstand surge voltages without damage or loss of operation, in accordance with IEEE C62.41-1991 Recommended Practice on Surge Voltages in Low-Voltage AC Power Circuits.
- May be wall-mounted using the included mounting bracket.

System Communications and Capacity

- RF Keypads communicate with the HomeWorks RF Processor through radio frequency (RF).
- Each HomeWorks RF Processor is capable of controlling up to 32 RF keypads.

Environment

- Ambient operating temperature: 0-40°C, 32-104°F, 0-90% humidity, non-condensing. Indoor use only.

Warranty

- 8 Year Limited Warranty.

KEYPAD COLOR/ FINISH CODES

Keypad Color	(code)	Button Color
--------------	--------	--------------

Satin Colors™ Matte Finishes

Snow	(SW)	White
Midnight	(MN)	Gray

Metal and Anodized finishes available through separate engraved faceplate order. When using metal faceplates, it is recommended that a Midnight (MN) color keypad be used.

Model numbers for Engraved Faceplates are ("XX" in model number denotes color/finish code):

HKT-5KP-XX-E	HKT-5RL-XX-E
HKT-6LKP-XX-E	HKT-6LRL-XX-E
HKT-10KP-XX-E	HKT-10RL-XX-E
HKT-15KP-XX-E	HKT-15RL-XX-E

ENGRAVED FACEPLATE COLOR/ FINISH CODES

Faceplate Color	(code)
-----------------	--------

Satin Colors Matte Finishes

Snow	(SW)
Midnight	(MN)

Metal Finishes

Bright Brass	(BB)
Satin Brass	(SB)
Bright Chrome	(BC)
Satin Chrome	(SC)
Antique Brass	(QB)
Antique Bronze	(QZ)
Bright Nickel	(BN)
Satin Nickel	(SN)

Anodized Aluminum Finishes

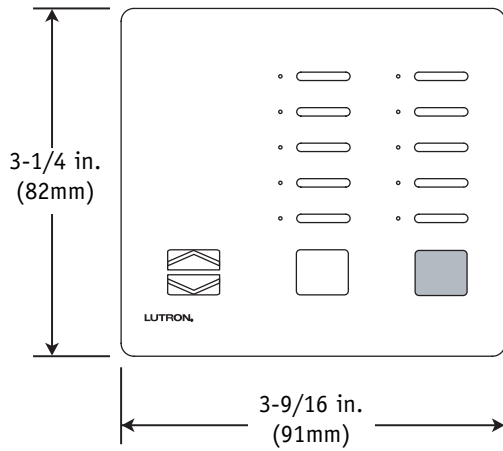
Clear Anodized	(CLA)
Black Anodized	(BLA)
Brass Anodized	(BRA)

Custom Controls and engraving available – Ships in 4 to 6 weeks.

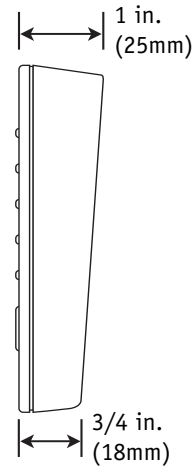
JOB NAME:	MODEL NUMBERS:
JOB NUMBER:	

DIMENSIONS

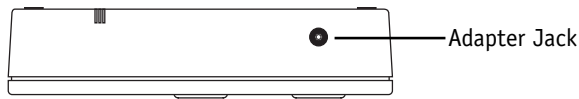
Keypad Front View



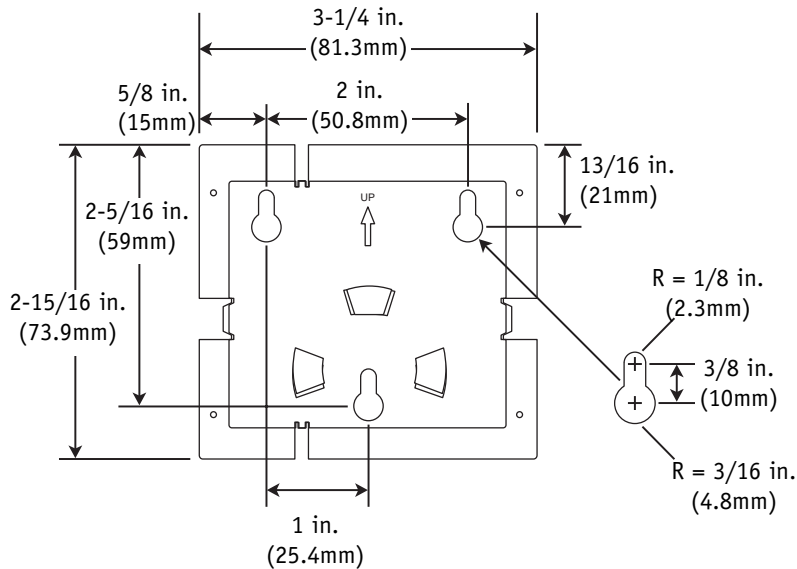
Keypad Side View



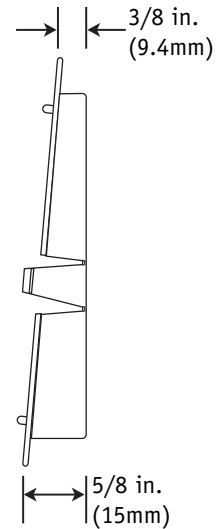
Keypad Top View



Mounting Bracket Front View

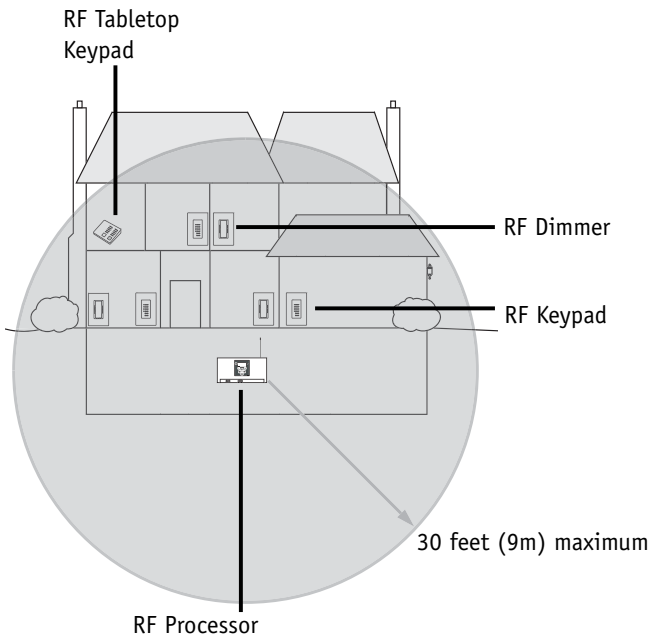


Mounting Bracket Side View



JOB NAME:	MODEL NUMBERS:
JOB NUMBER:	

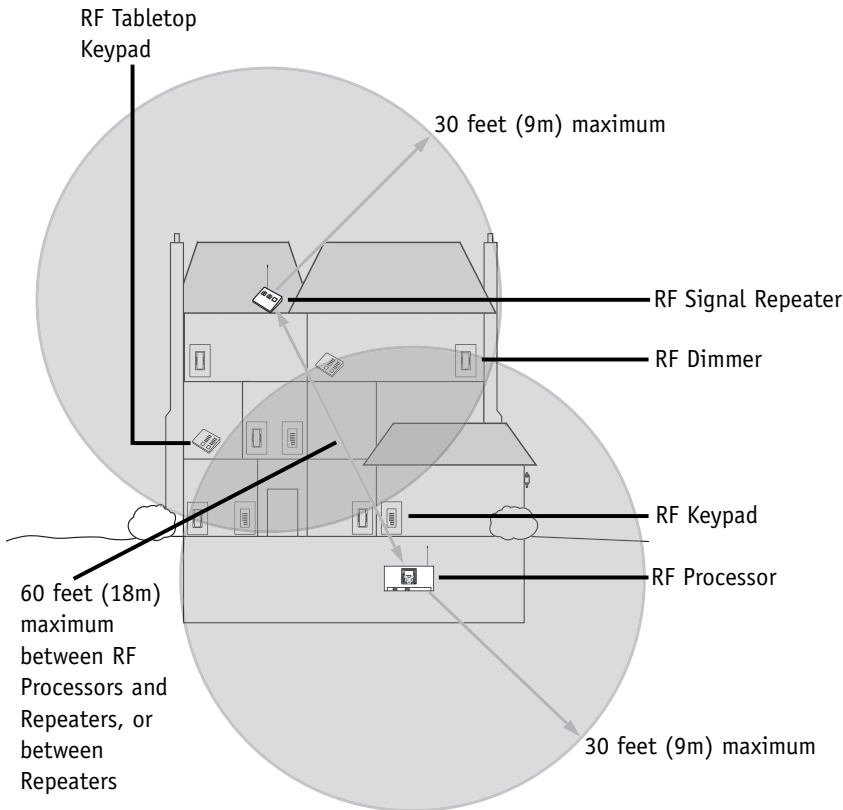
Home A: 2500 sq. ft. (232m²) or less - all RF devices within 30 ft. (9m) of RF Processor



SYSTEM COMMUNICATION NOTES

- RF Tabletop Keypads must be located within 30 feet (9m) of an RF Signal Repeater or an RF Processor. Multiple repeaters may be necessary to provide adequate coverage.
- RF Tabletop Keypads will not function until the keypad is addressed and programmed. See the HomeWorks Interactive Programming Utility online help.

Home B: 2500 sq. ft. (232m²) or greater - some RF devices more than 30 ft. (9m) from RF Processor



JOB NAME:	MODEL NUMBERS:
JOB NUMBER:	