

LUTRON®

For Your Information ...

Guide to dimming NIPPO seamlessline™ ballasts and lamps.



Overview

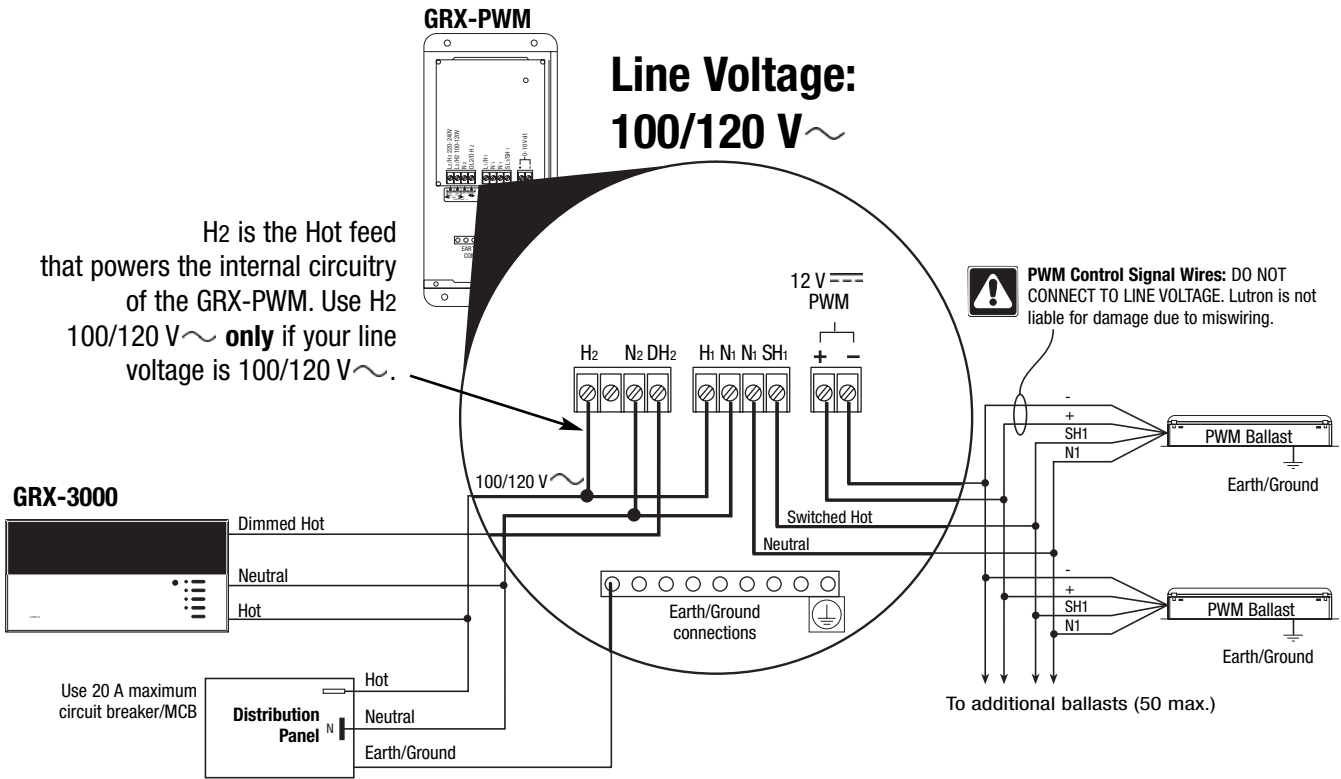
Lutron controls work with NIPPO dimming ballasts for NIPPO *seamlessline* lamps. This guide provides answers to typical questions encountered by Lutron's Technical Assistance and Applications personnel regarding the combination.

Please refer to the wiring diagrams on the following pages.

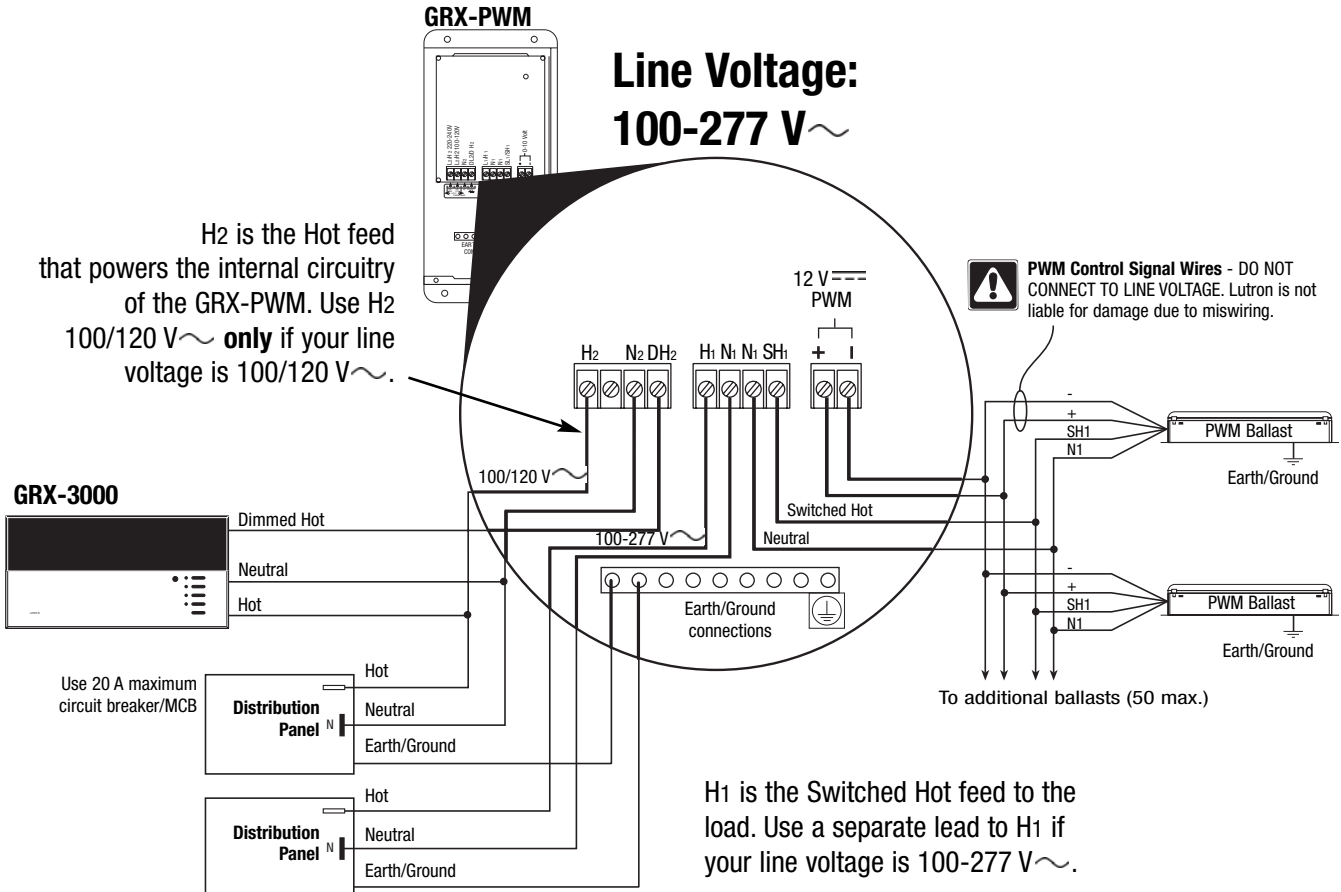
Need additional assistance? Call the Lutron Technical Support Center +1-800-523-9466.
Please provide exact model number when calling.

Lutron Electronics Co., Inc.
7200 Suter Road
Coopersburg, PA 18036-1299 U.S.A.
Made and printed in U.S.A. 4/06 P/N 048-138 Rev. B

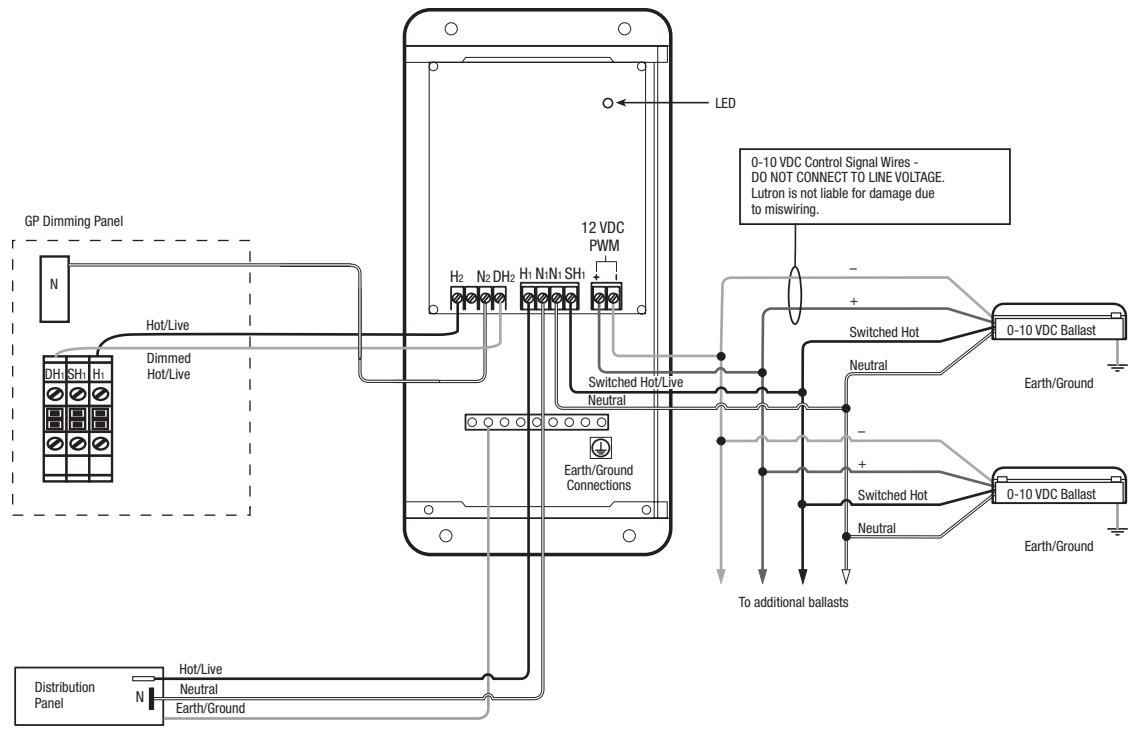
Wiring Diagram with LUTRON *GRAFIK Eye*® (In case of 120 V~)



Wiring Diagram with LUTRON *GRAFIK Eye* (In case of 277 V~)



Wiring Diagram for GP Panels



Worldwide Technical and Sales Assistance

If you need assistance call the toll-free **Lutron Technical Support Center**. Please provide exact model number when calling.

24 hours/day + 7 days/week

+1-800-523-9466 (U.S.A. and Canada)

Other countries call +1-610-282-3800

Visit us on the web at www.lutron.com

WORLD HEADQUARTERS

Lutron Electronics Co., Inc.

7200 Suter Road

Coopersburg, PA 18036-1299 U.S.A.

TOLL FREE: +1-800-523-9466 (U.S.A., Canada, and the Caribbean)

Tel: +1-610-282-3800

Fax: +1-610-282-3090

JAPAN HEADQUARTERS

Lutron Asuka Co., Ltd.

No. 16 Kowa Bldg. 4F

1-9-20 Akasaka, Minato-ku

Tokyo 107-0052 Japan

TOLL FREE: (0120) 083417 (Japan)

Tel: (03) 5575-8411; International +81-3-5575-8411

Fax: (03) 5575-8420; International +81-3-5575-8420

Lutron is a registered trademark and Eco-10 is a trademark of Lutron Electronics Co., Inc. seamlessline is a trademark of NIPPO Electric Co., Ltd.
© 2005 Lutron Electronics, Co., Inc.