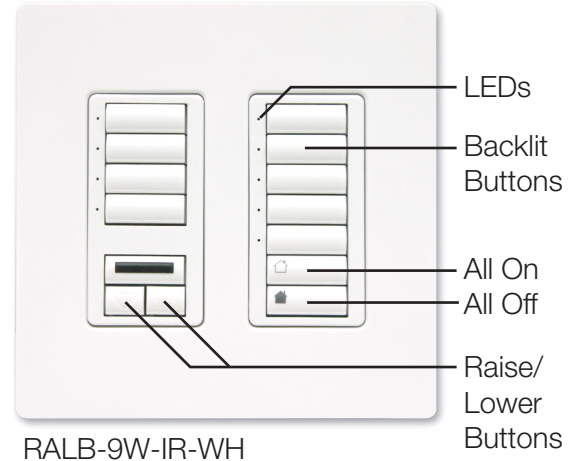


## 10-button Large Button Master Controls

RadioRA 10-button Large Button Wall Mounted Master Controls are available in all Satin Colors™ and Claro® finishes, and provide homeowners with a simple and elegant way to control lights, shades, motorized screens, and many other devices. The Master Controls communicate with the system through radio frequency (RF) and have indicator LEDs to identify the current lighting scene.

Custom engraved, large backlit buttons are easy to read and provide easy location of the Master Control, even in a dark room.

The IR configuration provides an infrared (IR) receiver to allow remote control of lighting scenes from an intelligent remote control.



### Features

- Central control for *RadioRA* local lighting controls to:
  - Toggle a light or group of lights between a preset level and off.
  - Monitor the status of a light or group of lights.
  - Turn all lights on to full.
  - Turn all lights off.
  - Raise and lower room/scene lighting.
  - IR remote control of room/scene selection as well as raising and lowering room/scene lighting (-IR models only).
- Controls are field-programmable to select whole-house or single-room preset light levels.
- Large backlit buttons are easy to press
- Status LEDs identify current lighting scenes.
- Two engraved button kit certificates included

### Model Numbers

#### 10-button Large Button Master Controls With Engraving Certificates

RALB-10W-RL-XX-P Raise/Lower and All On/All Off

RALB-9W-IR-XX-P IR, Raise/Lower, and All On/All Off

“XX” in the model number represents color/finish code.



**Available October 2006.**

|             |                |
|-------------|----------------|
| Job Name:   | Model Numbers: |
| Job Number: |                |

## Specifications

### Standards

- UL Listed.
- CSA Approved.
- FCC Approved. Complies with the limits for a Class B digital device, pursuant to Part 15 of the FCC Rules.

### Power

Operating voltage: 120 V~  
50/60 Hz.

### Key Design Features

- Green LEDs for status and button backlighting.
- Power failure: should power be interrupted, the lights will return to their previously set level prior to the interruption. The Master Control will continue to identify which lighting zones are on/off when power is restored.
- On a single tap, the selected room/scene will toggle on/off.
- Raise/Lower Scene Selection:  
The last local or IR room/scene selected becomes the selected scene for the local and IR raise/lower buttons.
- An IR remote (-IR model only) will be capable of selecting the programmed rooms and scenes, as well as All On/All Off and Raise/Lower.
- Integrated IR receivers at the front and back of the Master Control provide the flexibility to use an IR remote for line of sight operation (front) or IR repeater kit integration (back).

- Two Certificates for custom engraving are included.
- The button kits are removable, providing the ability to change the color of the controls without having to replace the entire control.
- Use Lutron® Claro® or Satin Colors™ wallplates. Wallplates are sold separately.
- Requires a 2-gang U.S. wallbox. 3-1/2 in. (89 mm) deep recommended, 2-1/4 in. (57 mm) deep minimum.

### System Communications and Capacity

- Master Controls communicate with the RadioRA system through radio frequency (RF).
- Each *RadioRA* Master Control counts toward the single-system maximum of 14 Master Controls (up to 24 with Chronos™).

### Environment

- Ambient operating temperature: 0-40 °C, 32-104 °F
- 0-90% humidity, non-condensing.
- Indoor use only.

### Warranty

- 1-year Limited Warranty.

### Color/Finish Codes

#### Control Color (code)

#### Claro Designer Gloss Colors

|              |      |
|--------------|------|
| White        | (WH) |
| Ivory        | (IV) |
| Almond       | (AL) |
| Light Almond | (LA) |
| Gray         | (GR) |
| Brown        | (BR) |
| Black        | (BL) |

#### Satin Colors Matte Finishes

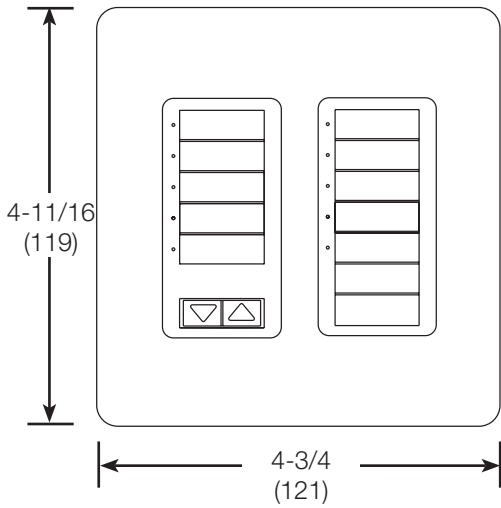
|              |      |
|--------------|------|
| Hot          | (HT) |
| Terracotta   | (TC) |
| Desert Stone | (DS) |
| Stone        | (ST) |
| Limestone    | (LS) |
| Midnight     | (MN) |
| Taupe        | (TP) |
| Eggshell     | (ES) |
| Biscuit      | (BI) |
| Snow         | (SW) |
| Merlot       | (MR) |
| Greenbriar   | (GB) |
| Bluestone    | (BG) |
| Sienna       | (SI) |
| Seaglass     | (SG) |
| Platinum     | (PT) |
| Goldstone    | (GS) |
| Brownstone   | (BW) |
| Plum         | (PL) |
| Turquoise    | (TQ) |

|             |                |
|-------------|----------------|
| Job Name:   | Model Numbers: |
| Job Number: |                |

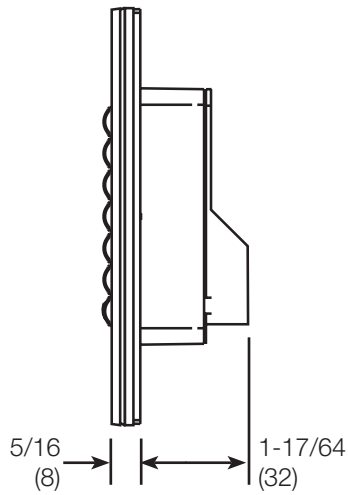
### Dimensions

Note: All dimensions are in inches (millimeters).

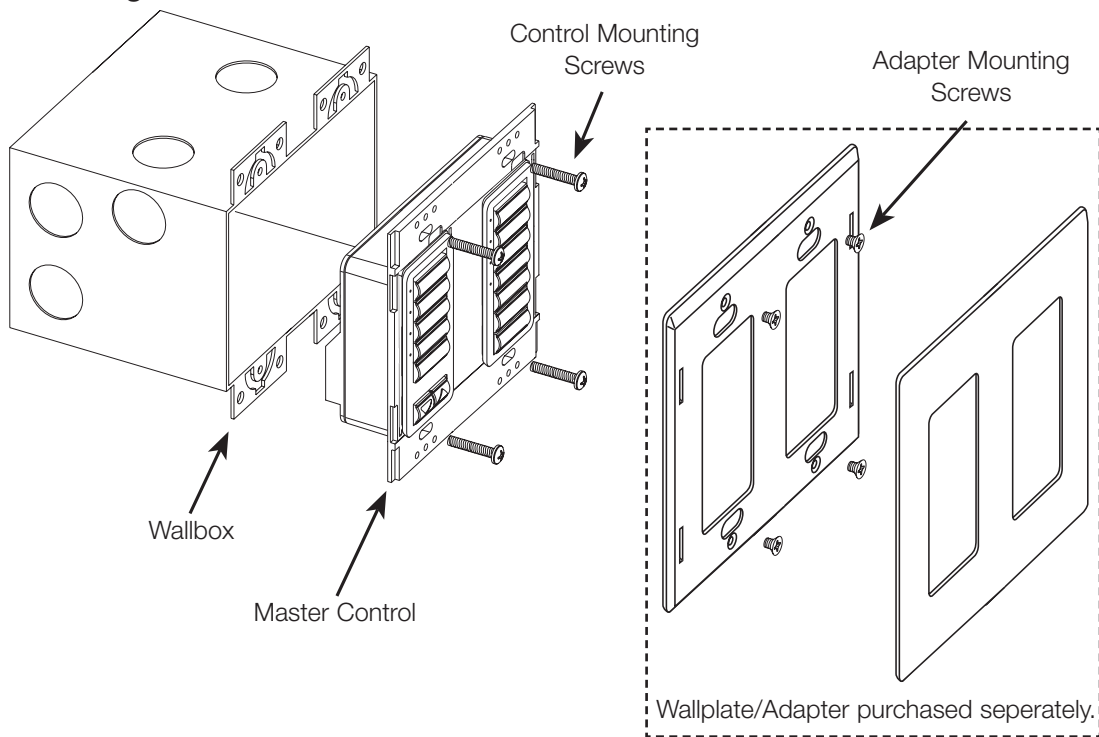
Front View



Side View

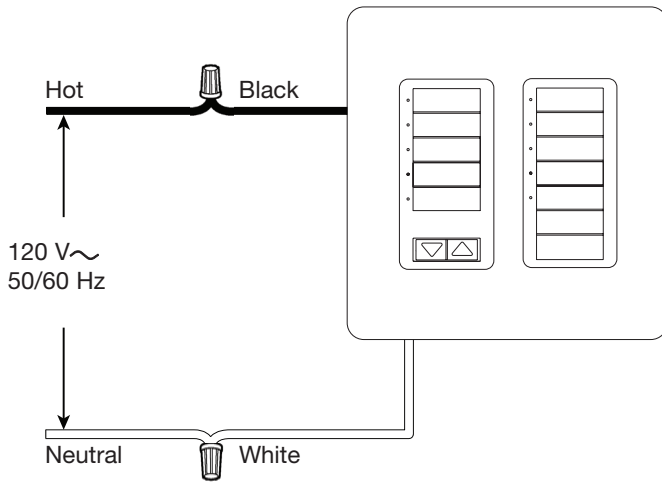


### Mounting

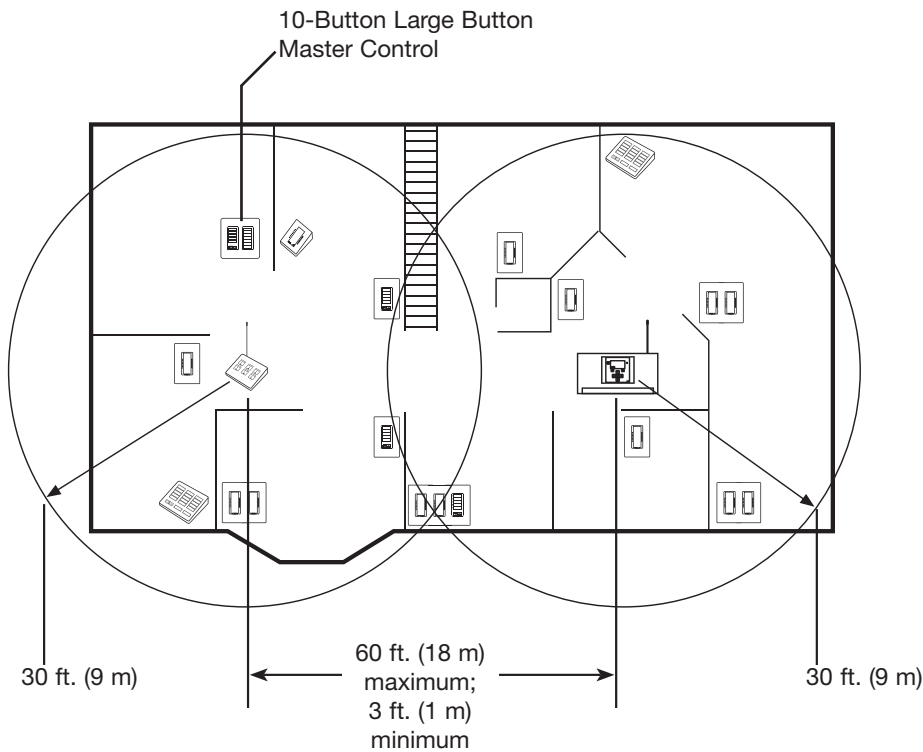


|             |                |
|-------------|----------------|
| Job Name:   | Model Numbers: |
| Job Number: |                |

### Wiring Diagram



### System Overview



### System Communication Notes

- *RadioRA* Lighting Zone Controls and Master Controls must be located within 30 ft. (9 m) of a Repeater or the Chronos™ (as a Main Repeater). Multiple repeaters may be necessary to provide adequate coverage.
- Additional repeaters must be within 60 ft. of the *Chronos* (as a Main Repeater) or another repeater.
- *RadioRA* Lighting Zone Controls cannot be controlled and *RadioRA* Master Controls will not function until they are activated and programmed.

|             |                |
|-------------|----------------|
| Job Name:   | Model Numbers: |
| Job Number: |                |