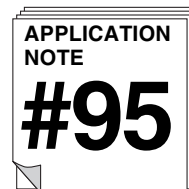


LUTRON®

For Your Information ...



Wiring RadioTouch™ with emergency lighting zones using RTA-MA-24VDC-SCI-CPN1806

Overview

The RadioTouch Controller has the ability to accept a maintained dry switch closure from the RTA-MA-24VDC-SCI-CPN1806. Opening the dry closure from the RTA-MA-24VDC-SCI-CPN1806 will send all lights controlled by the Controller to high end for the duration that the closure is opened. When the maintained closure is activated (closed) again, the lights will return to normal operation.

The RTA-MA-24VDC-SCI-CPN1806 is a maintained switch closure interface when 24 volts DC is applied to it. This control is used to setup backup/emergency lighting using at least two *RadioTouch* Controllers in an application where backup/emergency lighting is desired and there is a backup/emergency power source. In each room there will have to be a designated fixture(s) with a *RadioTouch* Controller powered from normal power (Unit A) and a designated fixture(s) controlled by one *RadioTouch* Controller connected to the backup/emergency source power. The *RadioTouch* Controller that is connected to the backup/emergency power source will be designated as the backup/emergency controller (Unit B) and the lights connected to it will be the backup/emergency lights for that area. The backup/emergency controller **must** have DIP switch # 2 in the down position and **cannot** have an occupancy sensor connected to it. The RTA-MA-24VDC-SCI-CPN1806 will be wired between one of the *RadioTouch* Controllers in the area and the backup/emergency powered *RadioTouch* Controller(s). The *RadioTouch* Controller that is connected to normal power and is providing power to the RTA-MA-24VDC-SCI-CPN1806 will not be able to power any occupant sensors. This units power supply is derated to 15mA which will allow one photosensor to be connected.

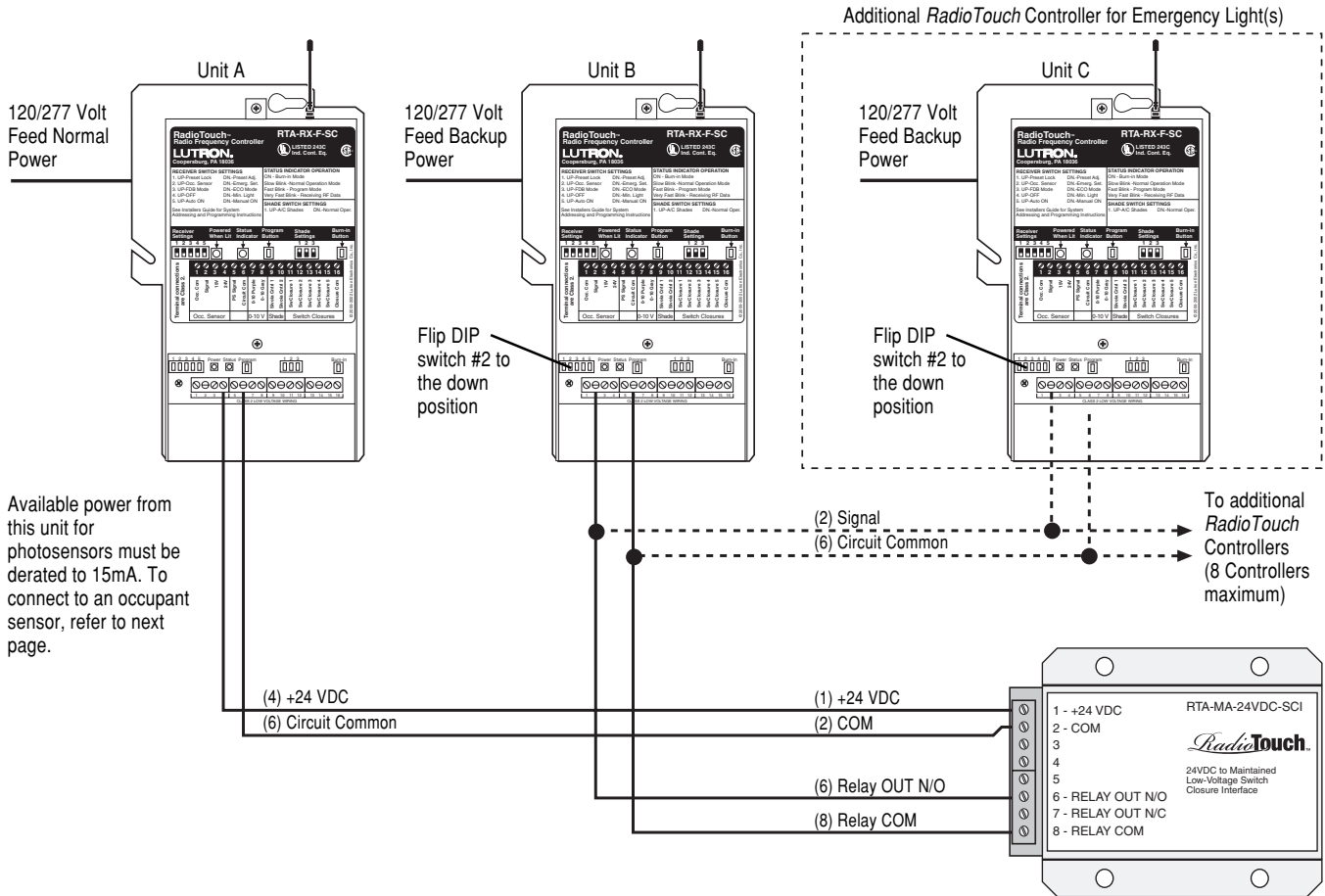
Mounting

The Switch Closure Interface is encased in a steel housing equipped with four mounting holes. The device can be mounted indoors on any available flat surface using appropriate hardware. All wire connections are Class 2, low-voltage. Install in accordance with all local and national electrical codes.

Wiring the Switch Closure Interface for Emergency Lighting



DANGER - The *RadioTouch* Switch Closure Interface is a Class 2 device. Do **not** connect line voltage power to the Switch Closure Interface. Connecting line voltage power or improper wiring can result in personal injury or damage to the control or to other equipment. All external control equipment must maintain Class 2 isolation.



Notes:

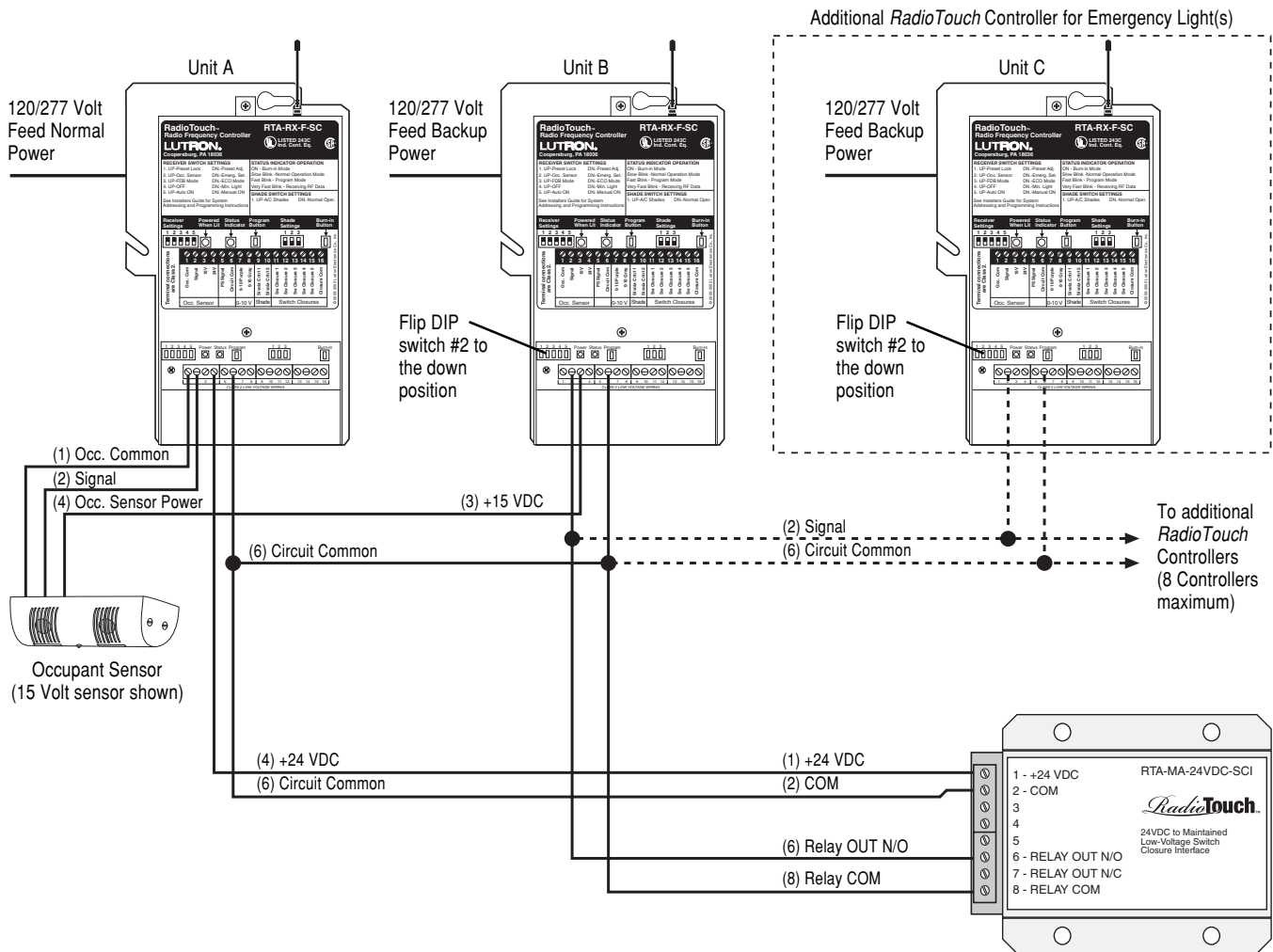
- If your RTA-RX-F, RTA-RX-F-SC, or RTA-RX-SW was shipped before August 1, 2002 please contact Lutron Technical Support at 1-800-523-9466 **before** connecting your RTA-MA-24VDC-SCI.
- When wiring to a backup/emergency source of power, the RTA-RX-F / RTA-RX-F-SC / RTA-RX-SW control unit being used for the backup/emergency lights (Unit B) **cannot** be controlled by an occupant sensor. Units B and C DIP switch #2 must be in the down position. The output of the RTA-MA-24VDC-SCI terminals #7 and #8 can be wired in parallel to other emergency powered *RadioTouch* Controllers (maximum 8).

Need additional assistance? Call the Lutron Technical Support Center 1-800-523-9466
Please provide exact model number when calling.

Wiring the Switch Closure Interface for Emergency Lighting with an Occupant Sensor



DANGER - The *RadioTouch* Switch Closure Interface is a Class 2 device. Do **not** connect line voltage power to the Switch Closure Interface. Connecting line voltage power or improper wiring can result in personal injury or damage to the control or to other equipment. All external control equipment must maintain Class 2 isolation.



Notes:

- If your RTA-RX-F, RTA-RX-F-SC, or RTA-RX-SW was shipped before August 1, 2002 please contact Lutron Technical Support at 1-800-523-9466 **before** connecting your RTA-MA-24VDC-SCI.
- When wiring to a backup/emergency source of power, the RTA-RX-F / RTA-RX-F-SC / RTA-RX-SW control unit being used for the backup/emergency lights (Unit B) **cannot** be controlled by an occupant sensor. Units B and C DIP switch #2 must be in the down position. The output of the RTA-MA-24VDC-SCI terminals #7 and #8 can be wired in parallel to other emergency powered *RadioTouch* Controllers (maximum 8).

Need additional assistance? Call the Lutron Technical Support Center 1-800-523-9466
Please provide exact model number when calling.

Worldwide Technical and Sales Assistance

If you need assistance call the toll-free ***Lutron Technical Support Center***. Please provide exact model number when calling.
(800) 523-9466 (U.S.A., Canada, and the Caribbean)
Other countries call (610) 282-3800
Visit our website at www.lutron.com

Lutron Electronics Co., Inc.
7200 Suter Road
Coopersburg, PA 18036-1299 U.S.A.
Phone: (610) 282-3800
Fax: (610) 282-3090

Lutron is a registered trademark and RadioTouch is a trademark of Lutron Electronics Co., Inc. © 2002 Lutron Electronics, Co., Inc.

**Need additional assistance? Call the Lutron Technical Support Center 1-800-523-9466
Please provide exact model number when calling.**

Lutron Electronics Co., Inc.
7200 Suter Road
Coopersburg, PA 18036-1299 U.S.A.
Made and printed in U.S.A. 11/02 P/N 048-008 Rev. A