

Eco-10®, Hi-lume®, Compact SE™ 3-Lamp Ballast Replacement Wiring

Overview

Lutron is discontinuing its existing lines of *Eco-10* and *Hi-lume* ballasts for T8 lamps, and *Eco-10* and *Compact SE* ballasts for T5 twin-tube (biax) lamps. The new 3 lamp *Eco-10*, *Compact SE* and *Hi-lume* 3D ballasts (EC3/H3DTxxxUxxx) that are replacing the discontinued models (ECO/FDB-xxxx-xxx-3), wire to the lamp sockets differently. The lamps on the old design were wired in series, while the new models are wired in parallel. When replacing one of the discontinued ballasts with the new style, the lamp wiring must be modified to match this. Failure to do so will cause the lamps to not strike.

Please note: the old ballasts came with wire leads, while the new ones do not. When replacing ballasts, the lead wires should be cut at the ballast before being removed, then stripped to be inserted into the replacement ballast.

Included on the next two pages are diagrams showing the NEW wiring for the ballasts that replace the discontinued lines, OLD wiring and how to Retro-Fit the old wiring to accommodate the new wiring.

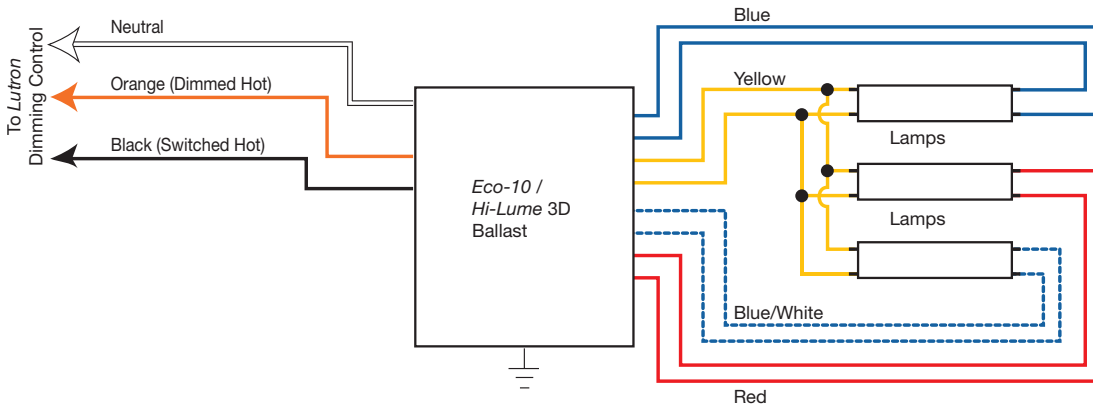


WARNING: Shock hazard. May result in serious injury or death. Disconnect power before servicing or installing.

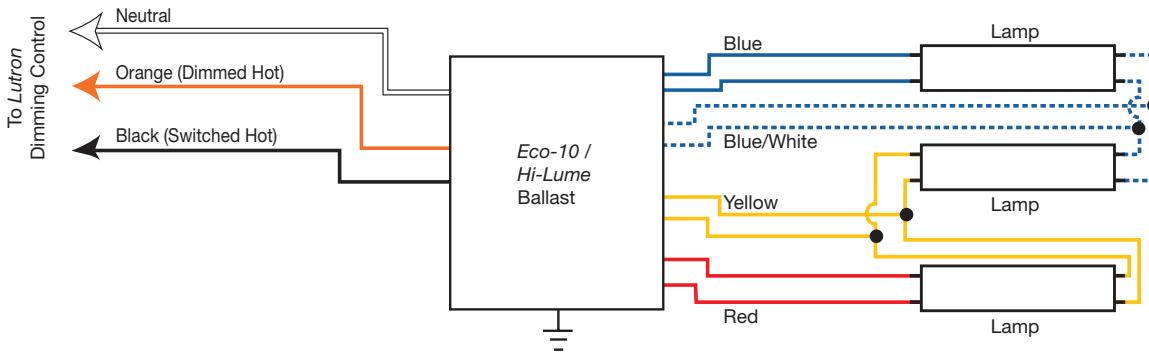
Lutron Contact Numbers

Worldwide Headquarters
USA
Lutron Electronics Co., Inc
7200 Suter Road
Coopersburg, PA 18036-1299 USA
TEL: +1.610.282.3800
FAX: +1.610.282.1243
Technical Support: 1.800.523.9466
Toll-free: 1.888.LUTRON1
048-380a 07/2010

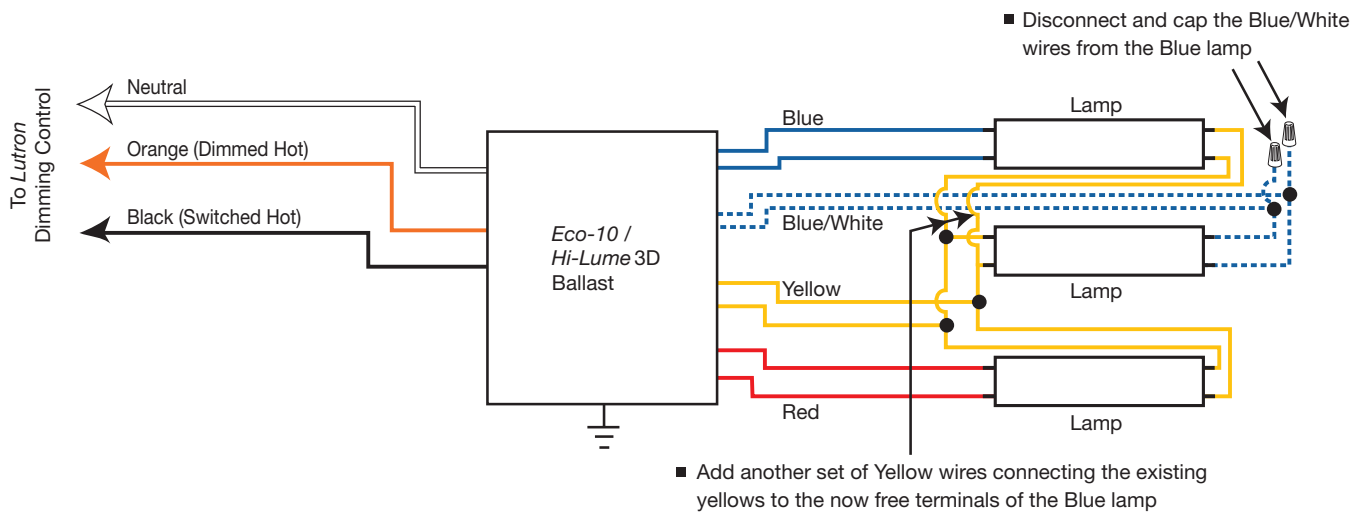
NEW Eco-10 and Hi-lume 3D T8 3-lamp Wiring



OLD Eco-10 and Hi-lume T8 3-lamp Wiring

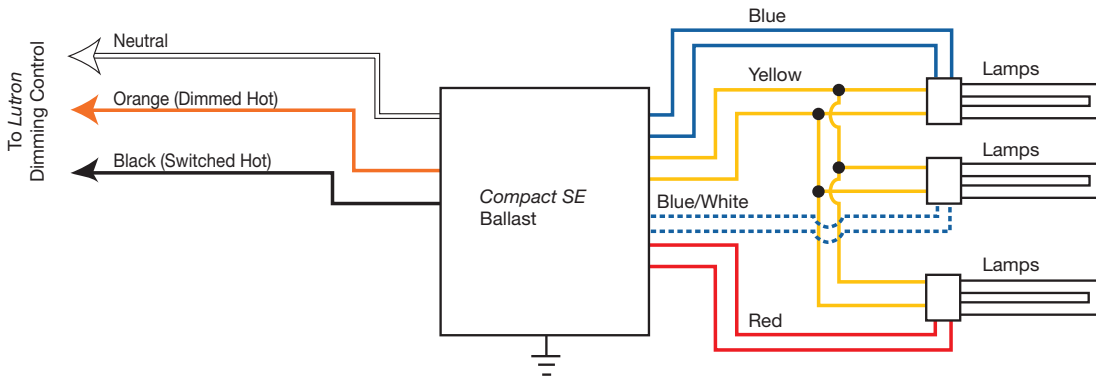


RETRO-FIT Old Eco-10 and Hi-lume T8 3-lamp Wiring to NEW

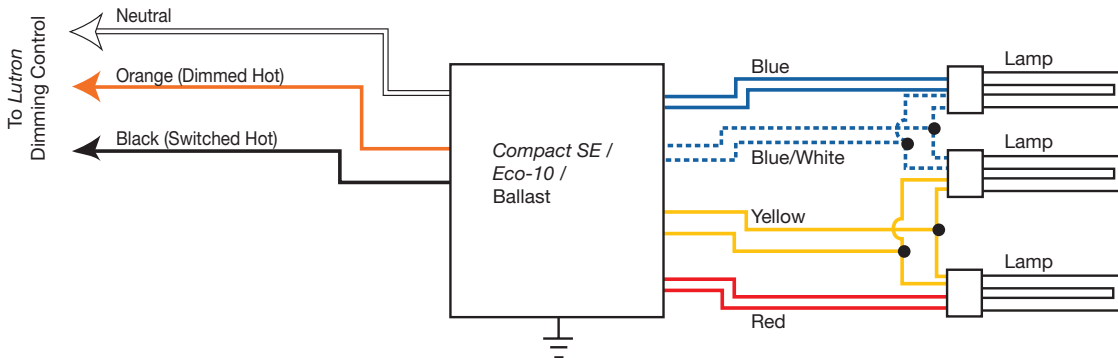


WARNING: Shock hazard. May result in serious injury or death. Disconnect power before servicing or installing.

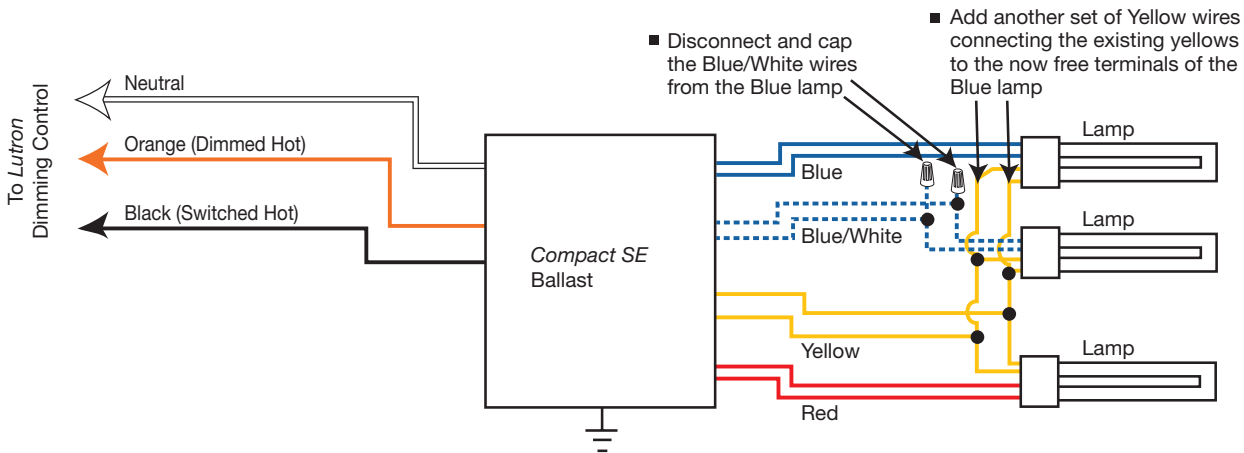
NEW Compact SE T5 Twin-Tube 3-lamp Wiring



OLD Compact SE and Eco-10 T5 Twin-Tube 3-lamp Wiring



RETRO-FIT OLD Compact SE and Eco-10 T5 Twin-Tube 3-lamp Wiring to NEW



WARNING: Shock hazard. May result in serious injury or death. Disconnect power before servicing or installing.