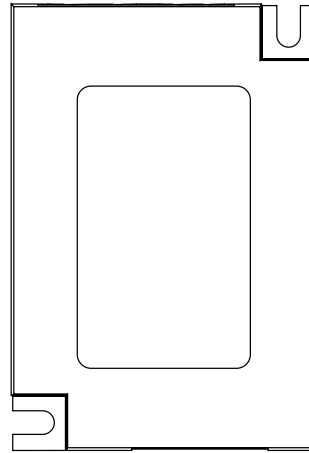


**Stanza | Power Supply**

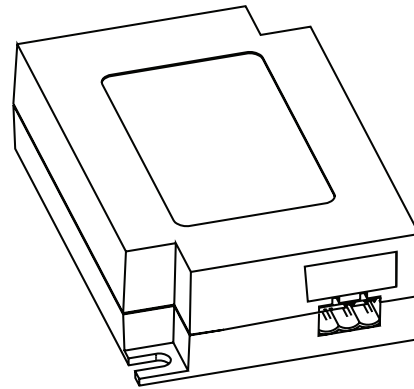
The *Stanza* power supply (SZ-PS-P1-1-50/ SZ-PS-P2-1-50/ SZ-PS-P3-1-50/ SZ-PS-P4-1-50) is a 24 V<sub>DC</sub> plug in power supply that is used with Lutron® *Stanza* shading devices.

The power supply plugs into a standard receptacle. The power supply is protected electronically in the event of a miswire, and will automatically reset when wiring is corrected.



**Features**

- 24 V<sub>DC</sub> supply that provides power to shades, keypads, and accessories
- Simple wiring scheme uses 2-conductor, low voltage link to provide power to *Stanza* shading electronic drive units (EDUs)
- Flexible wiring topology for easy installation and integration
- Small footprint allows the power supply to be discretely located
- Mounting tabs allow for permanent installation



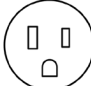
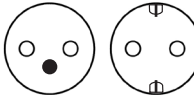
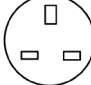
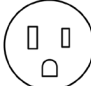
Job Name:	Model Numbers:
Job Number:	

**Specifications**

<b>Input Voltage</b>	100-240 V~
<b>Output Voltage</b>	24 V===
<b>Operating Frequency</b>	50/60 Hz
<b>ESD Protection</b>	(+/-) 16 kV
<b>Miswire Protection</b>	Electronic Automatic Reset
<b>Thermal Protection</b>	Electronic Automatic Reset

**Wiring** Plugs into standard receptacle, output wires to Lutron Stanza shading devices

**Input Wiring** Available with 4 types of power supply cords and compatible with the following receptacle/socket outlets. All 6 ft (1.8 m)

- 1. SZ-PS-P1-1-50 NEMA 5-15 
- 2. SZ-PS-P2-1-50 CEE 7/7 
- 3. SZ-PS-P3-1-50 BS 1363 
- 4. SZ-PS-P4-1-50 JIS 8303 

**Output Wiring** Output:  
2 conductor (power)  
12-18 AWG (1-4 mm²) stranded

**Output connections** Terminal blocks

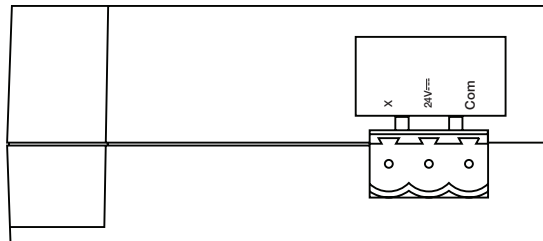
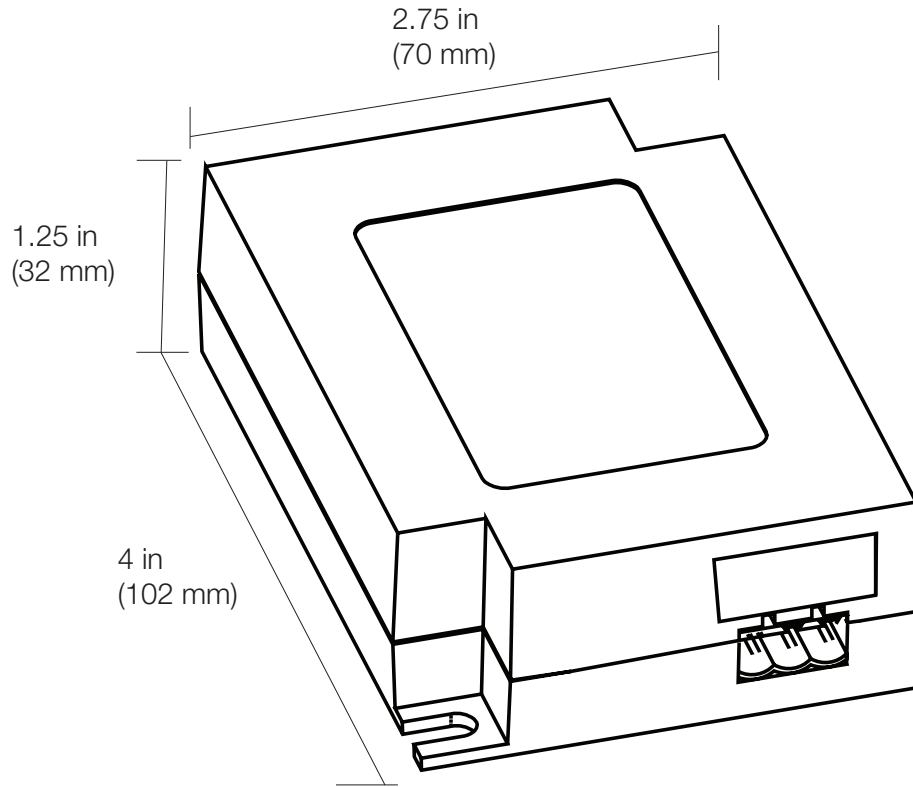
**Weight** 0.3 lb (0.14 kg)

**Regulatory** cULus 1310 CLASS2 (File# E184870)  
CE, TuV

Hong Kong HKSI  
Japan PSE  
Singapore Safety Mark  
Taiwan BSMI

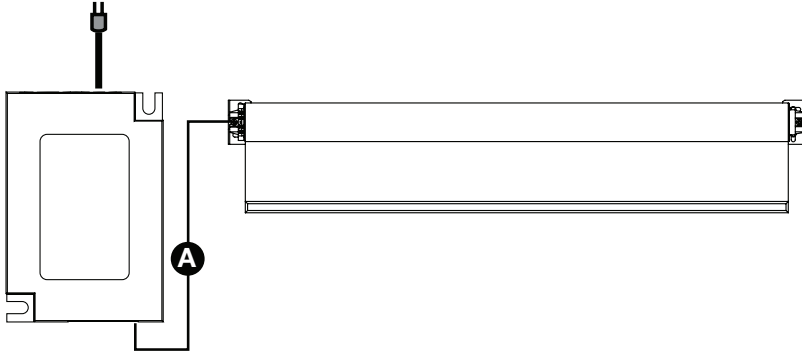
<b>Job Name:</b>	<b>Model Numbers:</b>
<b>Job Number:</b>	

### Dimensions

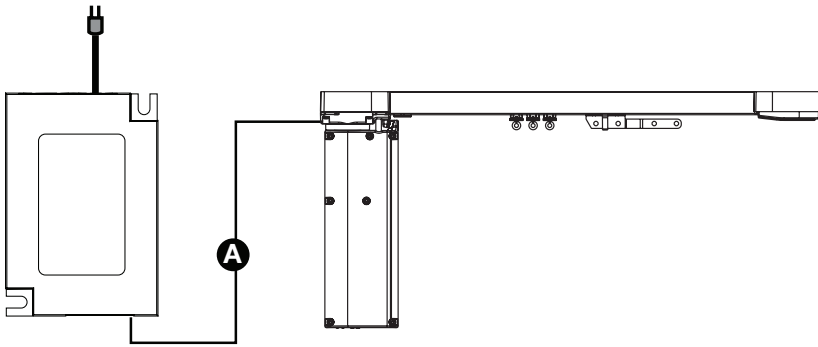


Job Name:	Model Numbers:
Job Number:	

### System Wiring Overview: *Stanza* EDU



Roller shade



Drapery track

Wiring types	Purpose	Wire options
<b>A</b> (2 conductor)	EDU power (power supply to EDU)	12 AWG - (4 mm <sup>2</sup> )-250 ft (75 m) max 16 AWG - (1.5 mm <sup>2</sup> )-100 ft (30 m) max Lutron P/N QSHY-CBL-M-1000 Non-plenum Lutron P/N QSHY-CBLP-M-1000 plenum 18 AWG - (1 mm <sup>2</sup> )-50 ft (17 m) max

Job Name:  Job Number:	Model Numbers:
------------------------------	----------------