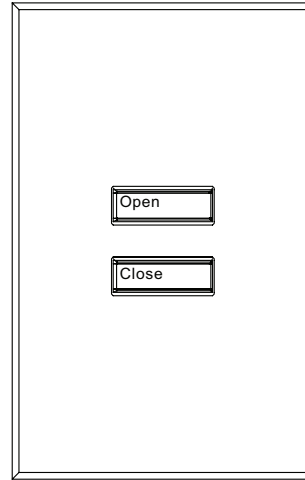


Stanza | Standalone seeTouch® Keypads

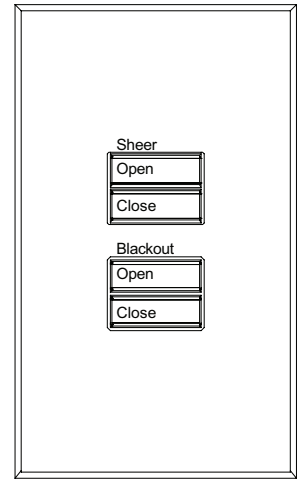
The *Stanza* Standalone *seeTouch* keypad is an easy to use device that provides contact closure outputs directly to *Stanza* Shade and Drapery Drives. The Keypad is available in One Group and Two Group configurations and requires no input power.

Features

- Provides control for a *Stanza* Standalone Shading system allowing users to open and close shades and drapes
- Simple plug and play installation requires no programming to assign keypad to drives
- Single configuration keypad available for one group applications, and Dual configuration keypad available for two group applications
- Dual keypads available with and without “Sheer” and “Blackout” engraving.
- Large rounded buttons are easy to use
- Easy to read engraving available in multiple configurations
- Keypads available in white, beige, black and ivory
- Control provided with the single gang Architectural style faceplate
- Can provide control of up to four drives per contact closure output



SZA-2WN



SZA-2WDN

<p>Job Name:</p> <p>Job Number:</p>	<p>Model Numbers:</p>
--	-----------------------

Specifications

Power

- No external power required
- Maximum Contact Closure Switching Voltage 12V^{DC}, 16mA
- PELV (Class2: USA)

Key Design Features

- Architectural style faceplate
- Single and Dual button configurations
- Large rounded buttons with easy to read engraving
- Multiple engraving options
- No programming required – keypads control drives they are wired to, with no additional programming

Mounting

- Typical backbox dimensions: 3.74 in (95 mm) high, 2.17 in (55 mm) wide, 2.75 in (70 mm) deep

Terminals

- Accept up to two 18 AWG (1.0 mm²)

System Communication and Capacity

- Up to four shade or drapery drives can be controlled per contact closure output
- Maximum distance between Keypad and Stanza Drive is 250 ft (75m)
- Wiring between Keypad and Stanza Drive: 18-22 AWG (1.00 – 0.50 mm²)

Environment

- Ambient operating temperature: 32 °F to 104 °F (0 °C to 40 °C)
- Maximum 90% non-condensing relative humidity
- Indoor use only

Warranty

- 1 – year limited warranty

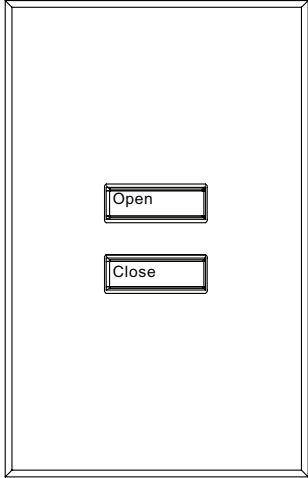
<p>Job Name:</p> <p>Job Number:</p>	<p>Model Numbers:</p>
--	-----------------------

Stanza Standalone seeTouch Keypad Model Number Structure

Single Group Configuration

SZA-2WN-XX-E01

└── Color Code



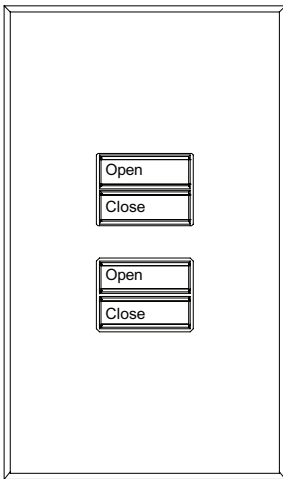
Color Codes:
(Architectural Matte)

<u>Color</u>	<u>Color Code</u>
White	WH
Beige	BE
Black	BL
Ivory	IV

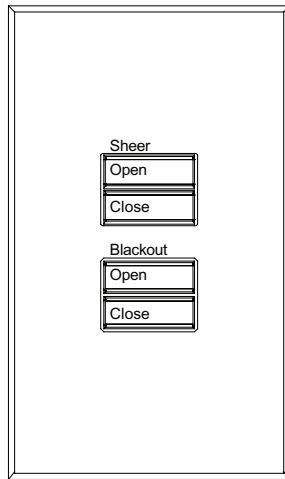
Dual Group Configuration

SZA-2WDN-XX-EXX

└── Engraving Option Code
└── Color Code



Engraving Option Code 01



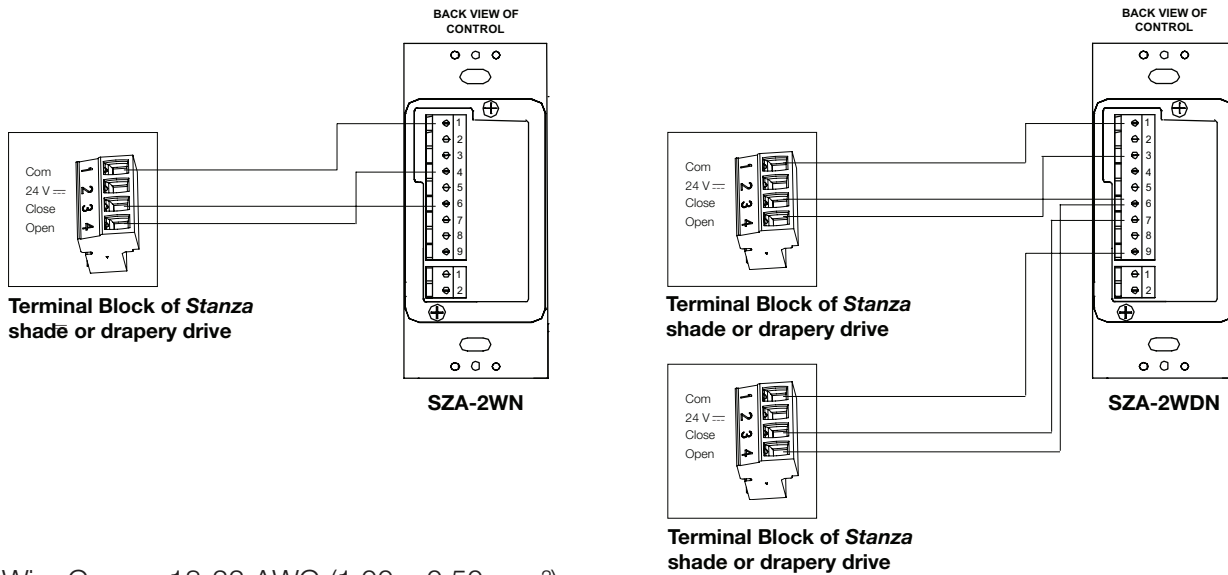
Engraving Option Code 02

Color Codes:
(Architectural Matte)

<u>Color</u>	<u>Color Code</u>
White	WH
Beige	BE
Black	BL
Ivory	IV

Job Name:	Model Numbers:
Job Number:	

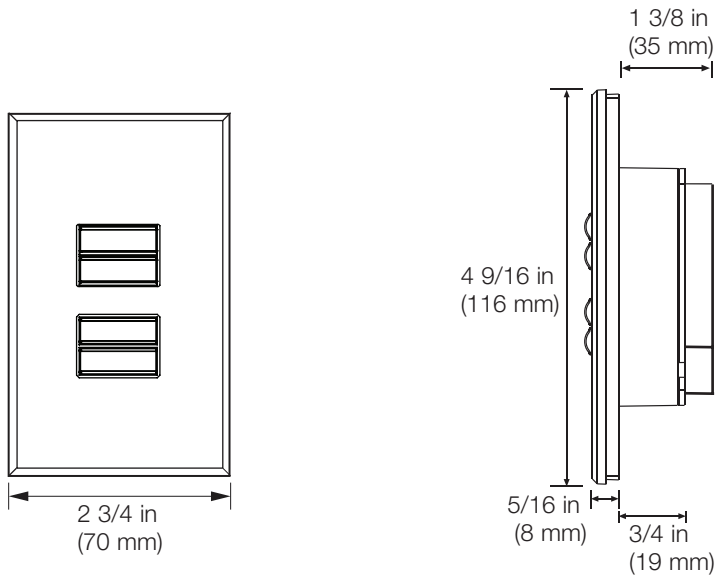
Keypad Wiring



Wire Gauge: 18-22 AWG (1.00 – 0.50 mm²)

Maximum Wire Distance: 250 ft (75 m)

Dimensions



Job Name:	Model Numbers:
Job Number:	