

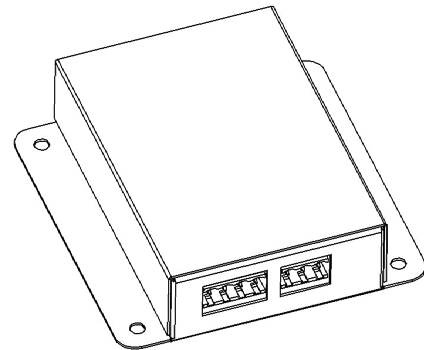
QS J-Box Power Supply

The QS J-Box power supply (QSPS-J-1-50) is a 24 V_{DC} hard wired power supply that is used with Lutron QS lighting and shading devices.

The J-Box power supply is mounted on a 4 inch square junction box. The power supply is protected electronically in the event of a output miswire, and will automatically reset when wiring is corrected.

Features

- 24 V_{DC} power supply that provides power to shades, keypads, and accessories
- Simple wiring scheme uses 4-conductor, low voltage link to provide power and communication for both QS electronic drive units (EDUs) and seeTouch® QS keypads
- Flexible wiring topology for easy installation and integration
- Form factor allows the power supply to be hidden in utility spaces.



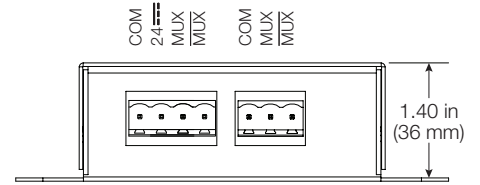
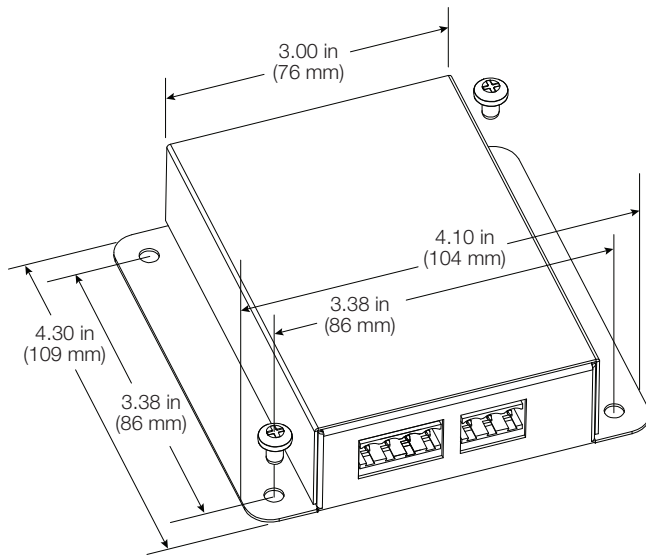
Job Name:	Model Numbers:
Job Number:	

Specifications

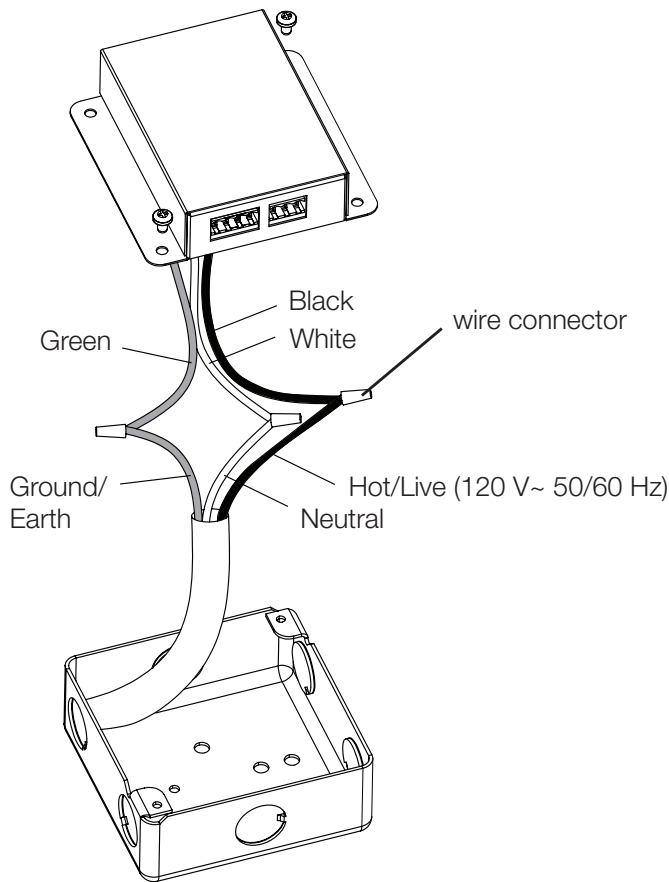
Input Voltage -	120 V~
Input Current -	1 A
Output Voltage -	24 V===
Operating Frequency -	50/60 Hz
ESD Protection -	(+/-) 16 kV
Output Miswire Protection -	Electronic Automatic Reset
Thermal Protection -	Electronic Automatic Reset
Wiring -	Must be installed by a qualified electrician
Primary Wires -	Three 6 in. 18 AWG flying leads with wire connectors
Main/Supply Wiring -	14-18 AWG and rated at least 75 C
Output Wiring -	4-conductor (power and communication; COM, +24 V, MUX, $\overline{\text{MUX}}$) 12-18 AWG stranded, twisted/shielded
	3-conductor (communication only; COM, MUX, $\overline{\text{MUX}}$) 12-26 AWG stranded, twisted/shielded
Output Connections -	Terminal Blocks
Weight -	1.1 lb (0.495 kg)
Regulatory -	cULus 1310 Class 2 (File # E342153)
Warranty -	Limited Warranty go to: www.lutron.com/technicaldocumentlibrary/window_systems_warranty.pdf

Job Name:	Model Numbers:
Job Number:	

Dimensions



Primary Wiring



Job Name:	Model Numbers:
Job Number:	

QS Link Wiring

Link Rules

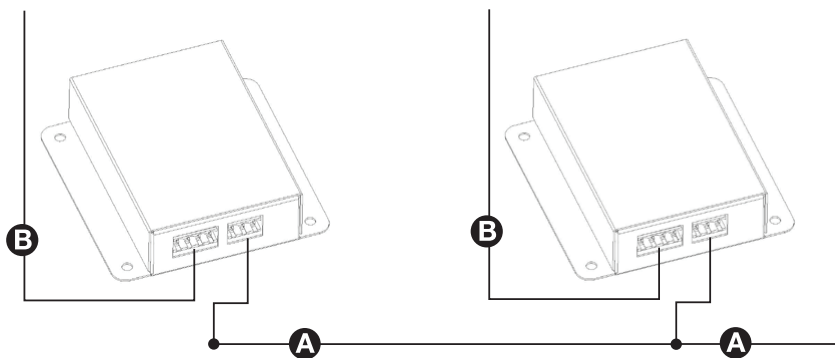
The following link rules must be observed for proper operation.

- Only use cable with at least one twisted/shielded pair for communications (MUX and MUX)
- All secondary wiring must be of type CL2, CL2P, CL2R, CL2X or other cable with equivalent or better electrical, mechanical, and flammability ratings in accordance with local and national electric code.
- Total length of power supply link (A) wire plus device link (B) wire in entire system must be less than 2000 ft (609 m)

Maximum devices powered from one QSPS-J-1-50		Total wire length of link (B) based on wire gauge		
Shades	Controls	12 AWG (4 mm ²) QSH-CBL-L-500	16 AWG (1.5 mm ²) QSH-CBL-M-500	18 AWG (1 mm ²) GRX-CBL-346S-500
None	Up to 8 power draw units**	2000 ft (600 m)		1500 ft (450 m)
1 Sivoia QS shade/drapery drive unit	Up to 1 power draw unit*	250 ft (75 m)	100 ft (30 m)	50 ft (15 m)

* 1 seeTouch® QS keypad is equal to 1 power draw unit. See document 369405 for a list of PDUs per product.

** 1 QSE-CI-NWK-E is equal to 2 power draw units



A Communication link (3 conductor)
Communications used to connect power supplies to each other or to GRAFIK Eye QS
12-26 AWG standard, twisted/shielded

B Power and communication link (4 conductor)
Provides power and communication to QS shades or keypads
12-18 AWG standard, twisted/shielded

Job Name:	Model Numbers:
Job Number:	