

Lutron® Pleated Shades

Lutron® Honeycomb Shades

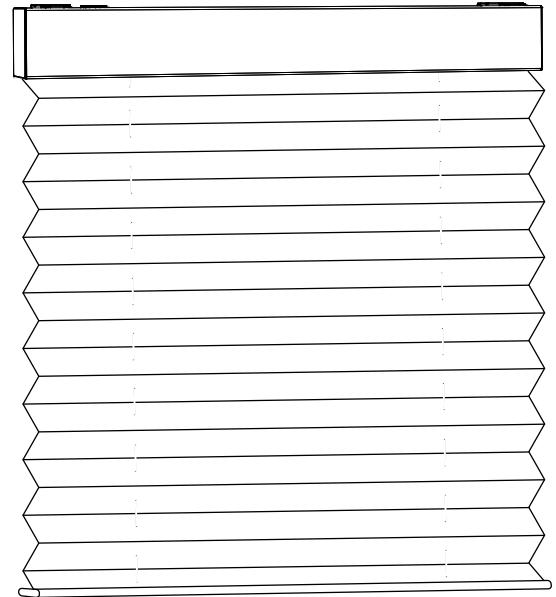
Lutron® Pleated and Honeycomb Shades are operated by ultra-quiet, precision control drives. The shade drive is housed in the headrail and provides smooth, quiet movement, keeps track of shade position, and adjusts the shade to user-defined presets, offering privacy and light control at the touch of a button. Shades are equipped for control by Sivoia® QS Wireless systems.

Aesthetics

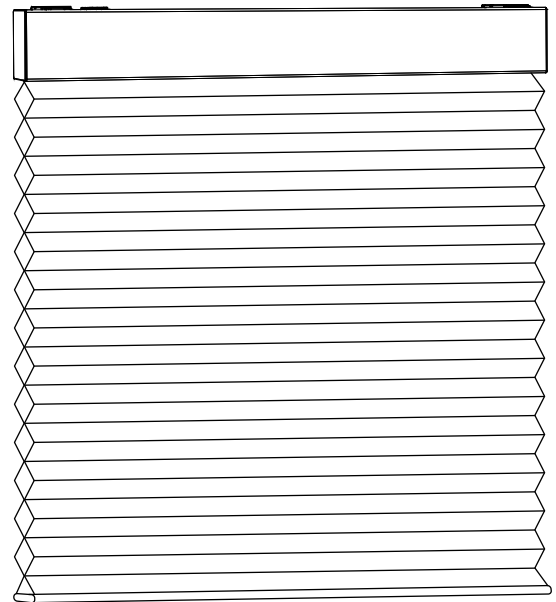
- Aluminum headrail and bottom bar provide clean, minimalist look for applications without additional top treatment
- Sheer, translucent light filtering, and room darkening styles available in a wide variety of fabrics and colors
- Low-profile mounting brackets and shade drive controls minimize light gap at the top of the headrail

Design

- Shades offer programmable stop points and go to a pre-determined height when a preset is recalled at the touch of a button
- Multiple presets can be defined for the same shade or group of shades
- Compatible with all Sivoia® QS and Sivoia® QS Wireless systems
- Simple installation for both inside mount and outside mount applications
- Provides maximum window coverage with the smallest possible light gaps; 1/16 in (1.6 mm) from end caps to fabric edges



Pleated



Honeycomb

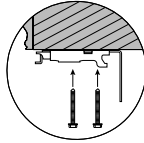
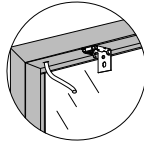
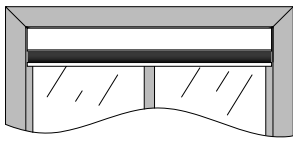
Job Name:

Model Numbers:

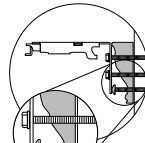
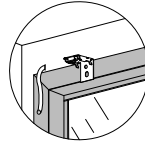
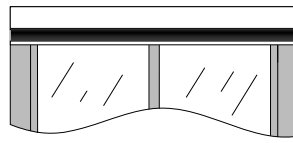
Job Number:

Mounting Options

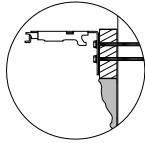
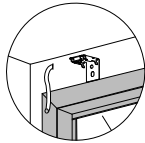
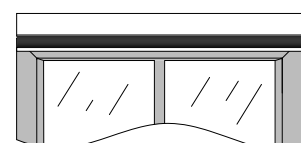
Brackets can be inside mounted, outside mounted on trim or outside mounted above trim.



Inside mount
Minimum jamb depth for full recess: 2.75 in (70 mm)

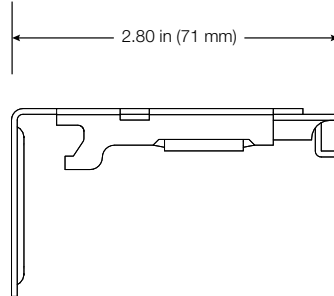
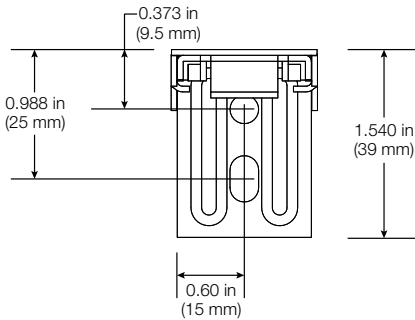
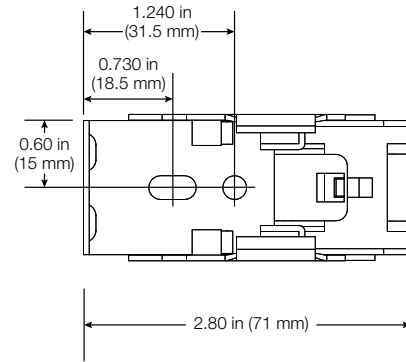
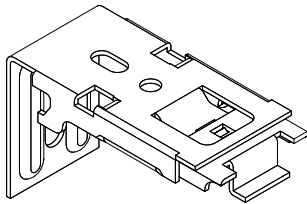


Outside mount on trim

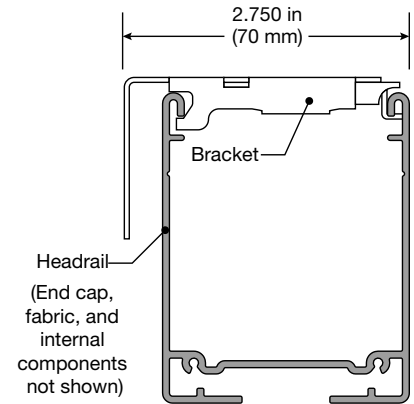


Outside mount above trim

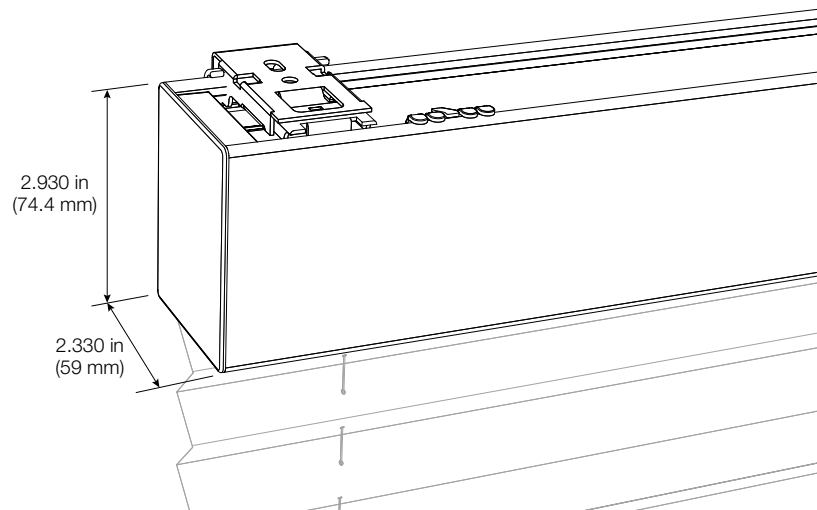
Locking Bracket



System Profile



Headrail Dimensions



Job Name:

Model Numbers:

Job Number:

Specifications

Safety

- UL 325 certified
- Fully compliant with WCMA safety standards for corded shades

Power

- Operating voltage: Low-voltage Class 2, 24 V \overline{DC} power supply required
- Control system power supply offers (spike and brownout) overvoltage protection (+/- 10% of line voltage) for all devices in the system
- Power supply provides appropriate Electro Static Discharge (ESD) protection for all devices in the system
- Power must be derived from a Lutron approved NEC® Class 2 power source

System Capacity

- System allows for a total of 100 devices, such as a Sivoia® QS shade, a seeTouch® QS keypad, a GRAFIK Eye® QS, and QS power supplies
- System allows for a total of 100 zones, including Sivoia® QS shades and GRAFIK Eye® QS

Performance

- Each shade stores presets positioned at any stop point along the shade's travel, as well as full open and full close shade limits
- Each EDU is capable of stopping with the accuracy of 0.125 in (3 mm) steps for the entire travel of the shade
- Preset points can be located at any point between the open/close limits and are adjustable with a 5 second button push and hold from the seeTouch® QS keypads or GRAFIK Eye® QS
- For systems with multiple EDUs, shades smoothly move in unison and maintain alignment within 0.125 in (3 mm)
- Limits are programmable and adjustable from the EDUs, wall-mounted seeTouch QS keypads, GRAFIK Eye® QS, Radio Ra®2, or HomeWorks® QS

Grouping

- System keypads can control any EDU, group, or subgroup without a separate group controller or additional interface
- System groups and subgroups can be reconfigured at the point of control without rewiring and without access to the EDU
- Controls within this system are able to operate any group or subgroup of EDUs, regardless of window treatment type

Integration

- EDUs seamlessly integrate with Lutron lighting controls without a separate interface
- Contact closure, R232, and ethernet able to integrate with A/V equipment such as timeclocks and security systems

Controls

- Shades can be controlled by built-in shade columns on a GRAFIK Eye® QS, or by seeTouch® QS keypads
- seeTouch® QS keypads are low voltage
- Microprocessors are contained in the EDU, GRAFIK Eye® QS, and seeTouch® QS keypads, allowing high level programming from either source
- All Sivoia® QS shades, GRAFIK Eye® QS and seeTouch® QS keypads are wired together on the same communications link

Job Name: Job Number:	Model Numbers:
--	-----------------------

Limited Warranty

SCOPE

This limited warranty ("Warranty") covers the Lutron supplied (a) Sivoia® QS Shade System ("Sivoia® QS Shade System"), (b) Sivoia QED® Shade System ("Sivoia QED® Shade System"), (c) manual shade system and (d) alternating current or a/c shade system (each of the foregoing being a "System"). Customer acknowledges and agrees that use of the System constitutes acceptance of all terms and conditions of this Warranty.

LIMITED WARRANTY

Subject to the exclusions and restrictions described below, Lutron warrants that each System will be free from manufacturing defects from the date of shipment by Lutron for a period of (a) one year as to the wall controls, interfaces and system accessories of the Sivoia® QS Shade System ("External Sivoia® QS Components") and (b) eight years as to the other Systems and the electronic drive unit, shade fabric and shade hardware of the Sivoia® QS Shade System. If any manufacturing defect exists in the External Sivoia® QS Components, so long as Customer promptly notifies Lutron of the defect within the one year warranty period and, if requested by Lutron, returns the defective part(s), Lutron will, at its option, either repair the defective part(s) or provide comparable replacement part(s). If any manufacturing defect exists in any of the components of a System other than the External Sivoia® QS Components, so long as Customer promptly notifies Lutron of the defect within the eight year warranty period and, if requested by Lutron, returns the defective part(s), Lutron will, at its option, either repair the defective part(s) or issue a credit to the Customer against the purchase price of comparable replacement part(s) purchased from Lutron as provided below:

Replacement parts for the System provided by Lutron or, at its sole discretion, an approved vendor may be new, used, repaired, reconditioned, and/or made by a different manufacturer.

Number of years from date of shipment	Percentage of cost of replacement parts credited by Lutron
Up to 5	100%
More than 5 but not more than 8	50%
More than 8	0%

EXCLUSIONS AND RESTRICTIONS

This Warranty will be void, and Lutron and its suppliers will have no responsibility under this Warranty, if Lutron or its representatives cannot access any components of the System to inspect, diagnose problems with or repair the System or any of its components as a result of concealment or inaccessibility of such components within a building structure.

This Warranty does not cover, and Lutron and its suppliers are not responsible for:

1. Damage, malfunction or inoperability diagnosed by Lutron or a Lutron approved third party as caused by normal wear and tear, abuse, misuse, incorrect installation, neglect, accident, interference or environmental factors, such as (a) use of incorrect line voltages fuses or circuit breakers; (b) failure to install, maintain and operate the System pursuant to the operating instructions provided by Lutron and the applicable provisions of the National Electrical Code and of the Safety Standards of Underwriter's Laboratories; (c) use of incompatible devices or accessories; (d) improper or insufficient ventilation; (e) unauthorized repairs or adjustments or alterations; (f) vandalism; (g) an act of God, such as fire, lightning, flooding, tornado, earthquake, hurricane or other problems beyond Lutron's control; or (h) direct exposure to corrosive materials.
2. On-site labor costs to diagnose issues with, and remove, repair, replace, adjust, reinstall and/or reprogram the System or any of its components.
3. Components and equipment external to the System, such as, non-Lutron lighting and automation systems; building wiring audio-visual equipment; and non-Lutron time clocks, photosensors and motion detectors.
4. The cost of repairing or replacing other property that is damaged when any System does not work properly, even if the damage was caused by the System.

Job Name:	Model Numbers:
Job Number:	

Limited Warranty (continued)

THIS WARRANTY IS IN LIEU OF ALL OTHER EXPRESS WARRANTIES. ALL IMPLIED WARRANTIES, INCLUDING THE IMPLIED WARRANTIES OF MERCHANTABILITY AND OF FITNESS FOR A PARTICULAR PURPOSE, ARE LIMITED TO EIGHT YEARS FROM THE DATE OF SHIPMENT, EXCEPT THAT SUCH IMPLIED WARRANTIES ARE LIMITED TO ONE YEAR FROM THE DATE OF SHIPMENT AS TO THE EXTERNAL Sivoia QS COMPONENTS.

NO LUTRON AGENT, EMPLOYEE OR REPRESENTATIVE HAS ANY AUTHORITY TO BIND LUTRON TO ANY AFFIRMATION, REPRESENTATION OR WARRANTY CONCERNING THE SYSTEMS. UNLESS AN AFFIRMATION, REPRESENTATION OR WARRANTY MADE BY AN AGENT, EMPLOYEE OR REPRESENTATIVE IS SPECIFICALLY INCLUDED HEREIN, OR IN STANDARD PRINTED MATERIALS PROVIDED BY LUTRON, IT DOES NOT FORM A PART OF THE BASIS OF ANY BARGAIN BETWEEN LUTRON AND CUSTOMER AND WILL NOT IN ANY WAY BE ENFORCEABLE BY CUSTOMER.

IN NO EVENT WILL LUTRON OR ANY OTHER PARTY BE LIABLE FOR EXEMPLARY, CONSEQUENTIAL, INCIDENTAL OR SPECIAL DAMAGES (INCLUDING, BUT NOT LIMITED TO DAMAGES FOR PERSONAL INJURY, FAILURE TO MEET ANY DUTY, INCLUDING OF GOOD FAITH OR REASONABLE CARE, NEGLIGENCE, OR ANY OTHER LOSS WHATSOEVER), NOR FOR ANY REPAIR WORK UNDERTAKEN WITHOUT LUTRON'S PRIOR WRITTEN CONSENT ARISING OUT OF OR IN ANY WAY RELATED TO THE INSTALLATION, DEINSTALLATION, USE OF OR INABILITY TO USE THE SYSTEM OR OTHERWISE UNDER OR IN CONNECTION WITH ANY PROVISION OF THIS WARRANTY, EVEN IN THE EVENT OF THE FAULT, TORT (INCLUDING NEGLIGENCE), STRICT LIABILITY, BREACH OF CONTRACT OR BREACH OF WARRANTY OF LUTRON OR ANY OTHER PARTY, AND EVEN IF LUTRON OR SUCH OTHER PARTY WAS ADVISED OF THE POSSIBILITY OF SUCH DAMAGES.

NOTWITHSTANDING ANY DAMAGES THAT CUSTOMER MIGHT INCUR FOR ANY REASON WHATSOEVER (INCLUDING, WITHOUT LIMITATION, ALL DIRECT DAMAGES AND ALL DAMAGES LISTED ABOVE), THE ENTIRE LIABILITY OF LUTRON AND OF ALL OTHER PARTIES UNDER THIS WARRANTY ON ANY CLAIM FOR DAMAGES ARISING OUT OF OR IN CONNECTION WITH THE MANUFACTURE, SALE, INSTALLATION, DELIVERY, USE, REPAIR, OR REPLACEMENT OF THE SYSTEM, AND CUSTOMER'S SOLE REMEDY FOR THE FOREGOING, WILL BE LIMITED TO THE AMOUNT PAID BY CUSTOMER FOR THE SYSTEM. THE FOREGOING LIMITATIONS, EXCLUSIONS AND DISCLAIMERS WILL APPLY TO THE MAXIMUM EXTENT ALLOWED BY APPLICABLE LAW, EVEN IF ANY REMEDY FAILS ITS ESSENTIAL PURPOSE.

THIS WARRANTY GIVES YOU SPECIFIC LEGAL RIGHTS. YOU MAY ALSO HAVE OTHER RIGHTS WHICH VARY FROM STATE TO STATE. SOME STATES DO NOT ALLOW LIMITATIONS ON HOW LONG AN IMPLIED WARRANTY LASTS OR THE EXCLUSION OR LIMITATION OF INCIDENTAL OR CONSEQUENTIAL DAMAGES, SO THE ABOVE LIMITATIONS OR EXCLUSIONS MAY NOT APPLY TO YOU.

WARRANTY CLAIMS, TECHNICAL ASSISTANCE AND WARRANTY INFORMATION.

Contact the Lutron Technical Support Center at the numbers provided below or your local Lutron sales representative with questions concerning the installation or operation of the System or this Warranty, or to make a warranty claim. Please provide the exact model number when calling.

U.S. and foreign patents pending.

Job Name: Job Number:	Model Numbers:
----------------------------------	----------------

Technical Assistance

WORLD HEADQUARTERS

Lutron Electronics Co., Inc.
7200 Suter Road
Coopersburg, PA 18036
United States
Tel: +1.610.282.3800
Fax: +1.610.282.1243

ASIAN HEADQUARTERS

Lutron GL Ltd.
15 Hoe Chiang Road
#07-03 Tower Fifteen
Singapore 089316
Tel: +65.6220.4666
Fax: +65.6220.4333
lutronsea@lutron.com

EUROPEAN HEADQUARTERS

Lutron EA Ltd.
6 Sovereign Close
London, E1W 3JF
United Kingdom
Tel: +44.(0)20.7702.0657
Fax: +44.(0)20.7480.6899

CUSTOMER SERVICE/ORDERING

UK +44.(0)20.7702.0657 –
09.00 - 18.00 GMT
USA +1.610.282.3800 –
08.00 - 20.00 EST

CUSTOMER SERVICE /E-MAIL

shadinginfo@lutron.com

TECHNICAL SUPPORT & SERVICES

USA +1.800.523.9466
24 hours/7 days
UK +44.(0)20.7702.0657
09.00 - 18.00 GMT

INTERNET:

www.lutron.com

ADDITIONAL LUTRON SALES OFFICES:

Germany

Tel: +49.309.710.4590
Fax: +49.309.710.4591
FREEPHONE
00800.5887.6635

France

Lutron Ltc, S.A.R.L.-Paris
90 rue Villiers
92300 Levallois Perret,
France
Tel: +33.1.41.05.42.80
Fax: +33.1.41.05.01.80
FREEPHONE: 0800.90.12.18
lutronfrance@lutron.com

Spain-Madrid

Tel: +34.91.567.84.79
Fax: +34.91.567.84.78
FREEPHONE 0900.948.944

Spain-Barcelona

Tel: +34.93.496.57.42
Fax: +34.93.496.57.50
FREEPHONE 0900.948.944

Hong Kong

Tel: +852.2104.7733
Fax: +852.2104.7633

Beijing

Tel: +86.10.5877.1817
Fax: +86.10.5877.1816

Singapore

LUTRON GL Ltd. -
Singapore
15 Hoe Chiang Road
#7-03 Tower 15
Singapore 089316
Tel: +65.6220.4666
Fax: +65.6220.4333

Japan

Tel: +81.3.5575.8411
Fax: +81.3.5575.8420

www.lutron.com/shadingsolutions

USA and Canada (24 hrs/7days):

call: 800.523.9466

Other countries (8 a.m. – 8 p.m. ET)

call: +1.610.282.3800

fax: +1.610.282.3090

email: shadinginfo@lutron.com

Shades Customer Service

USA and Canada (24 hrs/7days):

call: 800.446.1503

Job Name:	Model Numbers:
Job Number:	