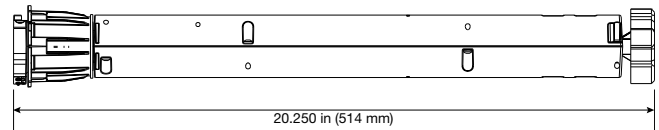
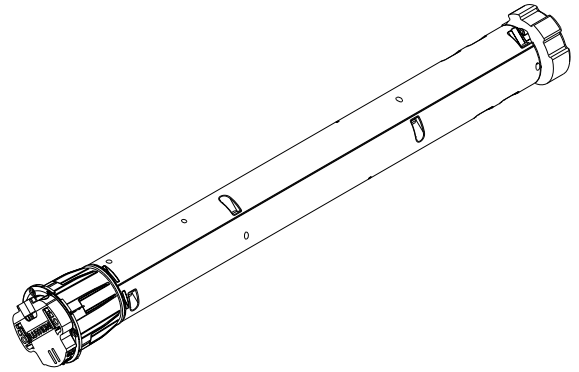


## Sivoia® QS | roller 100™ Electronic Drive Unit (EDU)

The ultra-quiet, precision-controlled Sivoia® QS roller 100™ Electronic Drive Unit (EDU) controls movement of a shade, keeps track of the shade's position, and adjusts the shade to the user's desired preset positions.

### Features

- Ultra-quiet operation: will not exceed 38 dBA measured 3 ft (1 m) from the EDU
- Moves in unison and maintains alignment with like drives; accurate within 0.125 in (3 mm)
- Smooth, silent starts and stops in both roller shade and roman shade applications
- Offers programmable stop points, tracks the position of the shade, and adjusts it to predetermined positions at the touch of a button
- Low-voltage power
- Power failure memory for the lifetime of the product
- Available individually and in cartons of 10
- Covered by the Lutron Electronics Company Inc. [Shading Solutions 8 year limited warranty](#)



Sivoia® QS roller 100™ Electronic Drive Unit  
Model QSSC-EDU-R100

## Specifications

### Power

- Power must be derived from a Lutron® approved NEC® Class 2 power source
- Operating Voltage: Low-voltage Class 2, 24-36 V== power supply required
- Control system power supply offers (spike and brownout) overvoltage protection (+/- 10% of line voltage) for all devices in the system
- Power supply provides appropriate Electro Static Discharge (ESD) protection for all devices in the system

### Operating Parameters

- Maximum Torque: 25 in-lbs (2,82 N•m)
- Maximum Power: 37 W
- Speed: 26.7 RPM
- Temperature Range: 32° - 104° F (0° - 40° C)
- Humidity: 0% - 90% Non-Condensing

### Performance

- Allows for symmetrical light gaps as small as 0.75 in (19 mm) on each side
- EDU stores presets positioned at any stop point along the shade's travel, as well as full open and full close shade limits
- EDU is capable of stopping with the accuracy of 0.125 in (3 mm) steps over the entire travel distance of the shade
- Preset positions can be located at any point between the open/close limits, and are adjustable with a 5-second button push and hold from seeTouch® QS keypads or GRAFIK Eye® QS
- For systems with multiple EDUs, shades move smoothly in unison and maintain alignment within 0.125 in (3 mm) accuracy
- Limits are programmable and adjustable from the EDU's on-board controls, seeTouch® QS keypads and/or GRAFIK Eye® QS.

## Related Components for Roller Shades

Tube & Screws	Idler	Wall Brackets	Ceiling Brackets	Jamb Brackets	Dual Brackets
SVQ-2-5-TUBE-9 SVQ-SK-KIT50	SVQ-IDL-KIT50 SVQ-IDLSUP-KIT50 SVQ-IDLADJ-KIT50	SVQ-WB-S-KIT50 SVQ-WB-L-KIT50 SVQ-WB-R-KIT50	SVQ-CB-S-KIT50 SVQ-CB-L-KIT50 SVQ-CB-R-KIT50	SVQ-JB-S-KIT50	QSSC-BRK-100D

### Product Specification: Sivoia® QS roller™ 100 EDU

Page 1

P/N 085321 Rev B

## Related Components for Roman Shades

Tube & Screws	Idler	Roman Shade Brackets
SVQ-2-5-TUBE-9 SVQ-SK-KIT50	SVQ-IDL-KIT50 SVQ-IDLSUP-KIT50 SVQ-IDLADJ-KIT50	SVQ-RB-KIT50

### IMPORTANT SAFETY NOTICE:

Window shades or blinds are subject to industry and, in some cases, government standards intended to enhance safety and to protect children against risk of strangulation from entanglement in window cords or bands. Among other things, these standards govern the treatment of exposed cords or bands, warning labels and hang tags, and the spacing of pleats in finished shades or blinds.

You are responsible for ensuring that your finished window shades or blinds meet applicable standards. For more information, go to: [www.wcmanet.org](http://www.wcmanet.org), [www.cpsc.gov](http://www.cpsc.gov) (USA), or [www.hc-sc.gc.ca](http://www.hc-sc.gc.ca) (Canada), as applicable. For countries other than the USA or Canada, please consult applicable industry trade associations and government safety agencies.