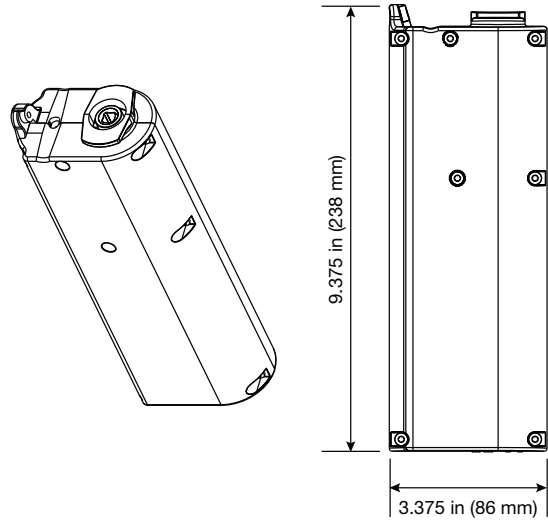


Sivoia QS® | D145 Drapery Electronic Drive Unit (EDU)

The Lutron® D145 Drapery Electronic Drive Unit is ultra-quiet, precision controlled, and capable of operating drapery weighing up to 145 lbs (65.8 kg).

Features

- Ultra-quiet operation: will not exceed 38 dBA measured 3 ft (1 m) from the EDU
- Compatible with Sivoia QS Wireless and Sivoia QS operating types
- Smooth, silent starts and stops
- 24 V_{DC} low-voltage power
- Power failure memory for the lifetime of the product
- Available individually and in cartons of 10
- Covered by the Lutron Electronics Company Inc. [Shading Solutions 8 year limited warranty](#)



Sivoia® QS D145 Drapery Electronic Drive Unit
Model QSSC-EDU-D145

Specifications

Power

- Power must be derived from a Lutron® approved NEC® Class 2 power source
- Operating Voltage: Low-voltage Class 2, 24 V_{DC} power supply required
- Control system power supply offers (spike and brownout) overvoltage protection (+/- 10% of line voltage) for all devices in the system
- Power supply provides appropriate Electro Static Discharge (ESD) protection for all devices in the system

Operating Parameters

- Maximum Torque: 9.0 in-lbs (1,02 N•m)
- Maximum Power: 40 W
- Speed: 86.0 RPM
- Temperature Range: 32° - 104° F (0° - 40° C)
- Humidity: 0% - 90% Non-Condensing

Performance

- EDU stores presets positioned at any stop point along the shade's travel, as well as full open and full close shade limits
- EDU is capable of stopping with the accuracy of 0.125 in (3 mm) steps over the entire travel distance of the drapery
- Preset positions can be located at any point between the open/close limits, and are adjustable with a 5-second button push and hold from seeTouch® QS keypads or GRAFIK Eye® QS
- Limits are programmable and adjustable from the EDU's on-board controls, seeTouch® QS keypads and/or GRAFIK Eye® QS.

Related Components

Track Hardware	Pinchpleat Hardware	Ripplefold Hardware	Wall Brackets	Ceiling Brackets
SQD-IDL-KIT6 SQD-TRK-6 SQD-RALBX-KIT6 SQD-BELT-350	SQD-HOOK-200 SQD-C-BLM-KIT6 SQD-C-BRM-KIT6 SQD-C-BTM-KIT6 SQD-C-A-200 SQD-C-LLM-KIT6 SQD-C-LRM-KIT6 SQD-C-SLM-KIT6 SQD-C-SRM-KIT6	SQD-R-C100-1000 SQD-R-C120-1000 SQD-R-C80-1000 SQD-R-P-250 SQD-R-MB-6 SQD-R-CDM-KIT6 SQD-R-SDM-KIT6 SQD-BELTMSR-RC SQD-BELTMSR-RS SQD-R-BELTATT	SQD-WB-50 SQD-DWB-50	SQD-CB-50

Product Specification: Sivoia® QS D145 EDU

Page 1

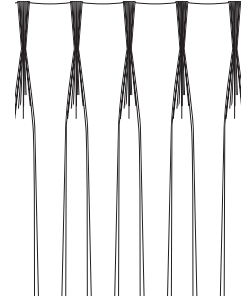
P/N 085325 REV A

System capacity

D145 - pinch pleat capacity

Use this table to determine the maximum drapery panel size the *D145* drapery system can operate, based on height and weight.

Sivoia® QS D145 pinch pleat system capacity			
System width	Straight track	Curved track, 1 bend	Curved track, 2 bends
24 in to 32 in (610 mm to 813mm)	20 lbs (9.1kg)	N/A	N/A
32 in to 44 in (813 mm to 1118 mm)	30 lbs (13.6 kg)	30 lbs (13.6 kg)	N/A
44 in to 56 in (1118 mm to 1422 mm)	40 lbs (18.1kg)	40 lbs (18.1kg)	N/A
56 in to 68 in (1422 mm to 1727 mm)	55 lbs (24.9 kg)	55 lbs (24.9 kg)	40 lbs (18.1kg)
68 in to 84 in (1727 mm to 2134 mm)	65 lbs (29.5 kg)	65 lbs (29.5 kg)	45 lbs (20.4 kg)
84 in to 108 in (2134 mm to 2743 mm)	80 lbs (36.3 kg)	80 lbs (36.3 kg)	50 lbs (22.7 kg)
108 in to 144 in (2473 mm to 3658 mm)	105 lbs (47.6 kg)	85 lbs (38.6 kg)	50 lbs (22.7 kg)
144 in to 180 in (3658 mm to 4572 mm)	145 lbs (65.8 kg)	90 lbs (40.8 kg)	55 lbs (24.9 kg)
180 in to 216 in (4572m to 5486 mm)	135 lbs (61.2 kg)	95 lbs (43.1 kg)	55 lbs (24.9 kg)
216 in to 252 in (5486 mm to 6401 mm)	120 lbs (54.4 kg)	95 lbs (43.1 kg)	55 lbs (24.9 kg)
252 in to 288 in (6401 mm to 7315 mm)	110 lbs (49.9 kg)	95 lbs (43.1 kg)	50 lbs (22.7 kg)
288 in to 324 in (7315 mm to 8230 mm)	100 lbs (45.4 kg)	90 lbs (40.8 kg)	50 lbs (22.7 kg)
324 in to 360 in (8230 mm to 9144 mm)	90 lbs (40.8 kg)	85 lbs (38.6 kg)	45 lbs (20.4 kg)



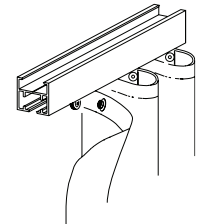
Notes:

- Pinch pleat fullness of 3:1 is allowable for sheer drapes only. All other drapes must have a fullness of no greater than 2.5:1
- Curved radius to be 20 in (0.5 m) or greater

D145 - ripplefold capacity

Use this table to determine the maximum drapery panel size the *D145* drapery system can operate, based on height and weight.

Sivoia® QS D145 ripplefold system capacity	
System width	Straight track
24 in to 32 in (610 mm to 813mm)	30 lbs (13.6 kg)
32 in to 44 in (813 mm to 1118mm)	40 lbs (18.1kg)
44 in to 56 in (1118 mm to 1422 mm)	55 lbs (24.9 kg)
56 in to 68 in (1422 mm to 1727 mm)	70 lbs (31.8 kg)
68 in to 84 in (1727 mm to 2134 mm)	85 lbs (38.6 kg)
84 in to 108 in (2134 mm to 2743 mm)	105 lbs (47.6 kg)
108 in to 132in (2743 mm to 3353 mm)	140 lbs (63.5 kg)
132 in. to 168 in.(3353 to 4267 mm)	125 lbs (56.7 kg)
168 in. to 216 in. (4267 mm to 5486 mm)	90 lbs (40.8 kg)
216 in. to 252 in. (5486 mm to 6401 mm)	50 lbs (22.7 kg)



Note: Ripplefold is available in 3 fullness factors: 80%, 100%, 120% (Not available with curved tracks)

Product Specification: Sivoia® QS D145 EDU

Page 2

P/N 085325 REV A

Technical Assistance

WORLD

HEADQUARTERS

Lutron Electronics Co., Inc.
7200 Suter Road
Coopersburg, PA 18036
United States
Tel: +1.610.282.3800
Fax: +1.610.282.1243

ASIAN

HEADQUARTERS

Lutron GL Ltd.
15 Hoe Chiang Road
#07-03 Tower Fifteen
Singapore 089316
Tel: +65.6220.4666
Fax: +65.6220.4333
lutronsea@lutron.com

EUROPEAN

HEADQUARTERS

Lutron EA Ltd.
6 Sovereign Close
London, E1W 3JF
United Kingdom
Tel: +44.(0)20.7702.0657
Fax: +44.(0)20.7480.6899

CUSTOMER SERVICE/ ORDERING

UK +44.(0)20.7702.0657 –
09.00 - 18.00 GMT
USA +1.610.282.3800 –
08.00 - 20.00 EST

CUSTOMER SERVICE /E-MAIL

shadinginfo@lutron.com

TECHNICAL SUPPORT & SERVICES

USA +1.610.282.3800 –
24 hours/7 days
UK +44.(0)20.7702.0657
09.00 - 18.00 GMT

INTERNET:

www.lutron.com

ADDITIONAL LUTRON SALES OFFICES:

Germany

Tel: +49.309.710.4590
Fax: +49.309.710.4591
FREEPHONE
00800.5887.6635

France

Lutron Ltc, S.A.R.L.-Paris
90 rue Villiers
92300 Levallois Perret,
France
Tel: +33.1.41.05.42.80
Fax: +33.1.41.05.01.80
FREEPHONE: 0800.90.12.18
lutronfrance@lutron.com

Spain-Madrid

Tel: +34.91.567.84.79
Fax: +34.91.567.84.78
FREEPHONE 0900.948.944

Spain-Barcelona

Tel: +34.93.496.57.42
Fax: +34.93.496.57.50
FREEPHONE 0900.948.944

Hong Kong

Tel: +852.2104.7733
Fax: +852.2104.7633

Beijing

Tel: +86.10.5877.1817
Fax: +86.10.5877.1816

Singapore

LUTRON GL Ltd. -
Singapore
15 Hoe Chiang Road
#7-03 Tower 15
Singapore 089316
Tel: +65.6220.4666
Fax: +65.6220.4333

Japan

Tel: +81.3.5575.8411
Fax: +81.3.5575.8420

www.lutron.com/shadingsolutions

USA and Canada (24 hrs/7days):
call: 800.523.9466

Other countries (8 a.m. – 8 p.m. ET)
call: +1.610.282.3800
fax: +1.610.282.3090

email: shadinginfo@lutron.com

Shades Customer Service

USA and Canada (24 hrs/7days):
call: 800.446.1503