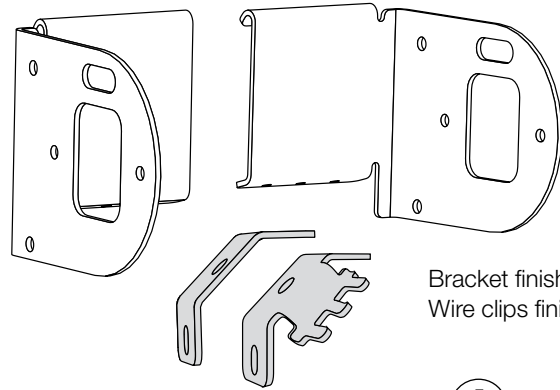


Armstrong AXIOM® compatible brackets and wire management

Brackets provide faster and simpler installation for Lutron Sivoia QS Roller 100, Roller 100 WIDR, Roller 150, Roller 150 WIDR, Roller 300, and Contract QS motorized roller shade mounting in the Armstrong AXIOM® pocket.

- Compatible with straight coupled shade assemblies.
- Includes wire management clips to easily route and hide wires in the pocket.



Bracket finish: White
Wire clips finish: Galvanized

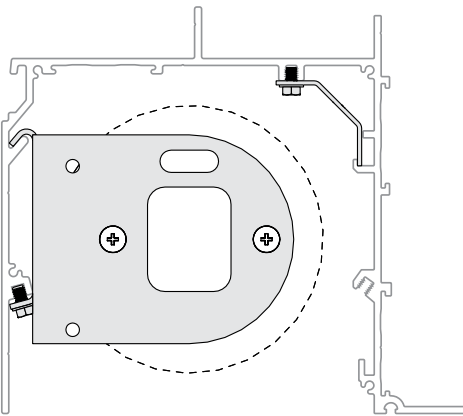
Specification

- **Material:** 14 gauge (0.078 in) steel
- **Compatibility:** Please refer to armstrong.com/axiom



Armstrong AXIOM® Building Perimeter System Integrated Lutron Shade Pocket		
Item	Description	Size
Compatible Perimeter Pockets		
AXP355L	3-Sided Pocket for Lutron Bracket	120" x 5" x 5"
AXP355LS	3-Sided Pocket for Lutron Bracket - Seismic	120" x 5" x 5"
AXP355LE	3-Sided Pocket for Lutron Bracket - Exposed	120" x 5" x 5"
AXP355LExx (xx = Armstrong color code)	3-Sided Pocket for Lutron Bracket - Exposed in Colors	120" x 5" x 5"
AXPWCCP	Wall mount clip	2" x 2" x 1/2"
Compatible Closure Clips		
AXPCC3L	3" Closure Clip for Lutron Pocket	120" x 3"
AXPCC3Lxx (xx = Armstrong color code)	3" Closure Clip for Lutron Pocket in Colors	120" x 3"
Compatible Accessories		
AXP355LEEC	End Cap for AXP355LE	5" x 5"
AXP355LEECxx (xx = Armstrong color code)	End Cap for AXP355LE in Colors	5" x 5"
AXP355LECR	End Cap for AXP355L Right	5" x 5"
AXP355LECL	End Cap for AXP355L Left	5" x 5"
AXP355LSECR	End Cap for AXP355LS Right	5" x 5"
AXP355LSECL	End Cap for AXP355LS Left	5" x 5"

Mounting



Job Name:	Model Numbers:
Job Number:	