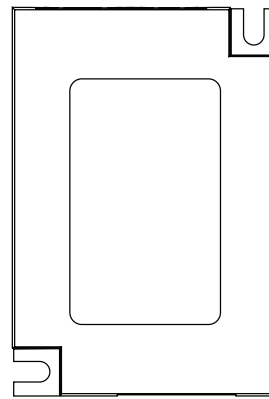
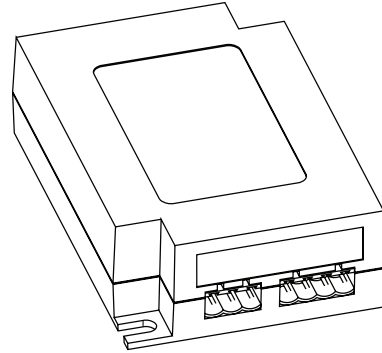


QS | Link power supply

The QS Link power supply (QSPS-P1-1-50/ QSPS-P2-1-50/ QSPS-P3-1-50) is a 24 V_{DC} plug in power supply that is used with Lutron® QS lighting or shading devices.

The Link power supply plugs into a standard receptacle. The power supply is protected electronically in the event of a miswire, and will automatically reset when wiring is corrected.



QSPS-P1-1-50
Link power supply



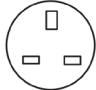
Features

- 24 V_{DC} supply that provides power to shades, drapery drive units, keypads, and accessories
- Simple wiring scheme uses 4-conductor, low voltage link to provide power and communication for QS electronic drive units (EDUs), see Touch® QS keypads and QS integration interfaces
- Mounting tabs and small size allow for discrete installation
- Universal input voltage (100-240 VAC) enables global specification

Job Name:	Model Numbers:
Job Number:	

Specifications

Input Voltage	100-240 V~
Input current (MAX)	1 A
Output Voltage	24 V _{DC}
Operating Frequency	50/60 Hz
ESD Protection	(+/-) 16 kV
Miswire Protection	Electronic Automatic Reset
Input Wiring	Available with 3 types of line cords. All 6 ft (1.8 m) Plugs into standard receptacle

- QSPS-P1-1-50**  NEMA 5-15 Plug
- QSPS-P2-1-50**  CEE 7/7 Plug
- QSPS-P3-1-50**  BS 1363 Plug

QS Link Wiring	4-conductor (power and communication) +24 V, COM, MUX, $\overline{\text{MUX}}$
	3-conductor (communication pass-through) COM, MUX, $\overline{\text{MUX}}$
Output connections	Detachable terminal blocks 12-26 AWG (4-0.15 mm ²) stranded, twisted/shielded
Weight	0.3 lb (0.14 kg)
Regulatory	UL (1310 CLASS2) CE (IEC 61558) CUL (CSA C22.2 #223)

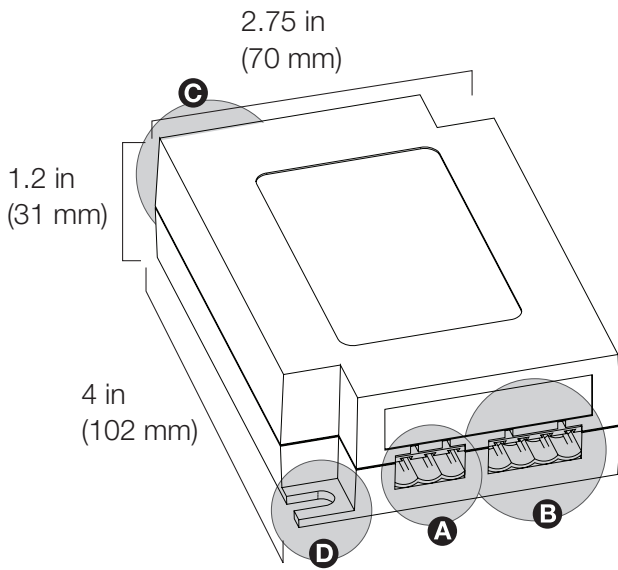
Job Name:	Model Numbers:
Job Number:	

Dimensions

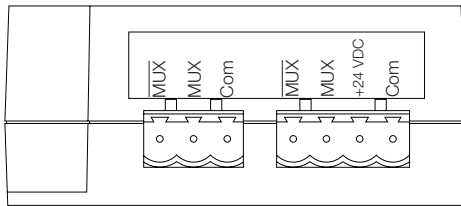
QSPS-P1-1-50

QSPS-P2-1-50

QSPS-P3-1-50



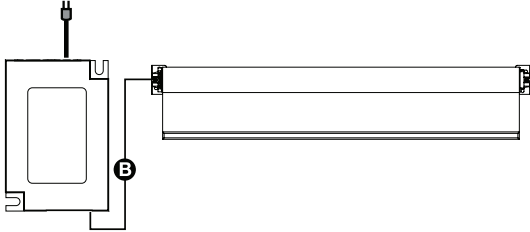
- A** 3-pin connector
Communication to additional Power supplies
- B** 4-pin connector
Power and Communication to QS shade or keypads
- C** Line voltage input
- D** Mounting tabs



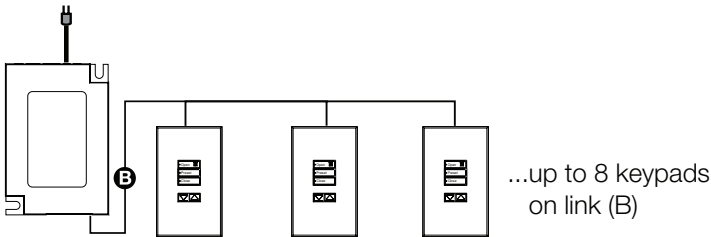
Job Name:	Model Numbers:
Job Number:	

System Wiring Overview: QS Link power supply

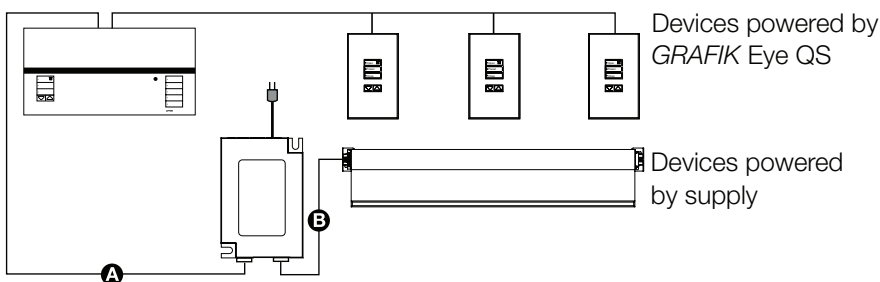
Example: Powering one shade / drapery drive unit
 (max of one shade / drapery drive unit per output of a power supply)



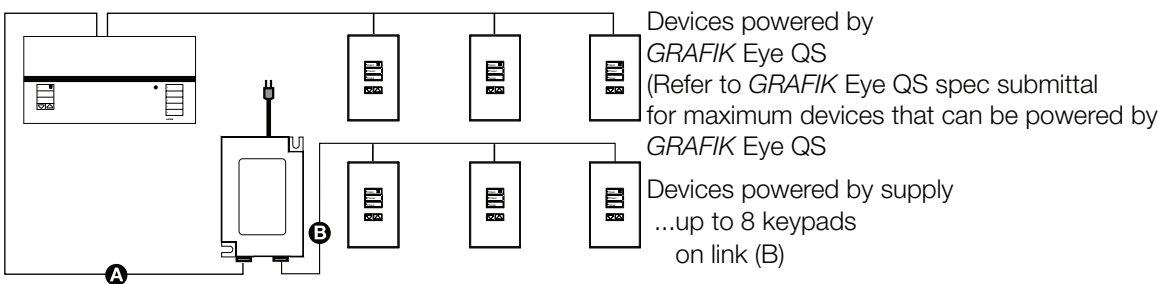
Example: Powering keypads



Example: Connecting to a *GRAFIK Eye*® QS (**Note:** *GRAFIK Eye* QS powered from line voltage)



Example: Connecting to a *GRAFIK Eye* QS (**Note:** *GRAFIK Eye* QS powered from line voltage)



- A** Communication link (3 conductor)
 Communications used to connect power supplies to each other or to *GRAFIK Eye* QS
 12-26 AWG (4-0.15 mm²) standard, twisted/shielded
- B** Power and communication link (4 conductor)
 Provides power and communication to QS shades or keypads
 12-26 AWG (4-0.15 mm²) standard, twisted/shielded

Job Name:	Model Numbers:
Job Number:	

QS Link Wiring

Link Rules

The following link rules must be observed for proper operation.

- Use only cable with at least one twisted/shielded pair for communications ($\overline{\text{MUX}}$ and MUX)
- Total length of power supply link (A) wire plus device link (B) wire in entire system must be less than 2000 ft (609 m)

Maximum devices powered from one QSPS-PX-1-50		Total wire length of link (B) based on wire gauge		
Shades	Controls	12 AWG (4 mm ²) QSH-CBL-L-500 QSH-CBLP-L-500	16 AWG (1.5 mm ²) QSH-CBL-M-500 QSH-CBLP-M-500	18 AWG (1 mm ²) GRX-CBL-346S-500
1 Slvoia QS shade/drapery drive unit	Up to 1 seeTouch® QS keypad	250 ft (75 m)	100 ft (30 m)	50 ft (15 m)
None	Up to 8 seeTouch® QS keypads*	1200 ft (350 m)	500 ft (150 m)	300 ft (90 m)

OR

* 2 seeTouch QS keypads may be exchanged for:

1 Ethernet & RS232 Control Interface (QSE-CI-NWK-E)

1 Contact Closure Input /Output Interface (QSE-IO)

Job Name:	Model Numbers:
Job Number:	

Technical and Sales Assistance

WORLD HEADQUARTERS
 Lutron Electronics Co., Inc.
 7200 Suter Road
 Coopersburg, PA 18036
 United States
 Tel: +1.610.282.3800
 Fax: +1.610.282.1243

ASIAN HEADQUARTERS
 Lutron GL Ltd.
 15 Hoe Chiang Road
 #07-03 Tower Fifteen
 Singapore 089316
 Tel: +65.6220.4666
 Fax: +65.6220.4333
 lutronsea@lutron.com

EUROPEAN HEADQUARTERS
 Lutron EA Ltd.
 6 Sovereign Close
 London, E1W 3JF
 United Kingdom
 Tel: +44.(0)20.7702.0657
 Fax: +44.(0)20.7480.6899

CUSTOMER SERVICE/ORDERING
 USA +1.610.282.3800 –
 08.00 - 20.00 EST
 UK +44.(0)20.7702.0657 –
 09.00 - 18.00 GMT

CUSTOMER SERVICE /E-MAIL
 shadinginfo@lutron.com

TECHNICAL SUPPORT & SERVICES
 USA +1.610.282.3800 –
 24 hours/7 days
 UK +44.(0)20.7702.0657
 09.00 - 18.00 GMT

INTERNET:
 www.lutron.com

ADDITIONAL LUTRON SALES OFFICES:
Germany
 Tel: +49.309.710.4590
 Fax: +49.309.710.4591
 FREEPHONE
 00800-5887 6635
France
 Lutron LTC, S.A.R.L.
 90 rue de Villiers
 92300 Levallois-Perret, France
 Tel: +33.(0)1.41.05.42.80
 Fax: +33.(0)1.41.05.01.80
 FREEPHONE: 0800.90.12.18
 lutronfrance@lutron.com

Spain-Madrid
 Tel: +34.91.567.84.79
 Fax: +34.91.567.84.78
 FREEPHONE 0900.948.944
Spain-Barcelona
 Tel: +34.93.496.57.42
 Fax: +34.93.496.57.50
 FREEPHONE 0900.948.944

Hong Kong
 Tel: +852.2104.7733
 Fax: +852.2104.7633
Beijing
 Tel: +86.10.5877.1817
 Fax: +86.10.5877.1816
Shanghai
 Tel: +86.21.6288.1473
 Fax: +86.21.6288.1751

Singapore
 LUTRON GL Ltd. - Singapore
 15 Hoe Chiang Road
 #7-03 Tower 15
 Singapore 089316
 Tel: +65.6220.4666
 Fax: +65.6220.4333

Japan
 Tel: +81.3.5575.8411
 Fax: +81.3.5575.8420

www.lutron.com/shadingsolutions

USA and Canada (24 hrs/7days):
 call: 800.523.9466

Other countries (8 a.m. – 8 p.m. ET)
 call: +1 610.282.3800
 fax: +1 610.282.3090

email: shadinginfo@lutron.com

Shades Customer Service

USA and Canada (24 hrs/7days):
 call: 800.446.1503

©2009 LUTRON Electronics Co., Inc.

Specification Submittal Sheet
 for QS Link power supply

Job Name:	Model Numbers:
Job Number:	