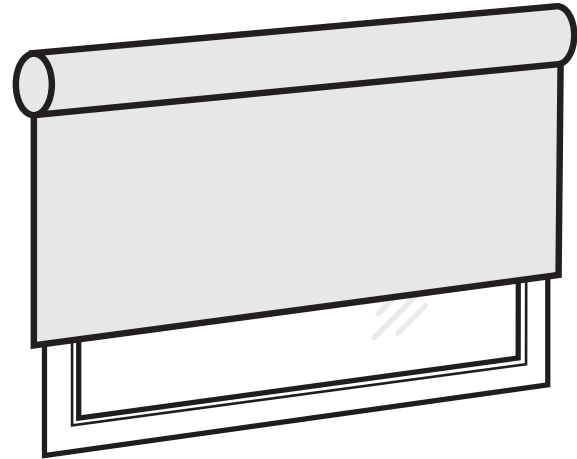


Stanza™ | Shading System

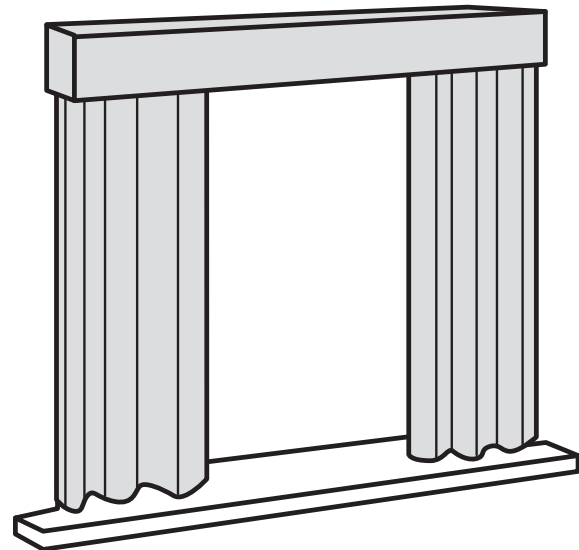
The *Stanza* Shading System utilizes ultra-quiet precision controlled contact closure electronic drive units. *Stanza* drive units are available for roller shades and drapery tracks. The Standalone System operates independent of *Stanza* guest room light controls. The Integrated System offers a complete lighting control solution.

Features

- Operates directly via contact closure
- Integrates with Lutron® *Stanza* lighting control systems (SZ-IO required)
- Ultra-quiet operation: will not exceed 44 dBA measured 1 m (3 ft) from the Drive
- Offers one favorite preset with optional infrared remote control
- Drives can be stopped while moving with the touch of any button of any keypad or IR Remote
- *Stanza* drives are available for Roller 100 shade and D70 and D105 drapery systems
- All drives start, move and stop with precision
- Can be installed in new construction or retrofit application
- Power failure memory for the lifetime of the product
- IR remotes offers programmable stop points. The Drive tracks the position of the shade or drape and is able to adjust it to preset locations at the touch of a button
- Easy-to-read and easy-to-use controls are immediately understood
- Offers two programmable groups with IR remote
- 24 V_{DC} low-voltage power
- 8 year limited warranty



Stanza Shade



Stanza Drape

Job Name:

Model Numbers:

Job Number:

Specifications

Power

- Operating voltage: Low-voltage 24 V_{DC} power supply required
- Control system power supply offers (spike and brownout) over voltage protection (+/- 10% of line voltage) for all devices in the system.
- Power supply provides appropriate Electro Static Discharge (ESD) protection for all devices in the system
- Power must be derived from a Lutron® approved power source

System Capacity

- Maximum of 4 drives per contact closure output

Performance

- Each Drive stores presets positioned at any stop point along the shade's travel, as well as full open and full close shade limits using an IR remote
- Preset points can be located at any point between the open/close limits and are adjustable with a 5 second button push and hold from the optional IR Remote.
- Each Drive is capable of stopping with the accuracy of 0.125 in (3 mm) steps for the entire travel of the shade or drape
- Favorite preset can be recalled from IR transmitter
- Open and close limits are programmable from the Drive or the optional IR Remote
- All system components are Electro Static Discharge (ESD) protected
- For systems with multiple Drives, shades smoothly move in unison and precise alignment within 0.125 in (3 mm) accuracy at all times

Grouping

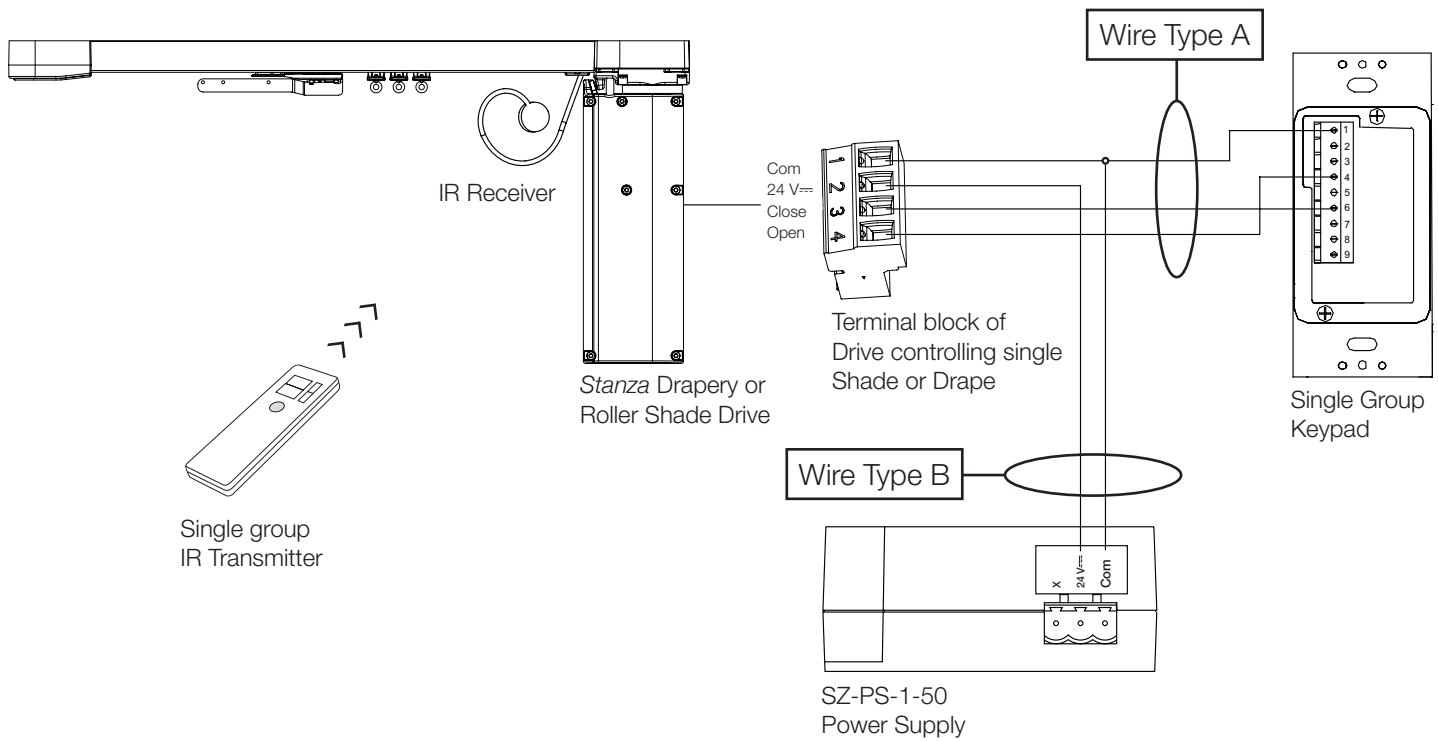
- Up to 2 groups of *Stanza* Drives can be controlled with a Two Group Standalone Keypad
- Up to 2 groups of *Stanza* Drives can be controlled with a SZ-IO Contact Closure Interface
- Up to 4 EDU's can be wired to a *Stanza* Standalone shade keypad contact closure output
- The *Stanza* EDU accepts class 2, dry contact closures inputs
- The contact closure device must be capable of switching 12V_{DC} at 4mA with a minimum contact closure time of 0.25 seconds.
- Dual Group IR Remotes can control up to two groups of Drives
- Drives can be assigned to different keypad groups by rewiring
- Drives can be assigned to different IR transmitter groups by reprogramming.

System Controls and Stanza Integration

- *Stanza* lighting control system keypads communicate with drives via SZ-IO *Stanza* contact closure output
- IR receivers must be wired directly to Drives with IR connector (One IR receiver required per EDU)
- 2 Group IR transmitters provide wireless control for two groups of shades or drapes
- *Stanza* Standalone shade keypads provide control for up to two groups of drapes

Job Name: Job Number:	Model Numbers:
--	-----------------------

Stanza™ Standalone System | Single Drive Wiring



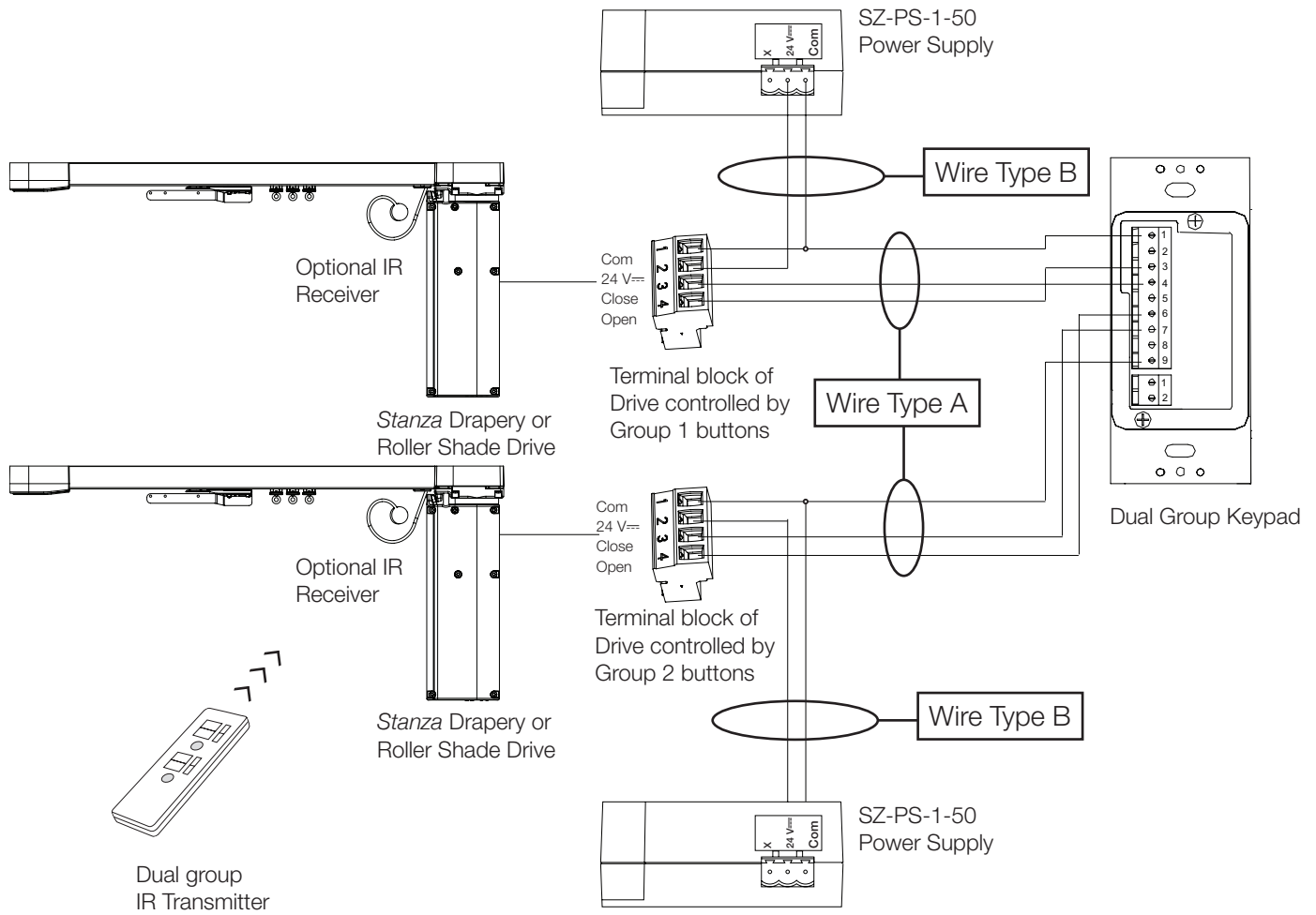
Notes:

- Standalone shade or drapery drives can be controlled with a keypad, IR remote, or both.
- Pressing any button on any keypad or IR remote while the shade or drape is moving will cause the shades or drapes in the group to stop.

Wiring types	Purpose	Wire options
A	Contact Closure input/output	18-22 AWG (1.00-0.50 mm ²) per contact closure - 250 ft (75 m) max
B	Drive power (power supply to Drive)	12 AWG - (4 mm ²)-250 ft (75 m) max 16 AWG - (1.5 mm ²)-100 ft (30 m) max Lutron P/N QSHY-CBL-M-1000 Non-plenum Lutron P/N QSHY-CBLP-M-1000 plenum 18 AWG - (1 mm ²)-50 ft (17 m) max

Job Name:	Model Numbers:
Job Number:	

Stanza™ Standalone System | Dual Drive Wiring



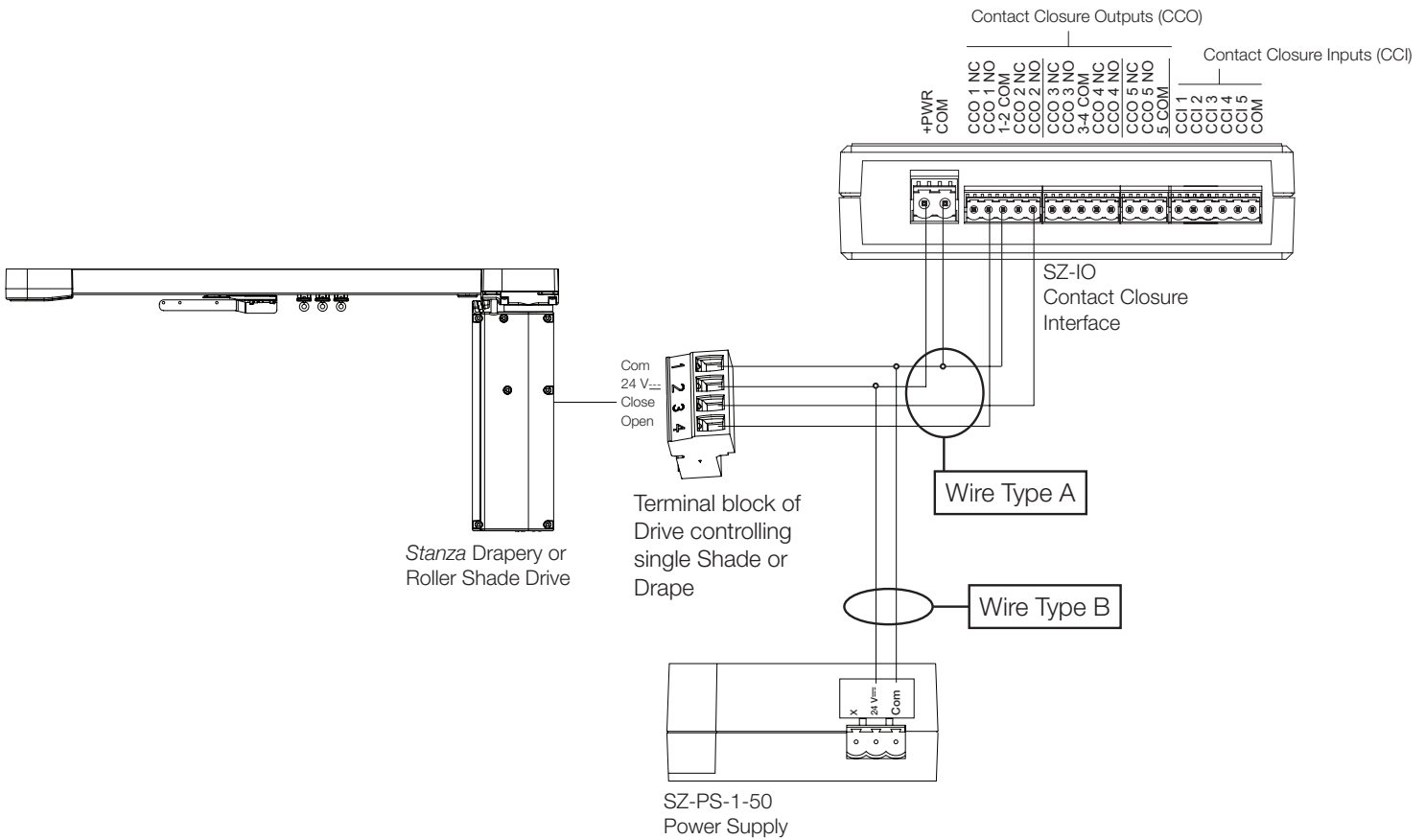
Notes:

- Standalone shade or drapery drives can be controlled with a keypad, IR remote, or both.
- Pressing any button on any keypad or IR remote while the shade or drape is moving will cause the shades or drapes in the group to stop.

Wiring types	Purpose	Wire options
A	Contact Closure input/output	18-22 AWG (1.00-0.50 mm ²) per contact closure - 250 ft (75 m) max
B	Drive power (power supply to Drive)	12 AWG - (4 mm ²)-250 ft (75 m) max 16 AWG - (1.5 mm ²)-100 ft (30 m) max Lutron P/N QSHY-CBL-M-1000 Non-plenum Lutron P/N QSHY-CBLP-M-1000 plenum 18 AWG - (1 mm ²)-50 ft (17 m) max

Job Name:	Model Numbers:
Job Number:	

Stanza™ Integrated System | Single Drive Wiring



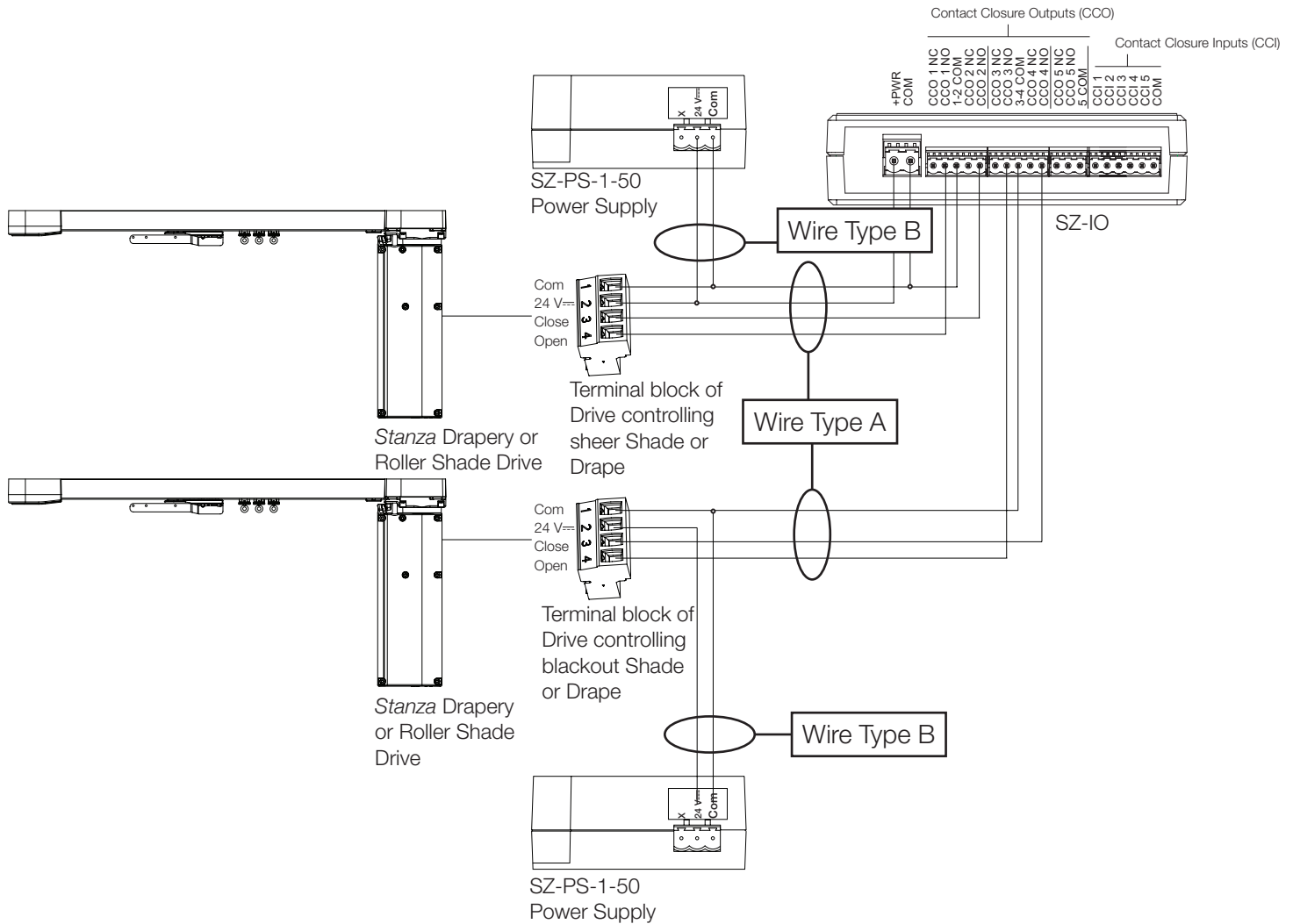
Notes:

- SZ-IO outputs programmed as a 0.25 second momentary contact closure output
- Activating Open or Close while the shade or drapery is moving will cause it to stop
- If a Stop function is required, program the SZ-IO to activate both Open and Close contacts simultaneously (within 50 ms of each other)

Wiring types	Purpose	Wire options
A	Contact Closure input/output	18-22 AWG (1.00-0.50 mm ²) per contact closure - 250 ft (75 m) max
B	Drive power (power supply to Drive)	12 AWG - (4 mm ²)-250 ft (75 m) max 16 AWG - (1.5 mm ²)-100 ft (30 m) max Lutron P/N QSHY-CBL-M-1000 Non-plenum Lutron P/N QSHY-CBLP-M-1000 plenum 18 AWG - (1 mm ²)-50 ft (17 m) max

Job Name:	Model Numbers:
Job Number:	

Stanza™ Integrated System | Dual Drive Wiring



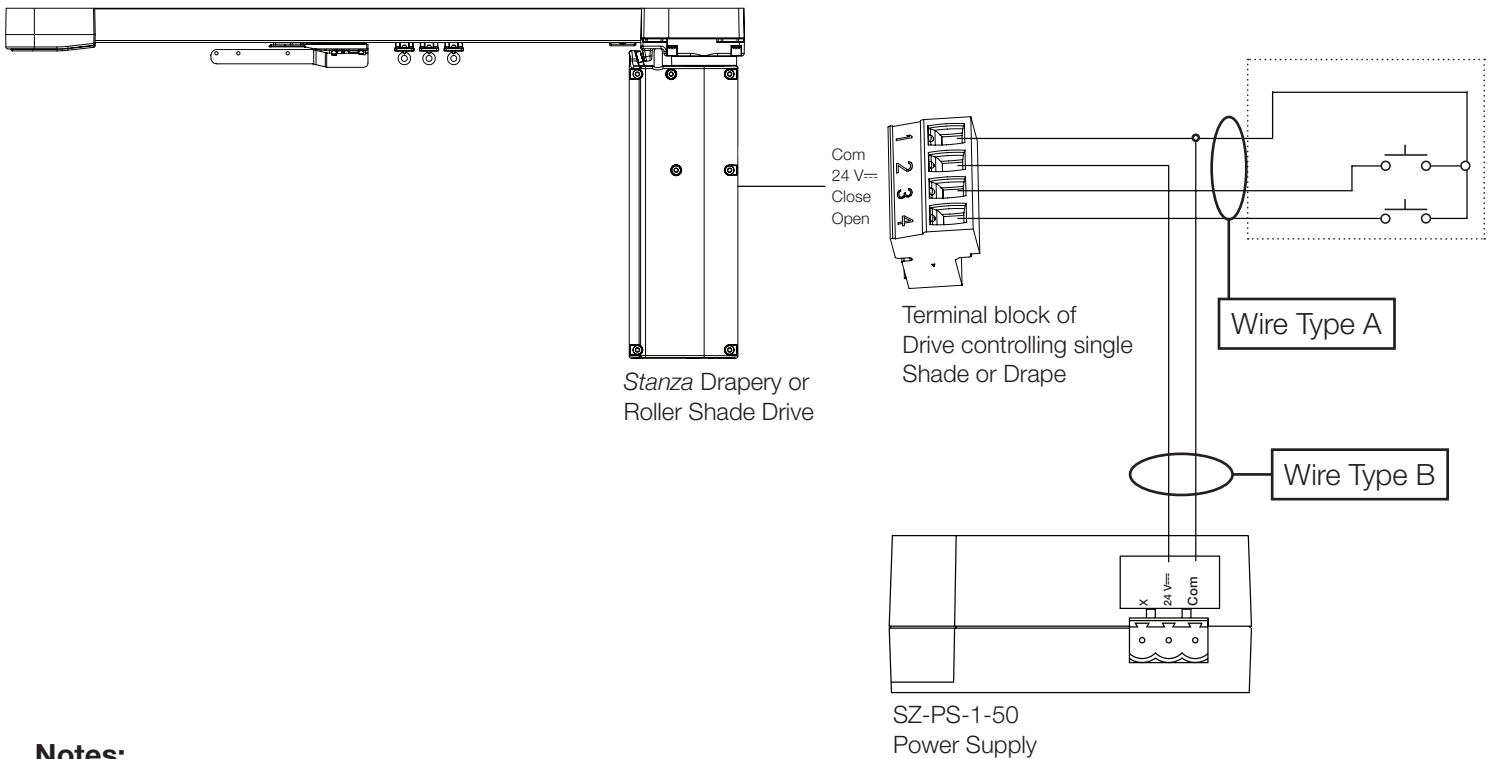
Notes:

- SZ-IO outputs programmed as a 0.25 second momentary contact closure output
- Activating Open or Close while the shade or drape is moving will cause it to stop
- If a Stop function is required, program the SZ-IO to activate both Open and Close contacts simultaneously (within 50 ms of each other)

Wiring types	Purpose	Wire options
A	Contact Closure input/output	18-22 AWG (1.00-0.50 mm ²) per contact closure - 250 ft (75 m) max
B	Drive power (power supply to Drive)	12 AWG - (4 mm ²)-250 ft (75 m) max 16 AWG - (1.5 mm ²)-100 ft (30 m) max Lutron P/N QSHY-CBL-M-1000 Non-plenum Lutron P/N QSHY-CBLP-M-1000 plenum 18 AWG - (1 mm ²)-50 ft (17 m) max

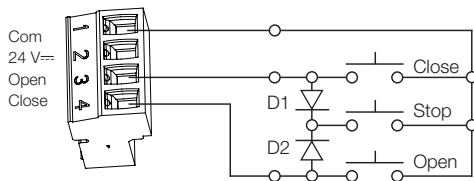
Job Name:	Model Numbers:
Job Number:	

Stanza™ | Contact Closure Input Wiring and Specification



Notes:

- The Stanza Drive accepts Class 2, dry contact closure inputs. The contact closure device must be capable of switching 12 V_{DC} at 4 mA. Momentary dry contact closure inputs require a minimum closure time of 0.25 seconds.
- Activating Open or Close while the shade or drape is moving will cause it to stop
- A dedicated Stop function can be actuated one of the following two ways:
 1. Activate both Open and Close contacts simultaneously (within 50 ms of each other)
 2. Providing a Stop contact closure with the following circuit:



Diodes D1 and D2 must be rated for 12 V_{DC}, 4 mA

Wiring types	Purpose	Wire options
A	Contact Closure input/output	18-22 AWG (1.00-0.50 mm ²) per contact closure - 250 ft (75 m) max
B	Drive power (power supply to Drive)	12 AWG - (4 mm ²)-250 ft (75 m) max 16 AWG - (1.5 mm ²)-100 ft (30 m) max Lutron P/N QSHY-CBL-M-1000 Non-plenum Lutron P/N QSHY-CBLP-M-1000 plenum 18 AWG - (1 mm ²)-50 ft (17 m) max

Job Name:	Model Numbers:
Job Number:	