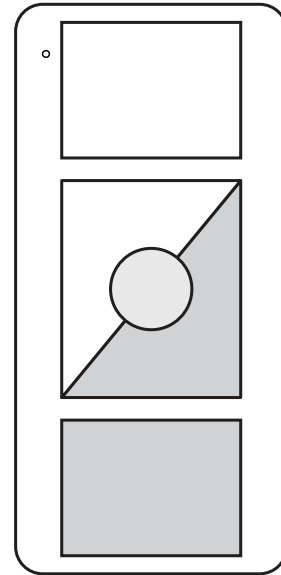


## Pico® Wireless Control and Pedestal

The *Pico* Wireless Control is a flexible and easy to use device that allows the user to control Lutron wireless load control devices. The *Pico* can function as a tabletop control on a pedestal or a lightweight, handheld remote. The battery operated control requires no external power or communication wiring.

### Features

- Provides control for the following Lutron RF systems:
  - Sivoia QS wireless
  - GRAFIK Eye QS wireless
  - Rania wireless
  - Energy Savr Node and Quantum, through the use of a QS sensor module
- Control available in a variety of marking options.
- Easy reconfiguration for use as a handheld control or table top control, with the use of the optional pedestal.
- Tabletop pedestal available in a single and dual configuration in both black and white.
- Battery powered control requires no wiring.
- Battery included with *Pico* Wireless Control.
- Can provide control to as many blinds, curtains or lighting devices within a 9 m (30 ft) range.
- Wallplates available for a clean wall mount installation.



*Pico* Wireless Control

Job Name:

Model Numbers:

Job Number:

## Specifications

### Standards

(As required per geographic region)

- CE
- IDA
- TRA

### Power

- Operating Voltage 3 V<sub>DC</sub>
- (1) CR2032 Battery (included)

### Key Design Features

- Configurable to be used as a handheld remote, or table top control, with the optional pedestal
- Optional pedestal is available in a Single configuration for converting the *Pico* to a tabletop control. The pedestal is also available in a Dual configuration for two *Pico* controls.

### System Communication and Capacity

- *Pico* controls communicate with radio frequency (RF) at 868 MHz and limited 868 MHz FM
- Thousands of system addresses prevent interference between systems
- *Pico* controls can be assigned to control as many blinds, curtains or lighting devices that are within a 9 m (30 ft) range

### Mounting Considerations

- Mounting of any RF devices on or in close proximity to a metal surface will drastically reduce the effective range of radio signal transmission or reception
- All RF devices must be mounted on non-conductive materials to ensure proper performance

### Environment

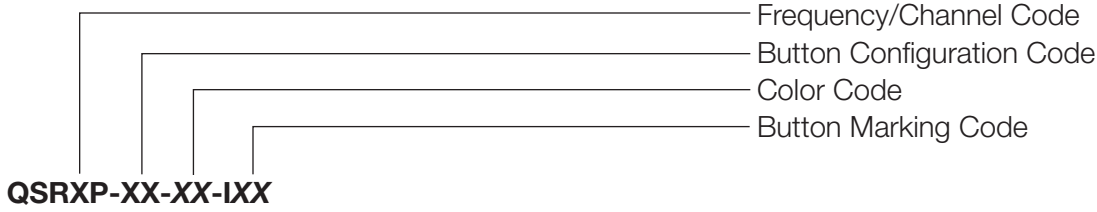
- Ambient operating temperature:  
0 – 60° C (32 – 140° F)
- Maximum 90% non-condensing relative humidity
- Indoor use only

### Warranty

- 1 – year limited warranty

<p>Job Name:</p>  <p>Job Number:</p>	<p>Model Numbers:</p>
--	-----------------------

## Pico® Control Model Number



### Frequency/Channel Codes:

Code Contact customer service for frequency/channel code compatibility with your particular geographic region, and integrating with other Lutron lighting and shading products.

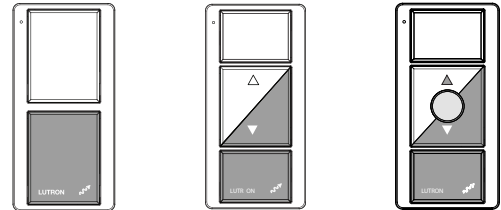
M  
K

### Color Codes: (Designer Gloss)

<u>Color</u>	<u>Code</u>
White/Gray	WG
White	WH
Black	BL

### Button Configuration Codes: (Designer Gloss)

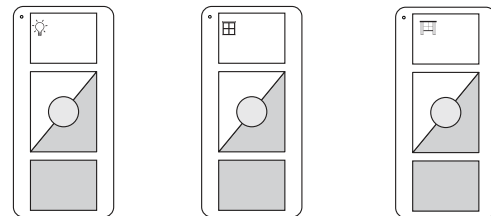
<u>Button Configuration</u>	<u>Code</u>
2 Button	2
2 Button with Raise/Lower	2R
3 Button with Raise/Lower	3R



2 Button (2)      2 Button with Raise/Lower (2R)      3 Button with Raise/Lower (3R)

### Button Marking Codes:

<u>Button Marking Options</u>	<u>Code</u>
Light	01
Roller Blind	02 (-2R and -3R only)
Curtain	08 (-2R and -3R only)

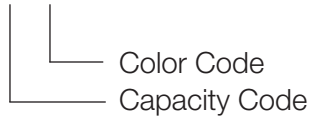


Light (01)      Roller Blind (02)      Curtain (08)

<b>Job Name:</b>	<b>Model Numbers:</b>
<b>Job Number:</b>	

## Pico® Pedestal Model Number

### QSA – PEDX-XX



<u>Capacity</u>	<u>Capacity Code</u>
-----------------	----------------------

Single	1
Dual	2

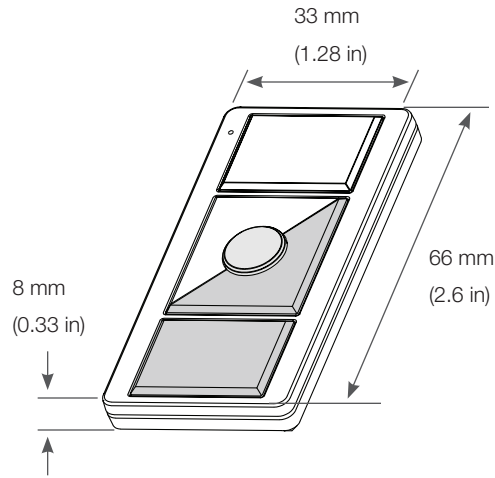
<u>Color</u>	<u>Color Code</u>
--------------	-------------------

White	WH
Black	BL

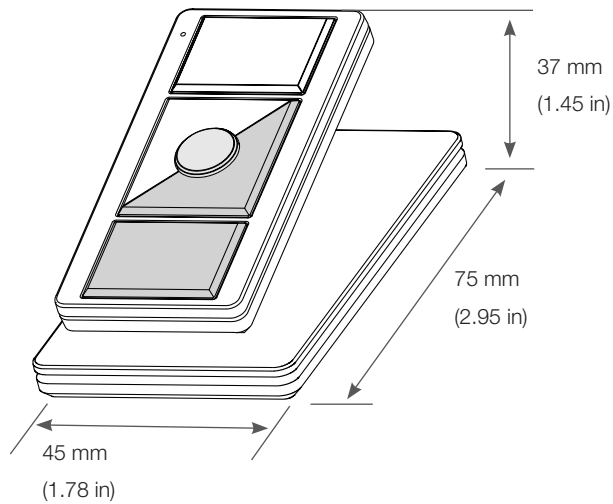
Job Name:	Model Numbers:
Job Number:	

### Dimensions

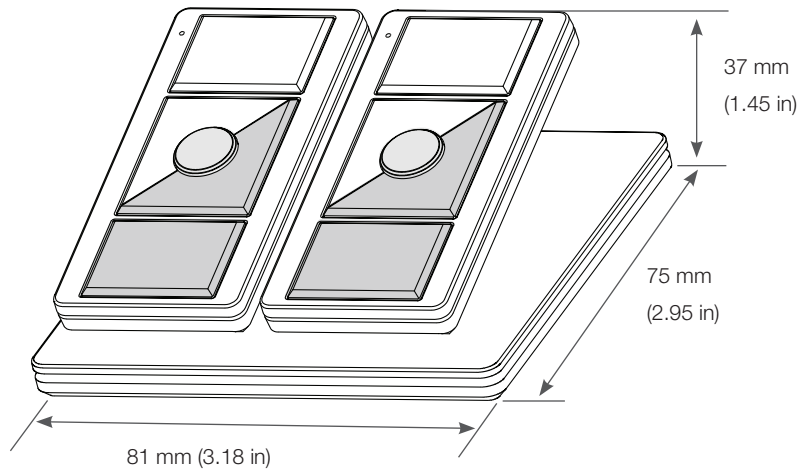
#### Pico Control



#### Single Pedestal



#### Dual Pedestal



Job Name:	Model Numbers:
Job Number:	