

Lutron | Roller 64

The Lutron roller 64 shade utilizes the ultra-quiet, precision controlled Electronic Drive Unit. The roller 64 drive unit is housed inside the roller shade assembly and controls the movement of the shade, keeps track of the shade's position, and adjusts the shade to the user's desired preset positions.



Features and Specifications

- Provides maximum window coverage with the smallest possible light gaps, 0.75 in (19 mm) between the shade fabric and the window frame. Light gaps are symmetrical on both sides of the shade.
- Compatible with Sivoia QED, Sivoia QS, and Sivoia QS Wireless drive units.
- 8 year limited warranty
- Maximum size of shade fabric per drive is 64 ft.² (6 m²)

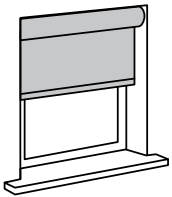
Lutron roller 64 shade

Job Name:	Model Numbers:
Job Number:	

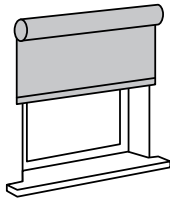
Lutron roller 64 shade options

Mounting options

Depending on window dimensions, brackets can be mounted inside the window frame, outside the window frame, or in a headbox.



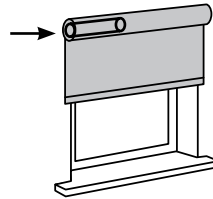
Inside mount



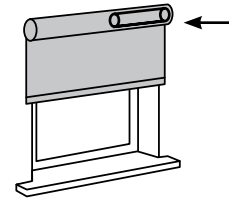
Outside mount

Drive side options

Drive can be mounted on the left or right of the shade:

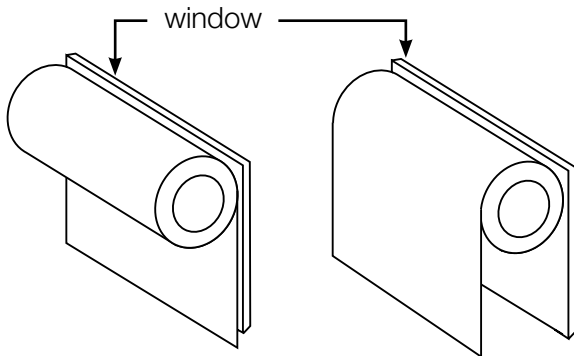


Left drive side



Right drive side

Fabric drop options

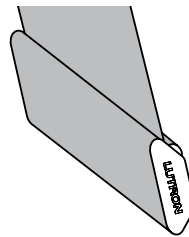


Regular roll

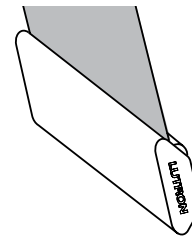
Reverse roll

Bottom bar options

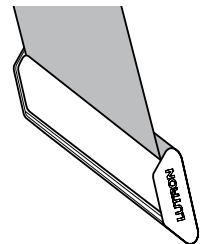
The bottom bar comes in three varieties:



Full-wrap bottom bar



Exposed bottom bar



Half-wrap bottom bar (reverse view shown)

Exposed available in:

- white
- bronze
- anodised
- custom color

Welded bottom bars also available.

Fabric Options

Lutron roller 64 roller shades are available in a wide variety of fabric types including:

- Sheer – Filter sunlight, UV protection, view
- Privacy – Minimal translucence, UV protection
- Blackout – Total darkness, maximum UV protection, no view

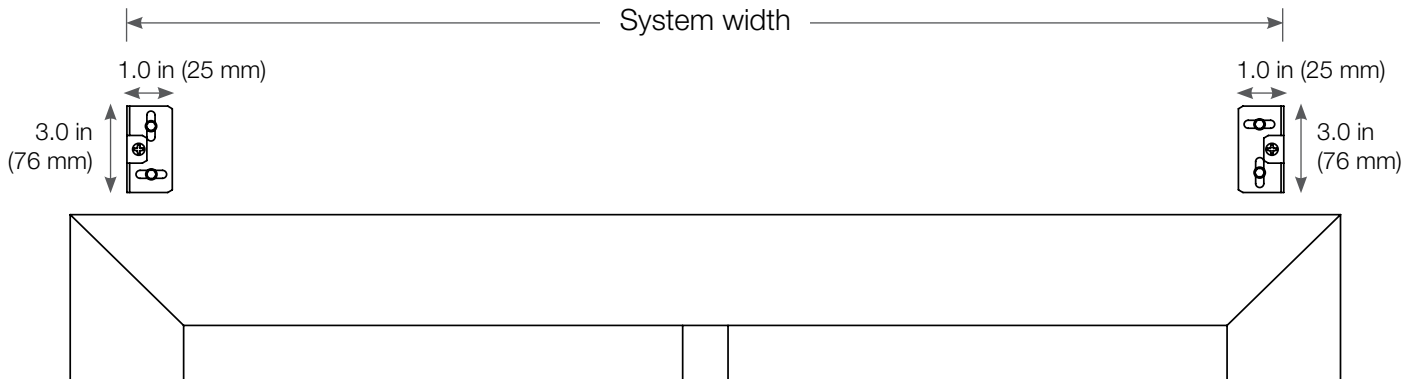
For complete fabric selection, visit www.lutron.com

LUTRON SPECIFICATION SUBMITTAL

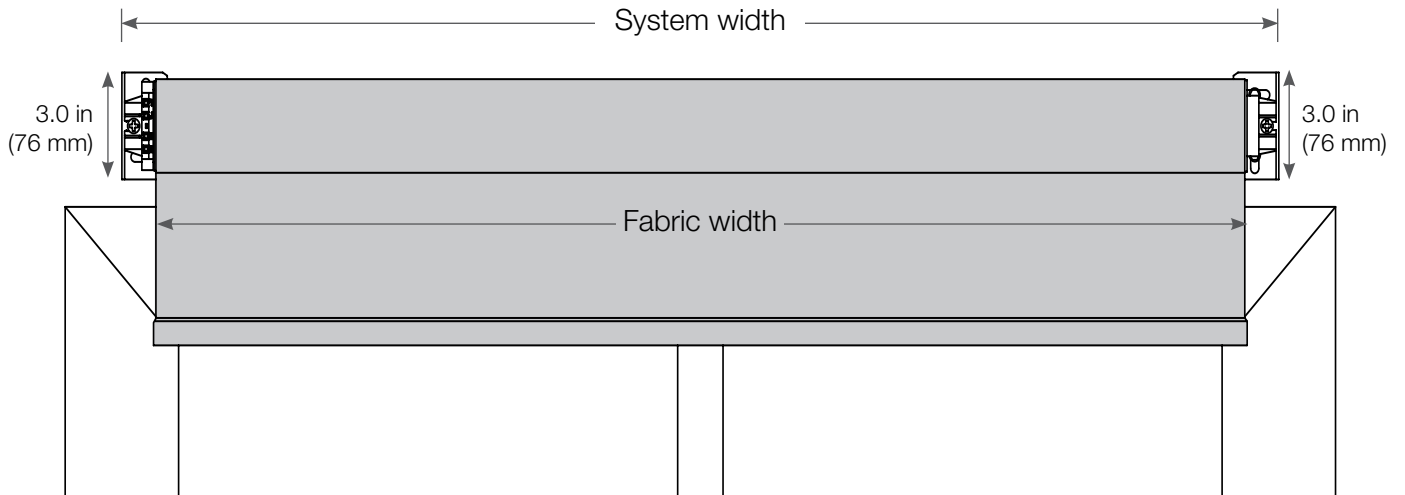
Page

Job Name: Job Number:	Model Numbers:
--	-----------------------

Dimensions



Complete Assembly



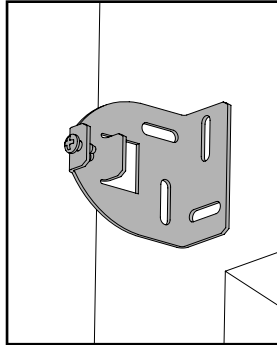
(Wall brackets shown)

Job Name:	Model Numbers:
Job Number:	

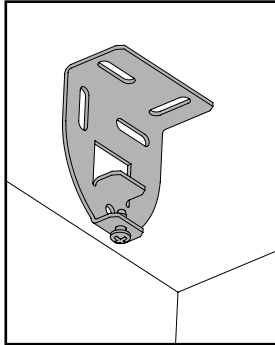
Bracket options

The Lutron roller 64 uses 3 distinct bracket designs to accommodate a variety of mounting conditions:

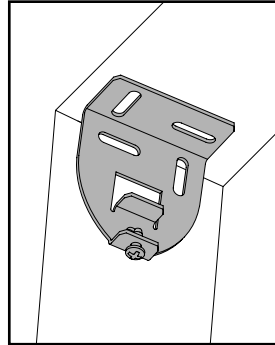
1) Universal Bracket



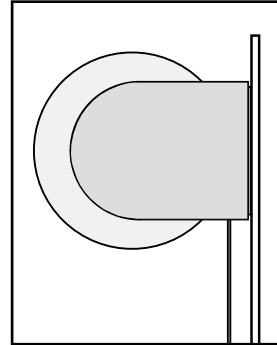
Wall mount



Ceiling mount

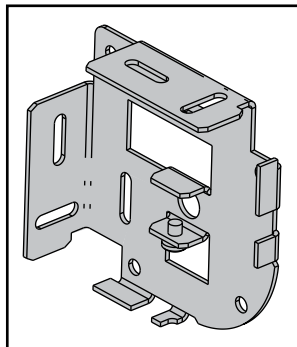


Jamb/recess mount

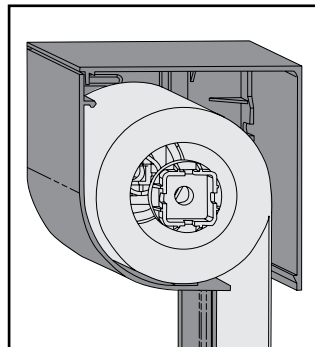


Endcap in white

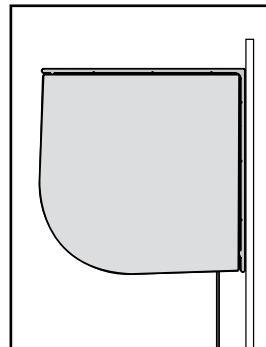
2) Fascia Mount Bracket



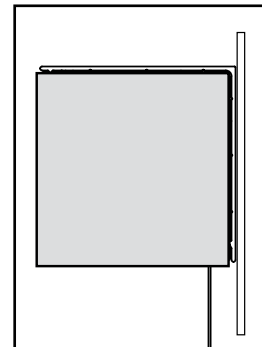
For use with curved or squared Fascia



Curved Fascia

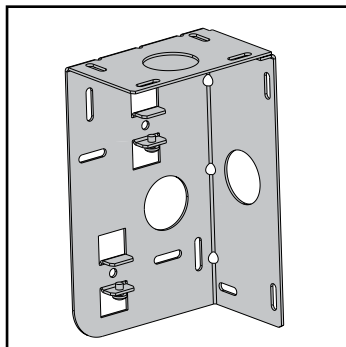


Fascia endcaps available in white, gray, or bronze



Squared Fascia with endcap

3) Dual Mount Bracket



For installation where 2 roller shades, a sheer shade and blackout shade, for example, are installed in the same window.

Job Name:

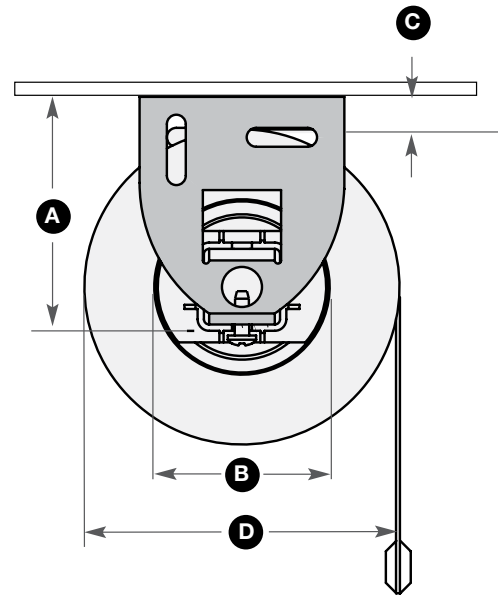
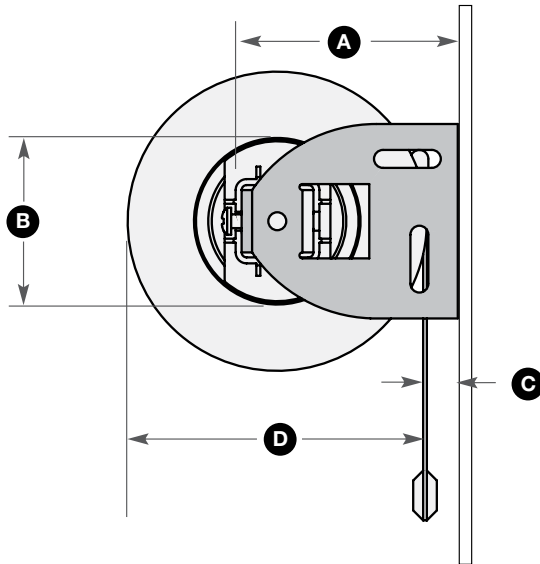
Model Numbers:

Job Number:

Fabric drop wall mount or jamb mount

Fabric drop ceiling mount

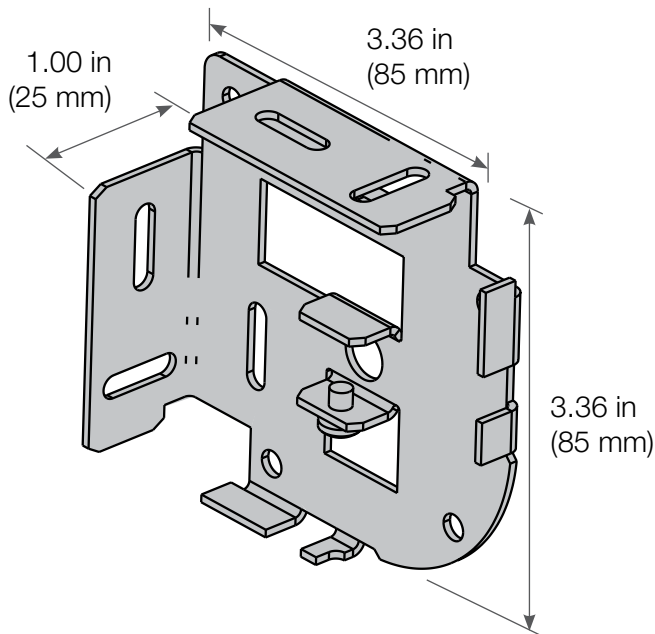
3.3 in (83 mm) maximum system projection



Dimensions

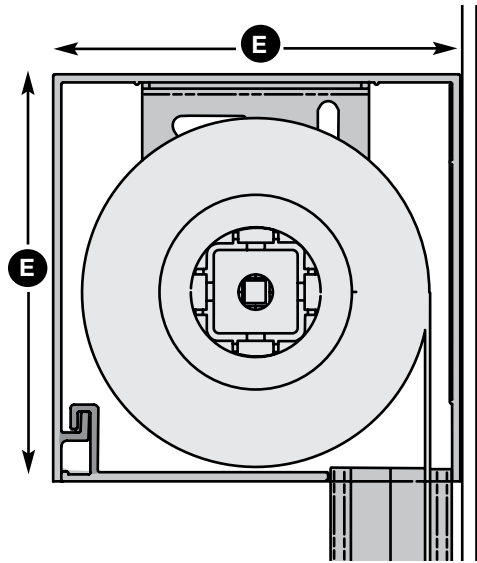
- A** 2.18 in (55 mm)
- B** 1.63 in (41 mm)
- C** 0.3 in (7 mm)
- D** 3.0 in (76 mm)

Fascia bracket



Job Name: Job Number:	Model Numbers:
------------------------------	----------------

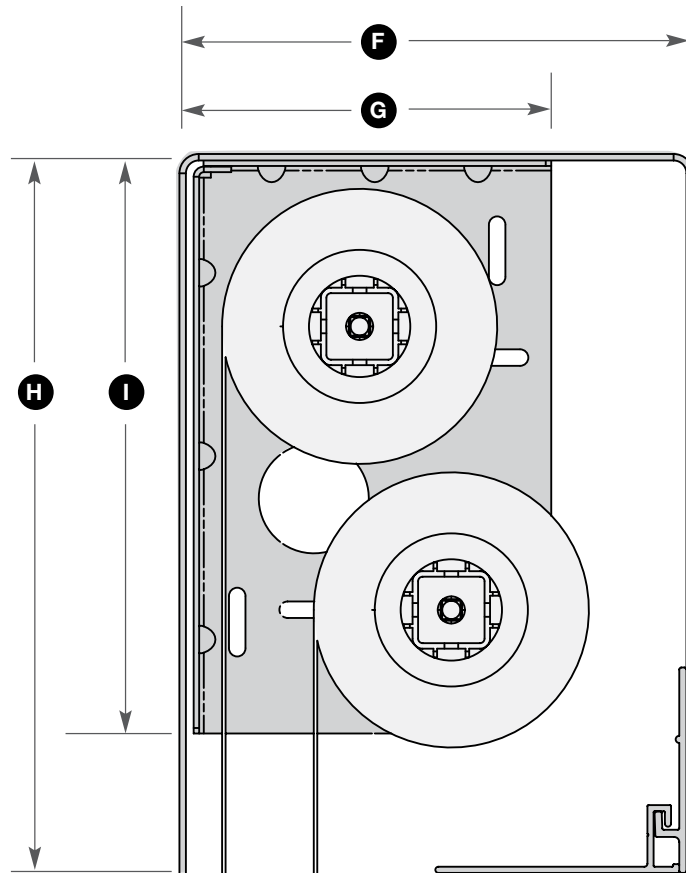
Pocket installation



Dimensions

E 3.5 in (89 mm)

Dual-mount



Dimensions

F 6.0 in (152 mm)

G 3.88 in (98 mm)

H 9.0 in (289 mm)

I 6.75 in (171 mm)

Job Name:	Model Numbers:
Job Number:	