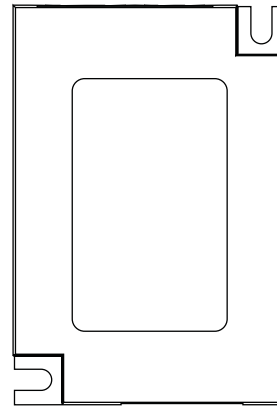
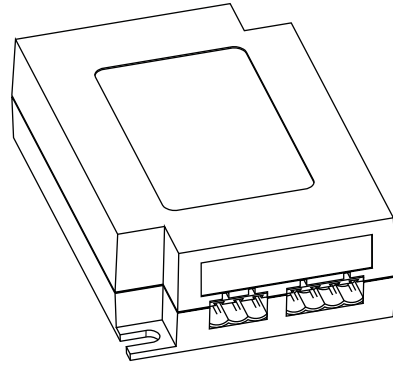


QS | Link power supply

The QS Link power supply (QSPS-P1-1-50/ QSPS-P2-1-50/ QSPS-P3-1-50/ QSPS-P4-1-50) is a 24 V_{DC} plug in power supply that is used with Lutron® QS lighting or shading devices.

The Link power supply plugs into a standard receptacle. The power supply is protected electronically in the event of a miswire, and will automatically reset when wiring is corrected.



QSPS-P1-1-50
Link power supply



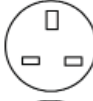

Features

- 24 V_{DC} supply that provides power to shades, drapery drive units, keypads, and accessories
- Simple wiring scheme uses 4-conductor, low voltage link to provide power and communication for QS electronic drive units (EDUs), see Touch® QS keypads and QS integration interfaces
- Mounting tabs and small size allow for discrete installation
- Universal input voltage (100-240 VAC) enables global specification

Job Name:	Model Numbers:
Job Number:	

Specifications

Input Voltage	100-240 V~
Input current (MAX)	1 A
Output Voltage	24 V _{DC}
Operating Frequency	50/60 Hz
ESD Protection	(+/-) 16 kV
Miswire Protection	Electronic Automatic Reset
Input Wiring	Available with 3 types of line cords. All 6 ft (1.8 m) Plugs into standard receptacle

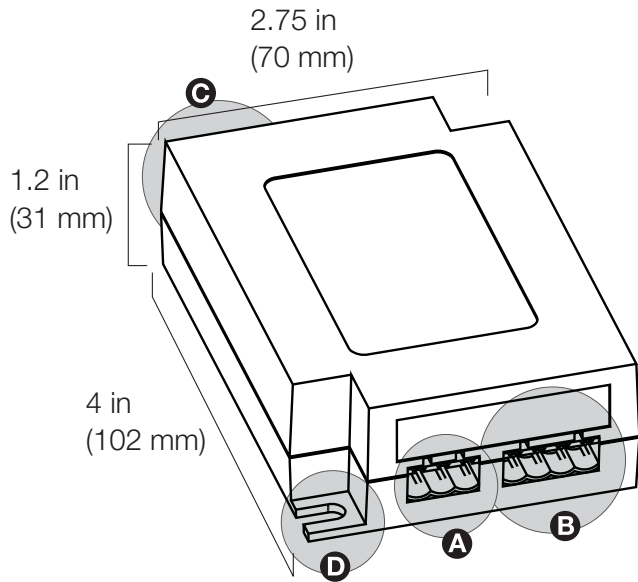
- QSPS-P1-1-50**  NEMA 5-15 Plug
- QSPS-P2-1-50**  CEE 7/7 Plug
- QSPS-P3-1-50**  BS 1363 Plug
- QSPS-P4-1-50**  PSE Plug

QS Link Wiring	<p>4-conductor (power and communication) +24 V, COM, $\overline{\text{MUX}}$, MUX</p> <p>3-conductor (communication pass-through) COM, $\overline{\text{MUX}}$, MUX</p>
Output connections	<p>Detachable terminal blocks 12-26 AWG (4-0.15 mm²) stranded, twisted/shielded</p>
Weight	0.3 lb (0.14 kg)
Regulatory	<p>UL (1310 CLASS2) CE (IEC 61558) CUL (CSA C22.2 #223)</p>
Warranty	<p>Limited Warranty go to: www.lutron.com/shadeswarranty</p>

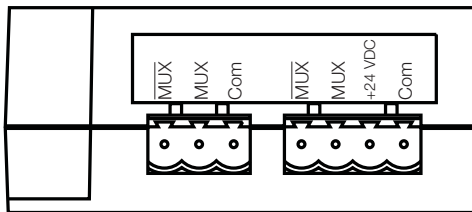
Job Name:	Model Numbers:
Job Number:	

Dimensions

- QSPS-P1-1-50
- QSPS-P2-1-50
- QSPS-P3-1-50
- QSPS-P4-1-50



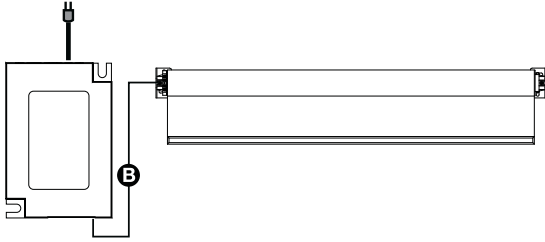
- A** 3-pin connector
Communication to additional Power supplies
- B** 4-pin connector
Power and Communication to QS shade or keypads
- C** Line voltage input
- D** Mounting tabs



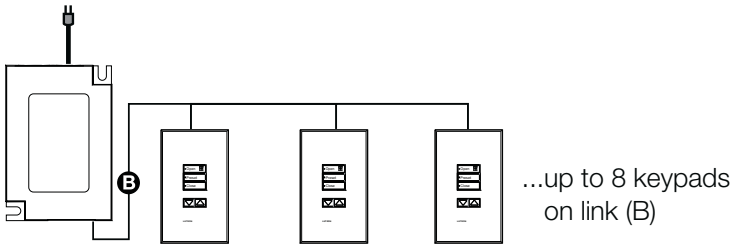
Job Name:	Model Numbers:
Job Number:	

System Wiring Overview: QS Link power supply

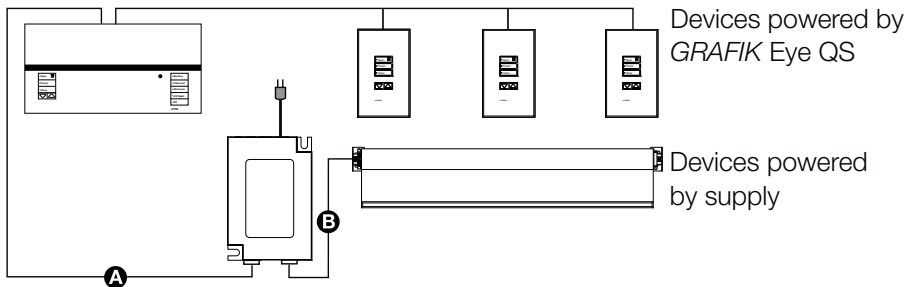
Example: Powering one shade / drapery drive unit
(max of one shade / drapery drive unit per output of a power supply)



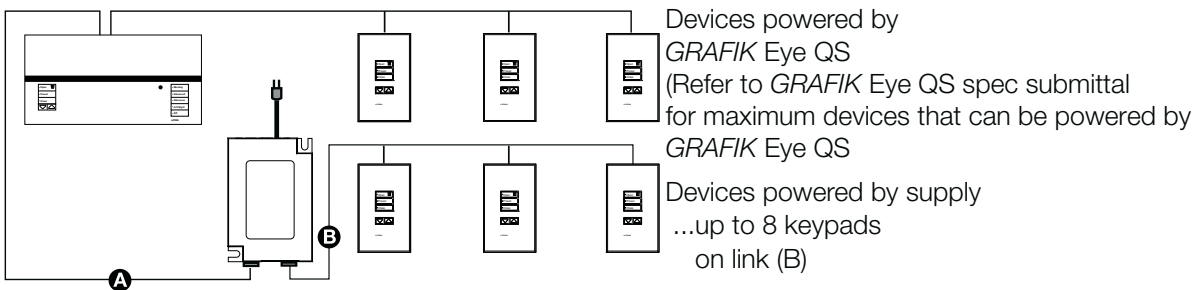
Example: Powering keypads



Example: Connecting to a *GRAFIK Eye*® QS (**Note:** *GRAFIK Eye* QS powered from line voltage)



Example: Connecting to a *GRAFIK Eye* QS (**Note:** *GRAFIK Eye* QS powered from line voltage)



- A** Communication link (3 conductor)
Communications used to connect power supplies to each other or to *GRAFIK Eye* QS
12-26 AWG (4-0.15 mm²) standard, twisted/shielded
- B** Power and communication link (4 conductor)
Provides power and communication to QS shades or keypads
12-26 AWG (4-0.15 mm²) standard, twisted/shielded

Job Name:	Model Numbers:
Job Number:	

QS Link Wiring

Link Rules

The following link rules must be observed for proper operation.

- Use only cable with at least one twisted/shielded pair for communications (MUX and MUX)
- All secondary wiring must be of type CL2, CL2P, CL2R, CL2X or other cable with equivalent or better electrical, mechanical, and flammability ratings in accordance with local and national electric code.
- Total length of power supply link (A) wire plus device link (B) wire in entire system must be less than 2000 ft (609 m)

Maximum devices powered from one QSPS-PX-1-50		Total wire length of link (B) based on wire gauge		
Shades	Controls	12 AWG (4 mm ²) QSH-CBL-L-500 QSH-CBLP-L-500	16 AWG (1.5 mm ²) QSH-CBL-M-500 QSH-CBLP-M-500	18 AWG (1 mm ²) GRX-CBL-346S-500
None	Up to 8 Power Draw Units**	2000 ft (600 m)		1500 ft (450 m)
1 Slvoia QS shade/drapery drive unit	Up to 1 Power Draw Unit*	250 ft (75 m)	100 ft (30 m)	50 ft (15 m)

* 1 seeTouch® QS keypad is equal to 1 power draw unit. See document 369405 for a list of PDUs per product.

** 1 QSE-CI-NWK-E or 1 QSE-IO is equal to 2 power draw units

Job Name:	Model Numbers:
Job Number:	

Technical and Sales Assistance

WORLD HEADQUARTERS

Lutron Electronics Co., Inc.
7200 Suter Road
Coopersburg, PA 18036
United States
Tel: +1.610.282.3800
Fax: +1.610.282.1243

ASIAN HEADQUARTERS

Lutron GL Ltd.
15 Hoe Chiang Road
#07-03 Tower Fifteen
Singapore 089316
Tel: +65.6220.4666
Fax: +65.6220.4333
lutronsea@lutron.com

EUROPEAN HEADQUARTERS

Lutron EA Ltd.
6 Sovereign Close
London, E1W 3JF
United Kingdom
Tel: +44.(0)20.7702.0657
Fax: +44.(0)20.7480.6899

CUSTOMER SERVICE/ORDERING

USA +1.610.282.3800 –
08.00 - 20.00 EST
UK +44.(0)20.7702.0657 –
09.00 - 18.00 GMT

CUSTOMER SERVICE /E-MAIL

shadinginfo@lutron.com

TECHNICAL SUPPORT & SERVICES

USA +1.610.282.3800 –
24 hours/7 days
UK +44.(0)20.7702.0657
09.00 - 18.00 GMT

INTERNET:

www.lutron.com

ADDITIONAL LUTRON SALES OFFICES:

Germany

Tel: +49.309.710.4590
Fax: +49.309.710.4591
FREEPHONE
00800-5887 6635

France

Lutron LTC, S.A.R.L.
90 rue de Villiers
92300 Levallois-Perret, France
Tel: +33.(0)1.41.05.42.80
Fax: +33.(0)1.41.05.01.80
FREEPHONE: 0800.90.12.18
lutronfrance@lutron.com

Spain-Madrid

Tel: +34.91.567.84.79
Fax: +34.91.567.84.78
FREEPHONE 0900.948.944

Spain-Barcelona

Tel: +34.93.496.57.42
Fax: +34.93.496.57.50
FREEPHONE 0900.948.944

Hong Kong

Tel: +852.2104.7733
Fax: +852.2104.7633

Beijing

Tel: +86.10.5877.1817
Fax: +86.10.5877.1816

Shanghai

Tel: +86.21.6288.1473
Fax: +86.21.6288.1751

Singapore

LUTRON GL Ltd. - Singapore
15 Hoe Chiang Road
#7-03 Tower 15
Singapore 089316
Tel: +65.6220.4666
Fax: +65.6220.4333

Japan

Tel: +81.3.5575.8411
Fax: +81.3.5575.8420

www.lutron.com/shadingsolutions

USA and Canada (24 hrs/7days):

call: 800.523.9466

Other countries (8 a.m. – 8 p.m. ET)

call: +1 610.282.3800

fax: +1 610.282.3090

email: shadinginfo@lutron.com

Shades Customer Service

USA and Canada (24 hrs/7days):

call: 800.446.1503

©2012 LUTRON Electronics Co., Inc.

Specification Submittal Sheet
for QS Link power supply

Job Name:	Model Numbers:
Job Number:	