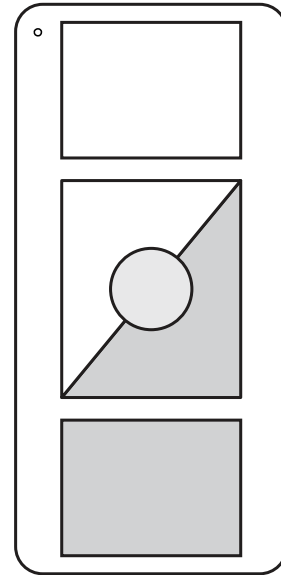


Pico Wireless Control and Pedestal

The Pico Wireless Control is a flexible and easy to use device that allows the user to control Sivoia QS Wireless shades and drapes, and Radio Ra-SR lighting devices. The Pico can function as a tabletop control on a pedestal, a lightweight handheld remote, or it can be wall-mounted within a Lutron Claro® faceplate, to mimic a traditional keypad. The battery operated control requires no external power or communication wiring.

Features

- Provides control for a Sivoia QS Wireless Shading system and RadioRa-SR system, allowing users to:
 - Open and close Shades or Drapes, or turn lights on and off
 - Raise and lower shades, drapes, or lighting levels
 - Recall a favorite shade or drape position, or lighting level.
- Control available in 6 colors and 8 button marking options to suit a variety applications
- Easy reconfiguration for use as a handheld control, wall-mount control, or table top control, with the use of the optional pedestal.
- Simply installed in a 1-gang or 2-gang installation with the included wall mount adapter and mounting template
- Tabletop pedestal available in a single and dual configuration in black and white
- Battery powered control requires no wiring
- Control provided with the battery included
- Can provide control to as many shade, drape or lighting devices within a 30 ft (9m) range.



Pico Wireless Control

Job Name:

Model Numbers:

Job Number:

Specifications

Standards

- FCC Approved. Complies with the limits for a Class B digital device, pursuant to Part 15 of the FCC Rules

Power

- Operating Voltage 3V---
- (1) CR2032 Battery (included)

Key Design Features.

- Configurable to be used a handheld remote, wall-mount control, or table top control, with the optional pedestal
- Fits inside a standard designer wallplate opening or Lutron Claro wallplate
- Can be wall mounted in variety of configurations
 - Alone without a wallplate
 - Alone with in a 1-gang wallplate
 - With another Pico control in a 2-gang wallplate
 - With another designer style device in a 2 gang wallplate
- Mounting template is provided to accommodate all wall mounting configurations
- Optional pedestal is available in a Single configuration for converting the Pico to a tabletop control. The pedestal is also available in a Dual configuration for two Pico controls.

System Communication and Capacity

- Pico controls communicate with Sivoia QS Wireless shades and drapes and Radio RA-SR components with radio frequency (RF) at 434 Mhz FM
- Thousands of system addresses prevent interference between systems
- Pico controls can be assigned to control as many shade, drape or lighting devices that are within a 30 ft (9m) range

Environment

- Ambient operating temperature: 32 – 104° F (0- 40° C)
- Maximum 90% non-condensing relative humidity
- Indoor use only

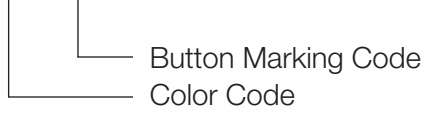
Warranty

- 1 – year limited warranty

<p>Job Name:</p> <p>Job Number:</p>	<p>Model Numbers:</p>
--	------------------------------

Pico Control Model Number

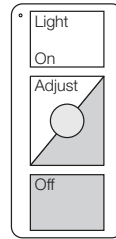
QS4RP-3R-XX-EXX



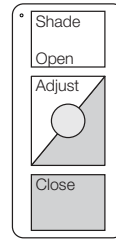
Pico Control Color Codes: (Designer Gloss)

Color	Color Code
White/Gray	WG
White	WH
Ivory	IV
Almond	AL
Light Almond	LA
Black	BL

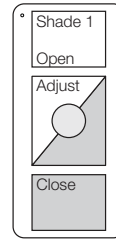
Note: On the White/Gray Pico, the preset button is silver, the top and raise button is white, and the bottom and lower buttons are gray. All other offerings have uniform button colors.



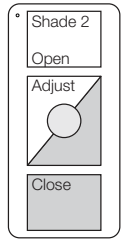
Light



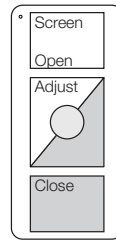
Shade



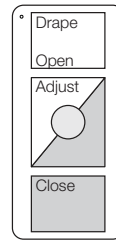
Shade 1



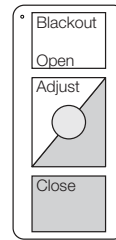
Shade 2



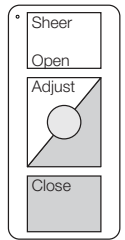
Screen



Drape



Blackout



Sheer

Pico Control Button Marking Codes:

Button Marking Options	Marking Code
Light	01
Shade	02
Shade1	05
Shade2	06
Screen	07
Drape	08
Blackout	09
Sheer	10

Job Name:	Model Numbers:
Job Number:	

Pico Pedestal Model Number

QSA – PEDX-XX



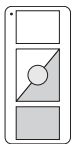
Capacity Capacity Code

Single 1
 Dual 2

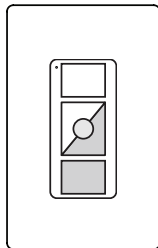
Color Color Code

White WH
 Black BL

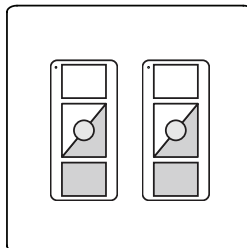
Wall Mounting Configurations:



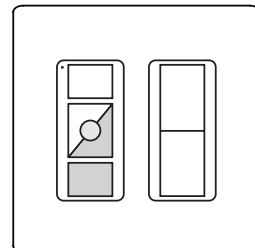
Pico without a wallplate



Pico with a 1-gang wallplate



Two Pico controls with a 2-gang wallplate

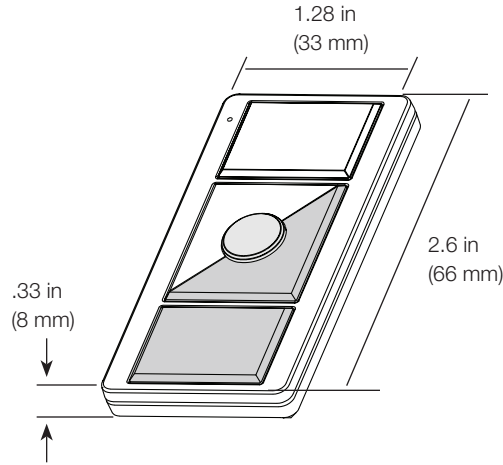


Pico and existing device with a 2-gang wallplate

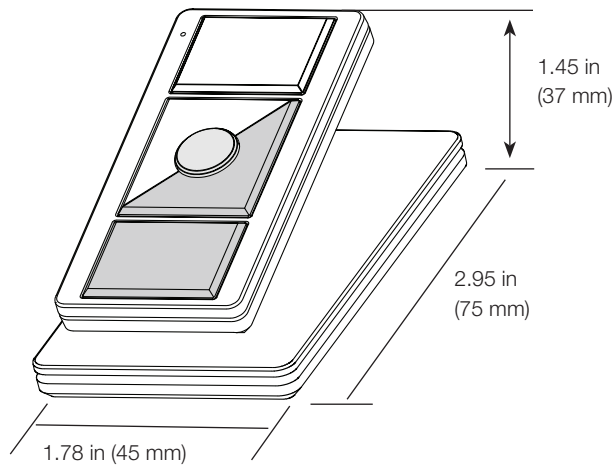
<p>Job Name:</p>	<p>Model Numbers:</p>
<p>Job Number:</p>	

Dimensions

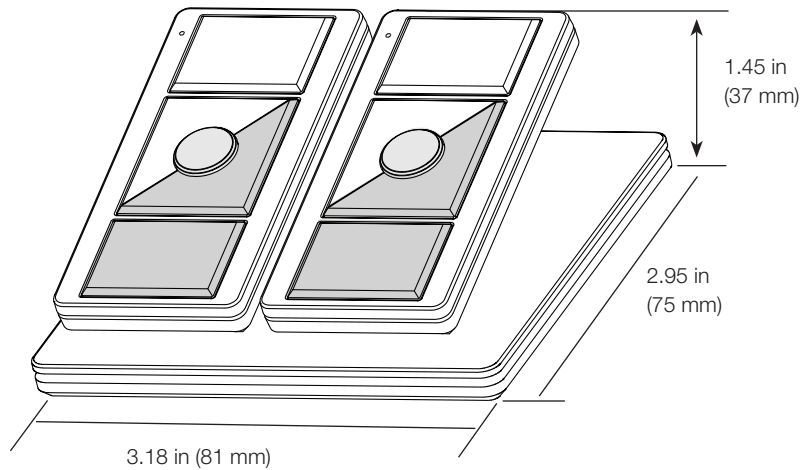
Pico Control



Single Pedestal



Dual Pedestal



Job Name:	Model Numbers:
Job Number:	