

## Video Conference Indirect Wash Fluorescent Fixture

Lutron Video Conference Indirect Wash Fixtures provide a combination of horizontal and asymmetrical vertical illumination for optimal video conference lighting. The unique reflector design of this fluorescent luminaire creates even, glare-free light distribution for participants in a video conference and for presenters in a distance learning environment.

### Features

- Universal input voltage 120/277 V~
- Excellent for spaces where indirect, balanced lighting is desired, but ceiling heights are too low for suspended luminaires
- Lutron Hi-Lume 1% dimming ballast included, enabling adjustment of light levels for optimum image quality
- Models available for installation in standard 2 x 2 ft or 1 x 2 ft T-bar grid ceilings, drywall ceilings and surface mount applications and diagonal mount for T-bar grid ceilings
- Uses 50 W T5 twin-tube compact fluorescent lamps
- Optional Emergency Ballast available



2 x 2 ft Fixture



1 x 2 ft Fixture



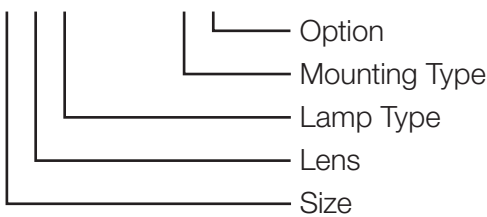
45° 1 x 2 ft Fixture

### Models Available

For a complete list of available model numbers, please see the **Ordering Guide** on page 3.

Configuration:

**FXVTIW \_ \_ \_ 50UHD \_ \_ WH**



<p>Job Name:</p>  <p>Job Number:</p>	<p>Model Numbers:</p>
--	-----------------------

## Specifications

### Regulatory Approvals

- Approved to UL® and CSA standards

### Power / Performance

- Universal input voltage 120/277 V~
- Total Harmonic Distortion (THD) <20%
- Power factor >0.9
- Class A sound rating
- Dimming range: 100% to 5% of total light output

### Environment

- 50 °F to 104 °F (10 °C to 40 °C)
- Relative humidity less than 90% non-condensing
- For indoor use only

### Controls

The following controls are available for use with Lutron dimmable fixtures:

- GRAFIK Eye QS
- Quantum
- Maestro Wireless
- Nova
- Skylark
- Vareo
- GRAFIK Eye
- Energi Savr Node
- Nova T☆
- Diva
- Ariadni
- PowPak

### Lamps

- Requires one or two 50 W twin-tube 3500 °K fluorescent lamps (biax CFL; not included with the fixture) depending on fixture type:
  - GE number F50BX/SPX35/RS
  - Philips number PL-L50W835/RS
- Consult lamp manufacturer for lamp seasoning requirements prior to dimming

### Key Design Features

- Design provides even, three-directional illumination for video conferencing applications
- Fixture minimizes glare for individuals being illuminated
- Designed to lay into standard NEMA Type G grid (suspended T-bar) ceilings
- Gypsum ceiling and surface mount options available
- Metal housing is finished with a post painted white TGIC polyester powder coat
- Fixture is made of 22 gauge cold-rolled steel
- 99.9% high purity diffuse aluminum reflector
- Reflector removes without tools
- Quick access plate permits convenient power connections
- Smooth, continuous flicker free dimming

Job Name:  Job Number:	Model Numbers:
------------------------------	----------------

## Ordering Guide

Select appropriate code in each column to complete model number.

Example: FXVTIW12DB250UHDTBXXWH

Product	Family	Fixture Type	Size	Lens	Lamp	Lamp Type	Region	Control	Mounting Type	Option	Color/ Finish
<b>FX=</b> Fixtures	<b>VT=</b> Video Conference	<b>IW=</b> Indirect Wash	<b>12=</b> 1 x 2 ft	<b>XX=</b> None	<b>1=</b> 1 Lamp (1 x 2 ft Only)	<b>50=</b> 50 W T5 Twin-tube	<b>U=</b> UL–North America	<b>HD=</b> Hi-Lume® 3D 5% Dimming Ballast	<b>TB=</b> T-bar	<b>XX=</b> None	<b>WH=</b> Matte White
			<b>22=</b> 2 x 2 ft	<b>DB=</b> 45° Diagonal (1 x 2 ft T-bar Mount Only)	<b>2=</b> 2 Lamp (2 x 2 ft Only)				<b>GY=</b> Gypsum	<b>E3=</b> Emergency Ballast	
									<b>SM=</b> Surface Mount		

Not for use in Quebec.

<b>Job Name:</b>	<b>Model Numbers:</b>
<b>Job Number:</b>	

# Photometric Data

## 2x2 ft 2 Lamp T5 50 W Twin-Tube Indirect Wash Fixture (FXVTIW22\_250UHD\_-\_WH)

Tested with: 2 Philips T5 50 W Twin-Tube Lamps with 4100 CCT rated at 4300 lm each

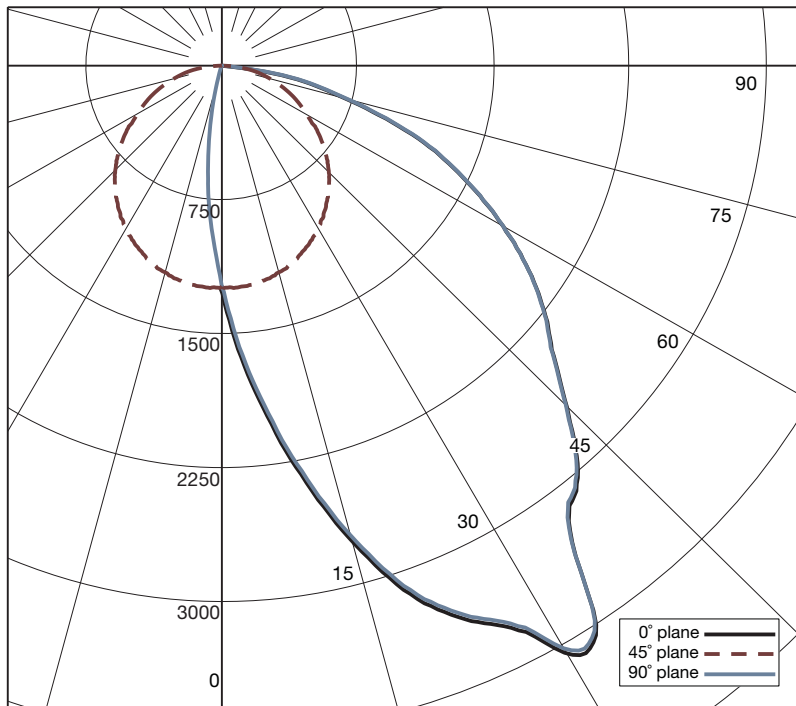
Photometric Summary	
LIGHT OUTPUT (lm)	5047
INPUT POWER (W)	89.45
EFFICACY (lm/W)	56.42
LUMINAIRE EFFICIENCY	58.7

Zonal Lumen Summary		
Zone	lm	% Luminaire
0-30	1154	22.9
0-60	3885	77.0
0-90	5047	100.0
90-180	0	0.0
0-180	5047	100.00

Candela Table					
Angle	0°	45°	90°	135°	180°
0	1237	1237	1237	1237	1237
5	1724	1595	1241	918	788
45	2682	2829	833	13	3
90	0.0	1	4	3	0
135	0.0	0.0	0.0	0.0	0.0
180	0.0	0.0	0.0	0.0	0.0

### Candela Plot

(measured with fixture mounted on the ceiling)



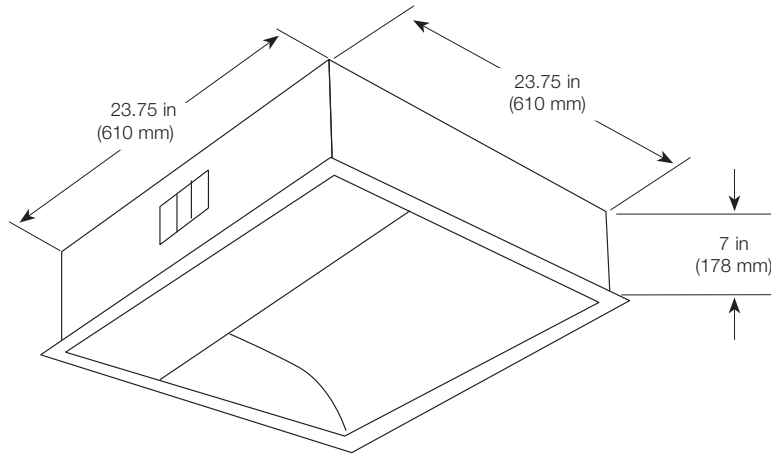
**NOTES:**

- IES data available upon request. Please email fixtures@lutron.com or contact Lutron Technical Support at 1.800.523.9466.
- Photometric test results from LM-79 reports.

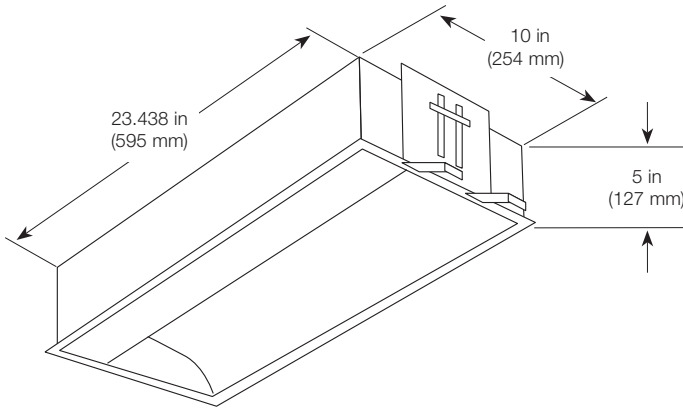
Job Name:	Model Numbers:
Job Number:	

# Dimensions

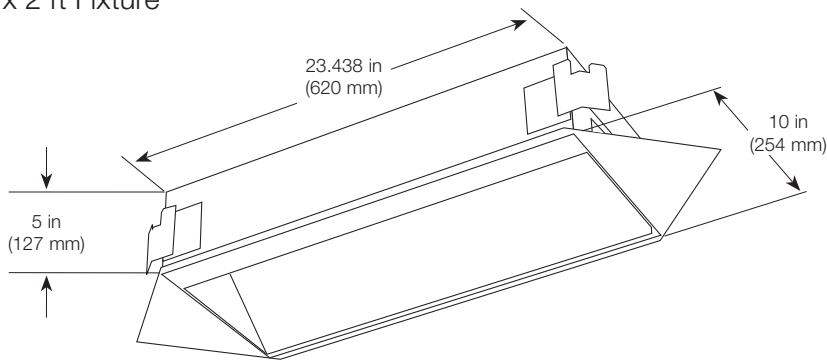
2 x 2 ft Fixture



1 x 2 ft Fixture



45° 1 x 2 ft Fixture



Lutron,  Lutron, Ariadni, Diva, GRAFIK Eye, Hi-lume, Maestro, Maestro Wireless, Nova T<sup>2</sup>, Nova, PowPak, Quantum, Skylark, and Vareo are trademarks of Lutron Electronics Co., Inc., registered in the U.S. and other countries. Energi Savr Node is a trademark of Lutron Electronics Co., Inc.

<b>Job Name:</b>	<b>Model Numbers:</b>
<b>Job Number:</b>	