

EcoSystem® 2 x 2 foot Recessed Direct/Indirect Digital Dimmable Fixture

Features

- Recessed direct/indirect 2 x 2 foot fixture
- Two lamp, 24 W, T5HO or 50 W T5 twin tube compact fluorescent
- Dim smoothly and continuously from 100% to 10% measured light
- Designed to lay into standard NEMA Type G grid (suspended) T-bar ceilings
- Gypsum ceiling and surface mount options available
- Universal input voltage 120/277 V~
- UL and CUL listed, Class P thermally protected ballast
- Models available with *EcoSystem* sensor input whip

Description

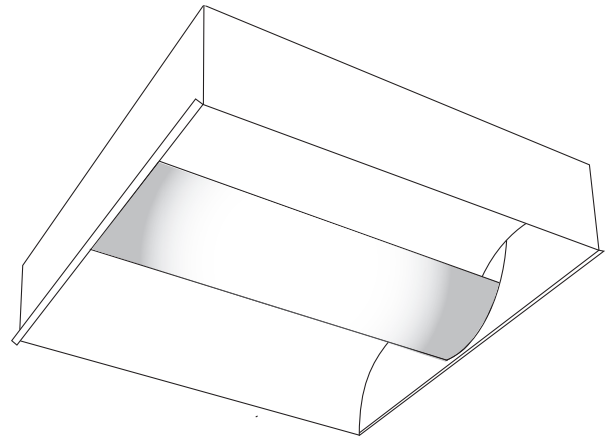
- Direct/Indirect distribution of soft light creates superior brightness control and balanced light
- Excellent for use where indirect lighting is desired, but ceiling heights are too low for suspended fixtures
- Provides visual comfort for those people who look directly at the ceiling in hospitals and health care facilities
- Complement the interior design in lobbies, corridors, or offices

Construction

- 22 gauge die-formed steel housing
- Heavy duty ends securely fastened to the housing
- Side mounted T-bar clips
- High reflectance low glare satin white reflector provides soft, uniform indirect light distribution
- Perforated white metal basket backed with acrylic diffuser to control glare and veiling reflections
- Shielding easily removed providing easy lamp access for relamping
- Quick access plate for convenient power connection
- Designed for NEMA Type G (grid). Consult factory for compatibility with other ceiling systems.

Finish

- All metal parts pretreated with a phosphate bonding process and post painted with an electrostatically applied high temperature baked white enamel for superior quality and durability



Dimming Performance

- Ballast: *EcoSystem* EC5 T524 J UNV 2 or EC5 T550 J UNV 2
- Dimming range – 100% to 10%
- Power factor greater than .95
- Total harmonic distortion less than 20%
- Designed to withstand surge voltages of 6000 volts as specified in ANSI C62.41
- Better than Class A sound rating
- Ballast meets FCC Part 18 regulations for RFI/EMI
- No visible lamp flicker
- Ballasts strike lamps at any light level without first flashing to full light

Controls

The following controls are available for use with Lutron dimmable fixtures:

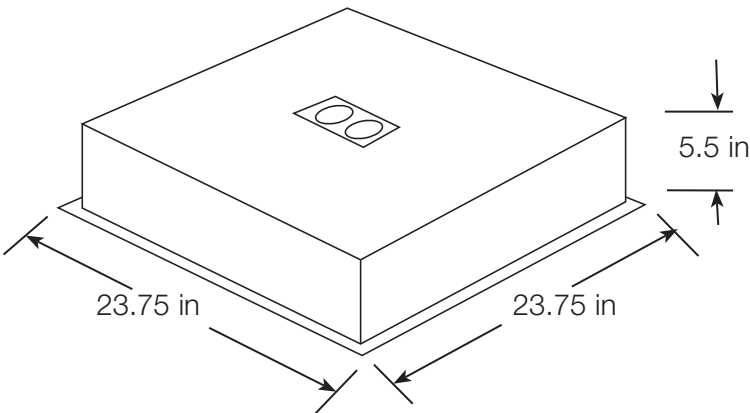
- GRAFIK Eye® QS
- Quantum®
- Maestro® Wireless
- Nova®
- Skylark®
- Vareo®
- GRAFIK Eye®
- Energi Savr Node™
- Nova T*®
- Diva®
- Ariadni®

Lamps

- Requires two 24 W T5 HO or two 50 W T5 twin tube fluorescent lamps
 - GE number F50BX/SPX35/RS
 - Philips number PL-L50W835/RS
- Consult lamp manufacturer for lamp seasoning requirements prior to dimming
- Lamps are not included with the fixture

<p>Job Name:</p> <p>Job Number:</p>	<p>Model Numbers:</p>
--	------------------------------

Product Dimensions



Models	Ballast	Rated Current	Lamp Type	Input Power
FXSRI22422EU FXSRI22422EUEM	EC5 T524 J UNV 2	0.45 A @ 120 V~ 0.20 A @ 277 V~	(2) 24 W T5HO linear fluorescent	53.9 W @ 120 V~ 54.8 W @ 277 V~
FXRI25022EU FXRI25022EUEM	EC5 T550 J UNV 2	0.84 A @ 120 V~ 0.36 A @ 277 V~	(2) 50 W T5 twin tube fluorescent lamps	100.8 W @ 120 V~ 99.7 W @ 277 V~

*EM suffix indicates emergency ballast option

Photometric Data

Coming soon

Job Name:	Model Numbers:
Job Number:	