

EcoSystem® 2 x 4 foot Recessed Parabolic Digital Dimmable Fixture

Features

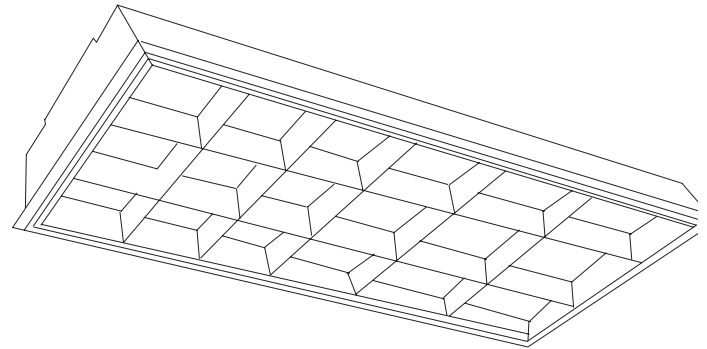
- Recessed parabolic 2 x 4 foot fixture
- Three lamp, 32 W, T8 linear fluorescent
- Dim smoothly and continuously from 100% to 10% or 1% measured light
- Designed to lay into standard NEMA Type G grid (suspended) T-bar ceilings
- Universal input voltage 120/277 V~
- UL and CUL listed, Class P thermally protected ballast
- Models available with *EcoSystem* sensor input whip (10% dimming model)

Description

- Ballast cover removes without tools
- Quick access plate for easy power connections
- 3 in deep, pre-anodized aluminum louvers with semi-specular finish, 18 cells
- Design provides true parabolic contour and maximum photometric efficiency with superior brightness control
- Integral seals prevent light leaks without the need for gasketing. Hinges and spring-loaded latches allow louvers to swing down for relamping
- Louvers are removable and reversible without tools

Construction

- Housing and ends are die-formed 22 gauge steel, with interlocking tabs and screws
- 22 gauge die-formed steel housing
- Heavy-duty ends securely fastened to the housing
- Side mounted T-bar clips
- High reflectance low glare satin white reflector provides soft, uniform indirect light distribution
- Perforated white metal basket backed with acrylic diffuser to control glare and veiling reflections
- Shielding easily removed providing easy lamp access for relamping
- Quick access plate for convenient power connection
- Designed for NEMA Type G (grid). Consult factory for compatibility with other ceiling systems.



Finish

- All metal parts pretreated with a phosphate bonding process and post painted with an electrostatically applied high temperature baked white enamel for superior quality and durability
- Reveal areas and hardware have non-reflective black finish to create a floating louver appearance

Dimming Performance

- Ballast: Hi-Lume® 3D H3D T832 G UNV 3 17
EcoSystem EC5 T832 G UNV 3L
- Dimming range – 100% to 10% or 1%
- Power factor greater than .95
- Total harmonic distortion less than 20%
- Designed to withstand surge voltages of 4000 volts as specified in ANSI C62.41
- Better than Class A sound rating
- Ballast meets FCC Part 18 regulations for RFI/EMI
- No visible lamp flicker
- Ballasts strike lamps at any light level without first flashing to full light

Controls

The following controls are available for use with Lutron dimmable fixtures:

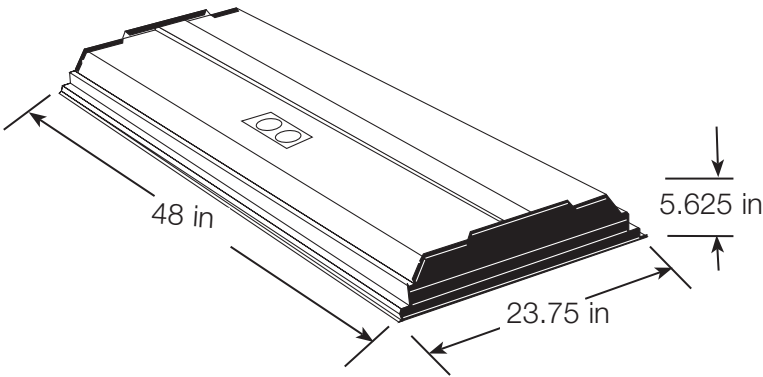
- GRAFIK Eye® QS
- Quantum®
- Maestro® Wireless
- Nova®
- Skylark®
- Vareo®
- GRAFIK Eye®
- Energi Savr Node™
- Nova T*®
- Diva®
- Ariadni®

Lamps

- Requires three 32 W T8 linear (F32T8/3500K) fluorescent lamps
- Consult lamp manufacturer for lamp seasoning requirements prior to dimming
- Lamps are not included with the fixture

Job Name:	Model Numbers:
Job Number:	

Product Dimensions



Models	Ballast	Rated Current	Lamp Type	Input Power
FXSPG33224EU18 FXSPG33224EU18W FXSPG33224EU18EM	EC5 T832 G UNV 3 L	0.72 A @ 120 V~ 0.31 A @ 277 V~	(3) 32W T8 linear fluorescent	85.9 W @ 120 V~ 82.2 W @ 277 V~
FXPG33224HD17U FXPG33224HD17UEM	H3D T832 G UNV 3 17	0.95 A @ 120 V~ 0.41 A @ 277 V~	(3) 32W T8 linear fluorescent	106.8 W @ 120 V~ 105.7 W @ 277 V~

*W suffix indicates prewired sensor whip
EM suffix indicates emergency ballast option

Photometric Data

Coming soon

Job Name:	Model Numbers:
Job Number:	