

LUTRON®

For Your Information ...

Using an Astronomical Timeclock with the HomeWorks™ System

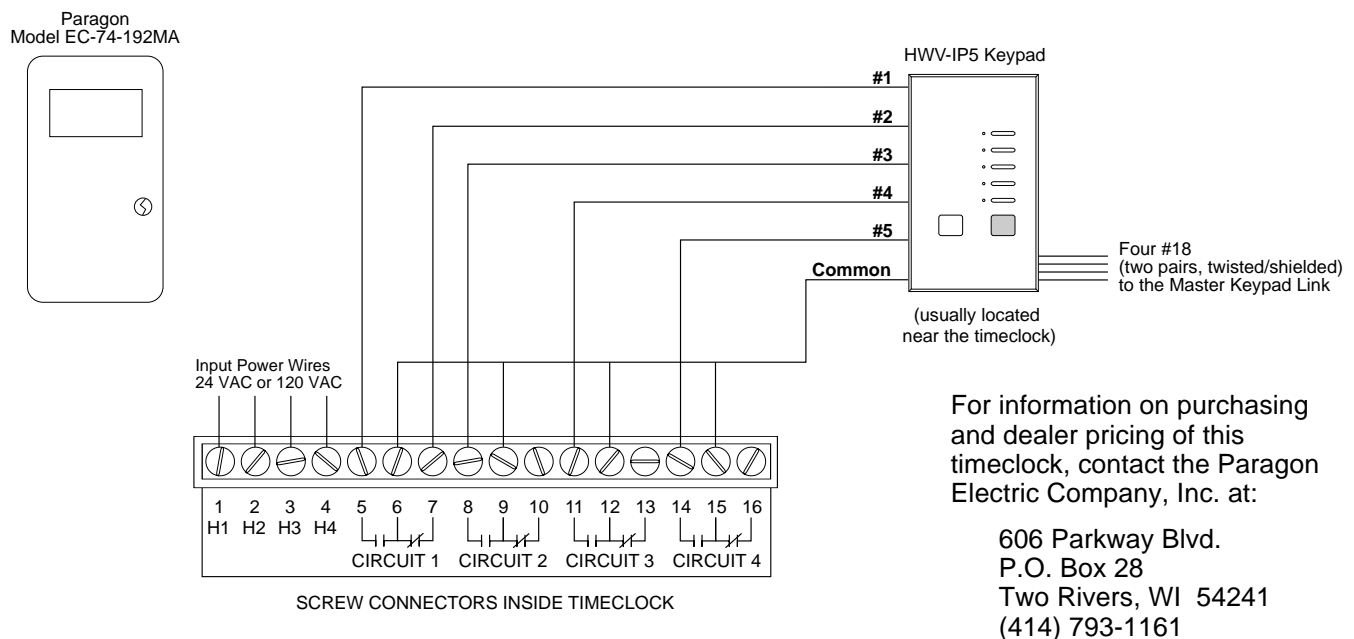


Overview

The HomeWorks™ system has an integral time of day timeclock which can be used to automatically control lights in a home. There are times when astronomical timeclock functions are desired so that the event time tracks with the changing of sunrise and sunset times. This can be accomplished by using an external timeclock as shown below.

Wiring

The following wiring diagram uses a timeclock by the Paragon Electric Company.



Programming Guidelines

Using the HomeWorks Windows Programming Utility (HW-WPU) the buttons of the HWV-IP5 are programmed with the following functions:

MAINTAINED FUNCTION – Lights turn on when the closure is made and turn off when the closure is opened.
or

ALWAYS ON/OFF FUNCTION – Lights are only turned on or off when the closure is made and are not affected when the closure is opened.

Worldwide Technical and Sales Assistance

If you need assistance call the toll-free
Lutron Technical Assistance Hotline:

(800) 523-9466 (U.S.A., Canada, and the Caribbean)
Other countries call (610) 282-3800

Lutron Electronics Co., Inc.
7200 Suter Road
Coopersburg, PA 18036-1299 U.S.A.
Phone: (610) 282-3800
Fax: (610) 282-3090

Lutron is a registered trademark and HomeWorks is a trademark of Lutron Electronics Co., Inc. © 1997 Lutron Electronics, Co., Inc.

Need additional assistance? Call the Lutron Technical Assistance Hotline 1-800-523-9466

Lutron Electronics Co., Inc.
7200 Suter Road
Coopersburg, PA 18036-1299 U.S.A.
Made and printed in U.S.A. 4/97 P/N 360-711 Rev. A