

LUTRON®

For Your Information ...

Using an External Power Supply with the HomeWorks™ System

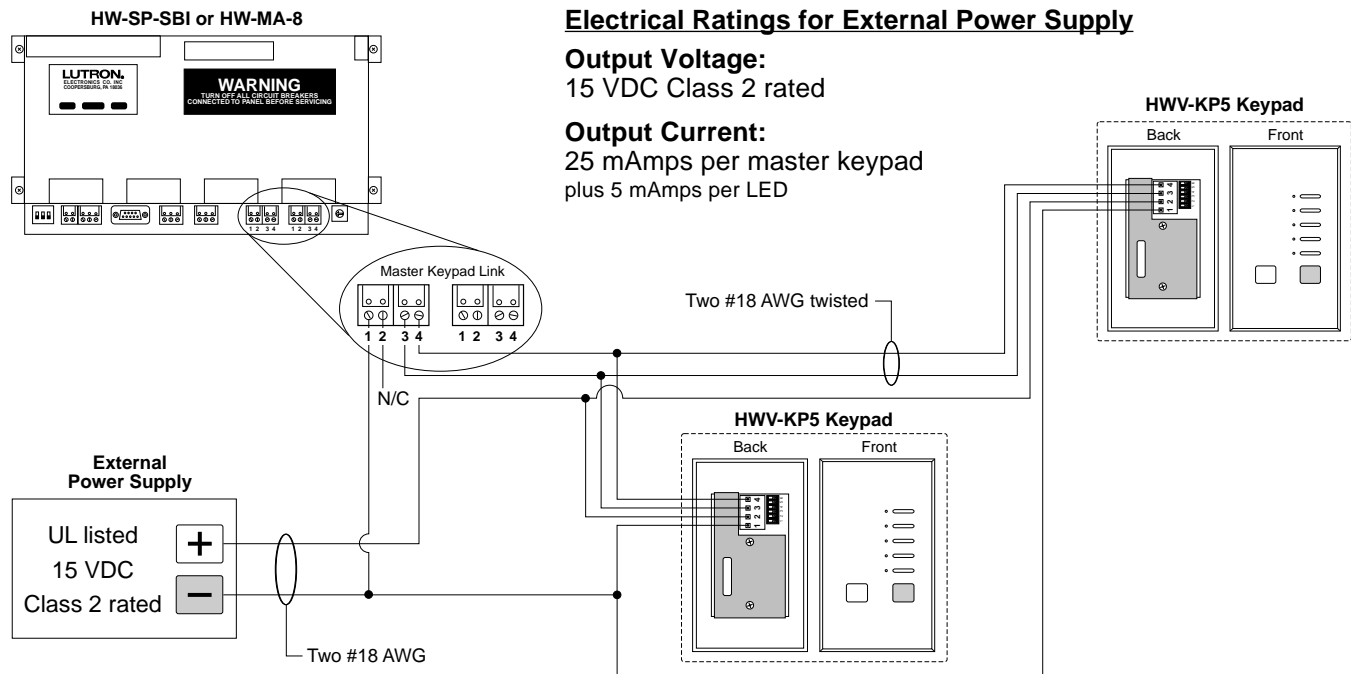


Overview

The power supply inside the HomeWorks processor can illuminate up to 80 master keypad LEDs. The rest of the HomeWorks software and hardware is capable of up to 32 different master keypads with 16 different master keypad addresses. To illuminate more than 80 master keypad LEDs an external 15 VDC Class 2 rated power supply is required.

Wiring

The diagram below shows how to wire an external power supply to drive the master keypad link. Examples of a calculation and compatible models are listed below.



Electrical Ratings for External Power Supply

Output Voltage:

15 VDC Class 2 rated

Output Current:

25 mAmps per master keypad plus 5 mAmps per LED

Example Rating Calculation:

To drive 16 HWV-KP15 master keypads, the power supply must be rated for (16 units) (25 mAmps/unit) + (16 units) (15 LEDs/unit) (5 mAmps/LED) = 1600 mAmps.

Sample Manufacturers and Models:

SOLA P/N SLS-15-045 (15 VDC 4.5 Amps)
CONDOR P/N HC15-3-A+ (15 VDC 3.0 Amps)
Both units can be ordered from Allied Electronics (1-800-433-5700)

Worldwide Technical and Sales Assistance

If you need assistance call the toll-free
Lutron Technical Assistance Hotline:

(800) 523-9466 (U.S.A., Canada, and the Caribbean)
Other countries call (610) 282-3800

Lutron Electronics Co., Inc.
7200 Suter Road
Coopersburg, PA 18036-1299 U.S.A.
Phone: (610) 282-3800
Fax: (610) 282-3090

Lutron is a registered trademark and HomeWorks is a trademark of Lutron Electronics Co., Inc. © 1997 Lutron Electronics, Co., Inc.

Need additional assistance? Call the Lutron Technical Assistance Hotline 1-800-523-9466

Lutron Electronics Co., Inc.
7200 Suter Road
Coopersburg, PA 18036-1299 U.S.A.
Made and printed in U.S.A. 4/97 P/N 360-713 Rev. A