

# LUTRON®

## *For Your Information ...*



### Using a Photocell with the HomeWorks® System

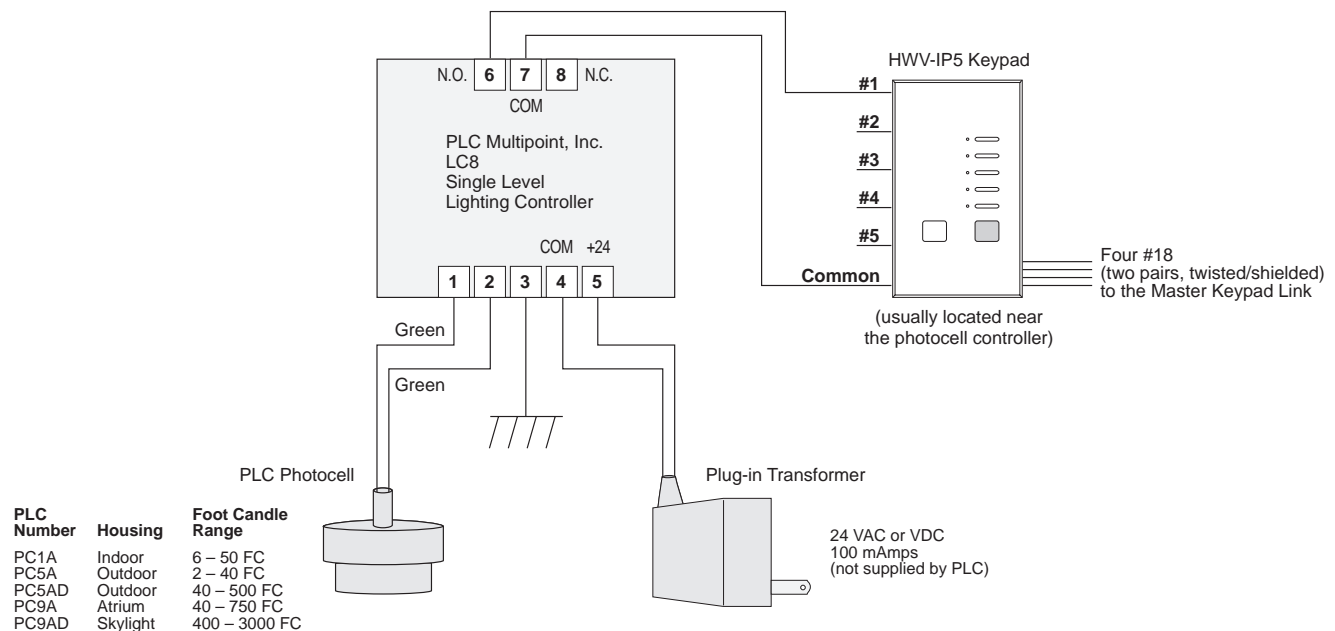
#### Overview

It is possible to provide photocell functions in the HomeWorks® system by using an external photocell and a HWV-IP5 input closure control. Typical applications include turning on exterior lights at dusk and turning them off at dawn.

#### Wiring

The diagram below shows wiring with a photocell manufactured by PLC Multipoint, Inc. For information on dealer pricing and purchasing of this photocell, contact PLC Multipoint at:

3101 111th Street, SW, Suite F  
Everett, WA 98204  
(425) 353-7552



#### Programming Guidelines

In the HomeWorks Windows Programming Utility (HW-WPU), button one of the HWV-IP5 is programmed with the MAINTAINED function. The input may also be programmed as an ALWAYS OFF function. In that scenario, the lights would have to be turned on by a button on a keypad but would automatically turn off at dawn.

#### Worldwide Technical and Sales Assistance

If you need assistance call the toll-free **Lutron Technical Assistance Hotline**. Please provide exact model number when calling.

(800) 523-9466 (U.S.A., Canada, and the Caribbean)  
Other countries call (610) 282-3800

Lutron Electronics Co., Inc.  
7200 Suter Road  
Coopersburg, PA 18036-1299 U.S.A.  
Phone: (610) 282-3800  
Fax: (610) 282-3090

Lutron and HomeWorks are registered trademarks. © 1998 Lutron Electronics Co., Inc.

**Need additional assistance? Call the Lutron Technical Assistance Hotline 1-800-523-9466**  
**Please provide exact model number when calling.**

Lutron Electronics Co., Inc.  
7200 Suter Road  
Coopersburg, PA 18036-1299 U.S.A.  
Made and printed in U.S.A. 2/98 P/N 360-714 Rev. B