

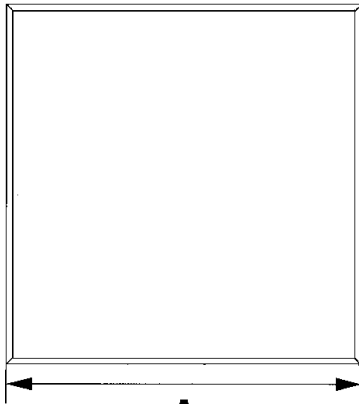
# GRAFIK Eye® Accessory Control

## LUTRON SPECIFICATION SHEET

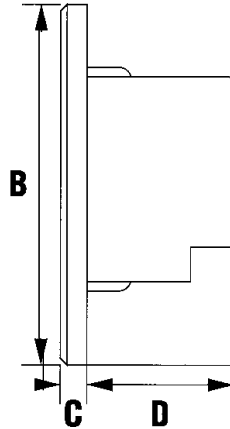
**NGRX-  
ELVI  
-AU**

# Electronic Low Voltage Interface

Model No.  
NGRX-ELVI-AU-WH



Front View



Side View

Dimensions

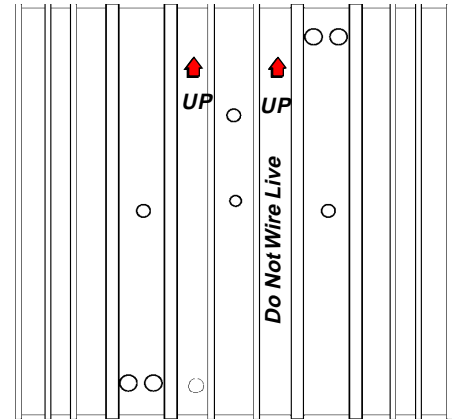
mm

**A** 114

**B** 116

**C** 17

**D** 48



With Faceplate Removed

### ► Specifications

POWER	Operating Voltage: 220 -240VAC 50/60Hz.
TERMINALS	Capacity: (2) 2.5 mm <sup>2</sup> .
MOUNTING	(2) SB-1G backboxes (available from Lutron).
ENVIRONMENTAL	0° - 40°C.
LOAD TYPES/ CAPACITIES	Electronic low voltage; 1200W @240V

### ► Function

Interfaces between GRAFIK Eye 3000 Series Control Units and electronic transformer-supplied low voltage lighting. One interface required per zone - up to 1200W.



Lutron EA Ltd  
6 Sovereign Close  
Wapping, London E1 9HW  
Tel: (0171) 702-0657 Fax: (0171) 480-6899  
1/96 P/N 362-635-A4

Lutron Electronics Co., Inc.  
7200 Suter Road  
Coopersburg, PA 18036, USA  
Tel: (610) 282-3800 Fax: (610) 282-1243

## ► Wiring/Mounting

Turn off power to the control unit and the feed to the ELV Interface. Mount backbox. Strip 12 mm insulation from the backbox wires: (2) 2.5 mm<sup>2</sup> 75C° copper (CU). Connect as shown in Figure 1. Mount as shown in Figure 2.

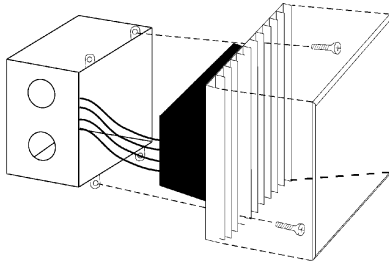


Figure 2. Mounting Diagram

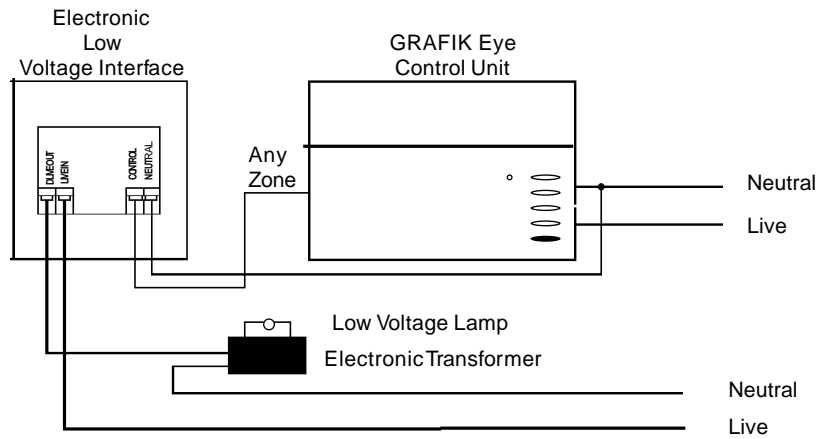
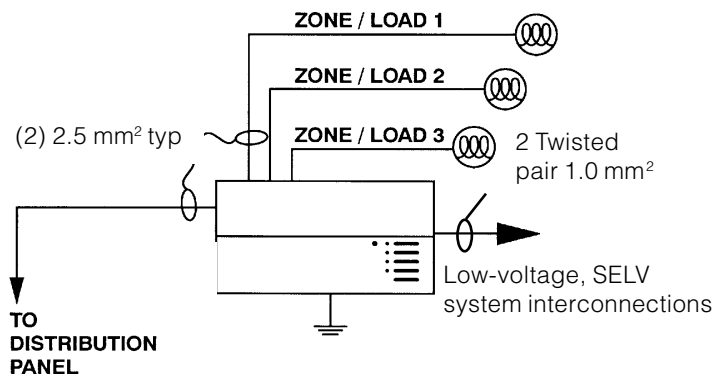


Figure 1. Wiring Diagram

## ► GRAFIK Eye 3000 Series Wiring Overview



The number of zones depends on unit.

## ► ?

For more information, refer to the *Installer's Guide* (P/N 032-042) shipped with Control Units or contact Lutron. Wiring must be performed by certified electrician with power off.