

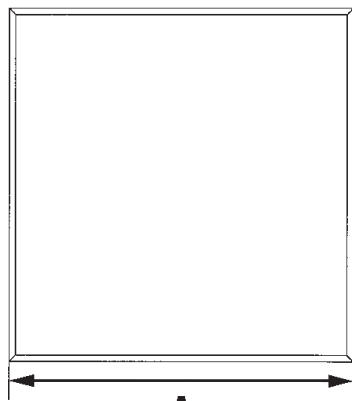
# GRAFIK Eye Accessory Control

## LUTRON SPECIFICATION SHEET

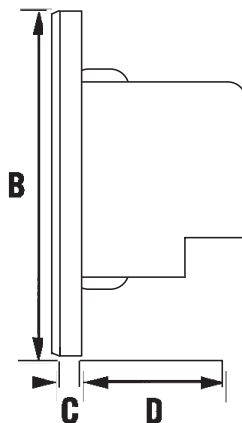
**NGRX-  
FDBI  
-CE**

Model No.  
NGRX-FDBI-CE-WH

## Fluorescent Interface



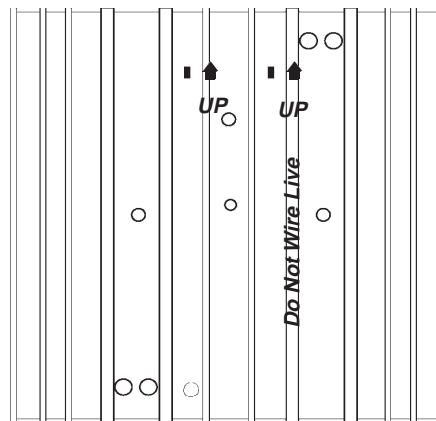
Front View



Side View

Dimensions  
mm

- A** 114
- B** 116
- C** 17
- D** 48



With Faceplate Removed

### ► Specifications

POWER	Operating Voltage: 230 VAC 50/60Hz.
TERMINALS	Capacity: (2) 2.5 mm <sup>2</sup> .
MOUNTING	(2) SB-1G backboxes (available from Lutron).
ENVIRONMENTAL	0 - 40°C.
LOAD TYPES/ CAPACITIES	Lutron Hi-lume® fluorescent ballast; up to 5A @ 230V per zone.

### ► Function

Interfaces between GRAFIK Eye 3000 Series Control Units and Lutron's fluorescent dimming ballasts. One interface required per zone.



Lutron EA Ltd.  
6 Sovereign Close  
Wapping, London E1 9HW  
Tel: (0171) 702-0657 Fax: (0171) 480-6899  
7/97 P/N 362-810/A4

Lutron Electronics Co., Inc.  
7200 Suter Road  
Coopersburg, PA 18036  
Tel: (610) 282-3800 Fax: (610) 282-1243



► **Wiring/Mounting**

Turn off power to the control unit and the feed to the Interface. Mount backbox. Strip 12 mm insulation from the backbox wires: 2.5 mm<sup>2</sup> 75°C copper (CU). Connect as shown in Figure 1. Mount as shown in Figure 2.

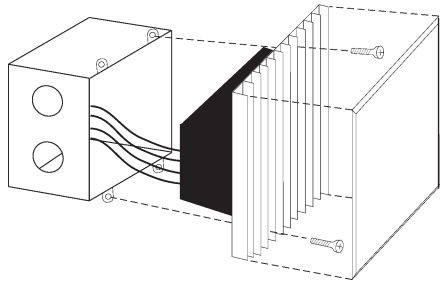


Figure 2. Mounting Diagram

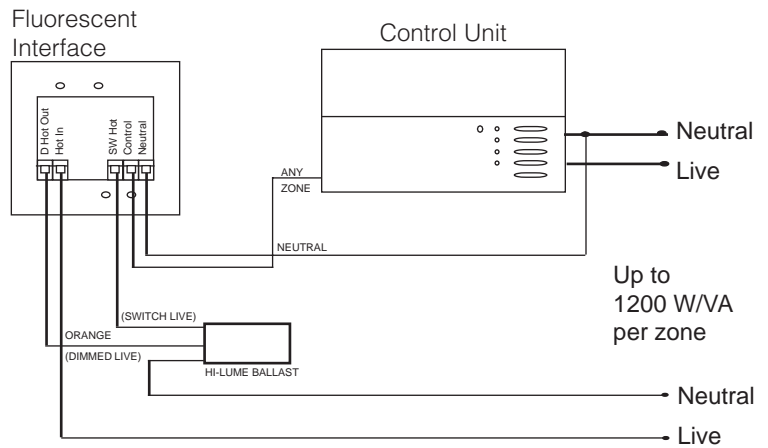
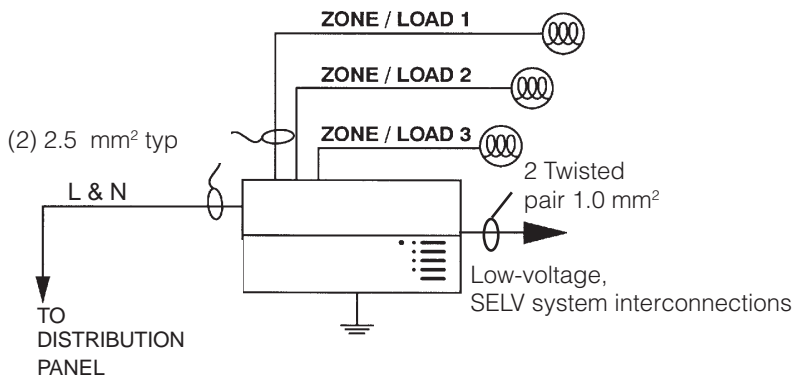


Figure 1. Connection Diagrams

► **GRAFIK Eye 3000 Series Wiring Overview**



The number of zones depends on unit.

► **?**

For more information, refer to the installation instructions shipped with the product or call Lutron. Wiring must be performed by a certified electrician and with power off.