

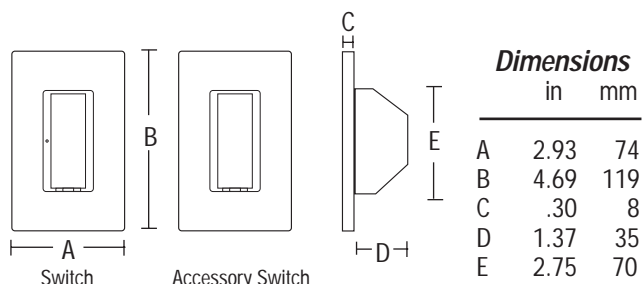
RadioRA Multi-Location Switches for Permanently Installed Lighting Loads

RAS-8LM, RA-AS

Model No.: RAS-8LM- RA-AS-

Gloss Colors: White Ivory ALmond Light Almond GRay BRown BLack

Satin Colors: HoI KiWi OChre LiLac TerraCotta Desert Stone STone LimeStone
 Blue MisI Sea Glass MidNight TauPe EggShell Blscuit SnoW



Note: Switches shown with Lutron Designer Wallplates

► Specifications

POWER	Input: 120/127VAC, 50/60Hz (requires a neutral wire connection)
MOUNTING	1-gang US wallbox
TEMPERATURE	32-104°F (0-40°C)
DESIGN	Use Lutron Claro® or Satin Colors™ wallplates or standard decorator-style wallplates
SYSTEM MAX.	32 Dimmers/Switches/GRAFIK Eye® Interfaces (does not include RA-AD Accessory Dimmers or RA-AS Accessory Switches)
LOAD TYPE	Incandescent, fluorescent, magnetic low-voltage, electronic low-voltage, high intensity discharge
MAX. CAPACITY	8A
MIN. LOAD	5W
AUXILIARY CONTROLS	Use up to 9 RA-AS Accessory Switches for 3-way and 4-way applications

For multi-gang installations, derate load capacities as follows:

Model No.	End of Gang (1 side section removed)	Middle of Gang (2 side sections removed)
RAS-8LM	6.5A	5A
RA-AS	Does not require derating	Does not require derating

► Features

- Multi-location switching
- Single tap brings lights instantly to full on.
- LED indicates status of lighting load (on RAS-8LM only).

► Function

- Allows local control of one circuit of lights in a RadioRA System to:
- turn lights on or off

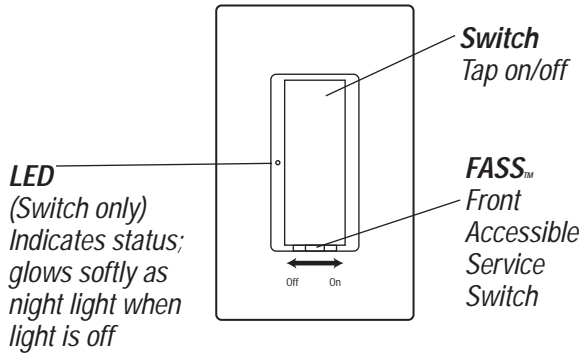
► Flexibility

- Uses conventional 3-way and 4-way wiring.

► Reliability

- Switches always operate locally and do not require central system control.

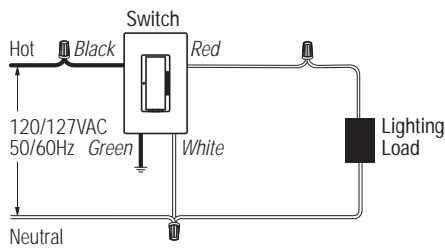
► **Switch Operation**



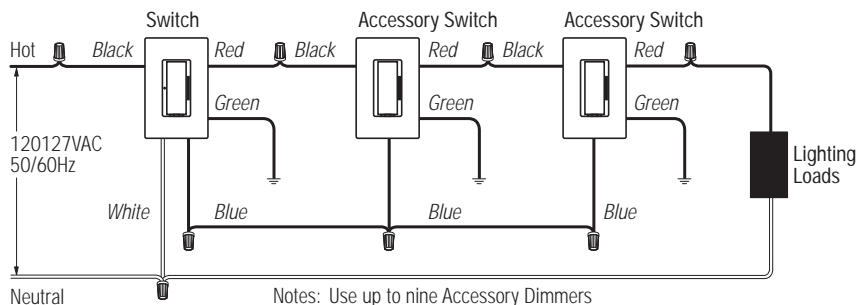
IMPORTANT NOTICE:
 FASS™ - Front Accessible Service Switch - to replace bulb, remove power by sliding FASS switch to the left on either the RadioRA Switch or Accessory Switch.

► **Wiring Diagram**

Single-Location Installation



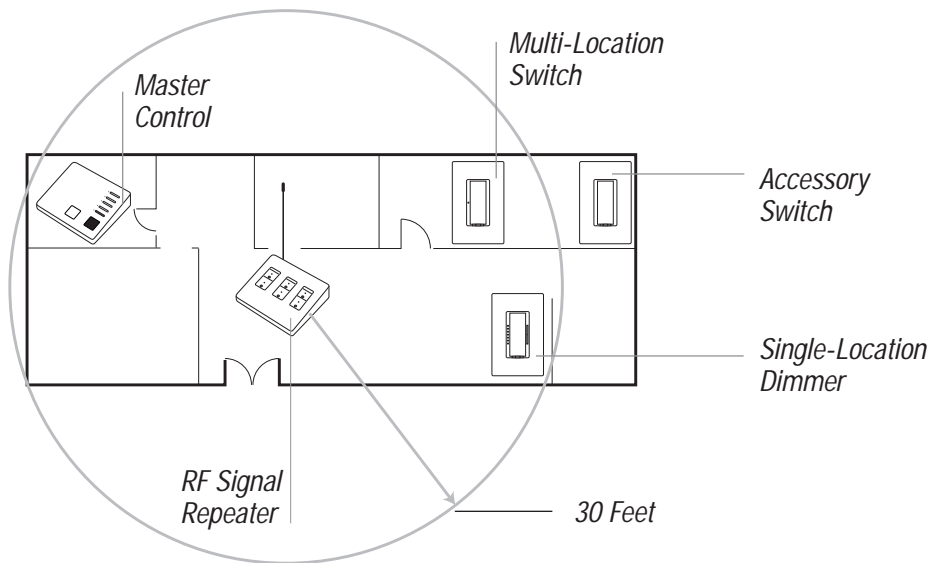
Multi-Location Installation



Notes: Use up to nine Accessory Dimmers
 Maximum wire run length on blue wire is 250 feet.

Ground Wire Connectors

► **RadioRA System Overview**



Notes:

- RadioRA Switches must be located within 30 feet of an RF Signal Repeater.
- RadioRA Accessory Switches (RA-AS) are not required to be within any specific range of an RF Signal Repeater.

► **Limited Warranty**

Lutron will, at its option, repair or replace any unit that is defective in materials or manufacture within one year after purchase. For warranty service, return unit to place of purchase or mail to Lutron at 7200 Suter Rd., Coopersburg, PA 18036-1299, postage pre-paid. THIS WARRANTY IS IN LIEU OF ALL OTHER EXPRESS WARRANTIES, AND THE IMPLIED WARRANTY OF MERCHANTABILITY IS LIMITED TO ONE YEAR FROM PURCHASE. THIS WARRANTY DOES NOT COVER THE COST OF INSTALLATION, REMOVAL OR REINSTALLATION, OR DAMAGE RESULTING FROM MISUSE, ABUSE, OR IMPROPER OR INCORRECT REPAIR, OR DAMAGE FROM IMPROPER WIRING OR INSTALLATION. THIS WARRANTY DOES NOT COVER INCIDENTAL OR CONSEQUENTIAL DAMAGES. LUTRON'S LIABILITY ON ANY CLAIM FOR DAMAGES ARISING OUT OF OR IN CONNECTION WITH THE MANUFACTURE, SALE, INSTALLATION, DELIVERY, OR USE OF THE UNIT SHALL NEVER EXCEED THE PURCHASE PRICE OF THE UNIT. This warranty gives you specific legal rights, and you may also have other rights which vary from state to state. Some states do not allow limitations on how long an implied warranty lasts, so the above limitation may not apply to you. Some states do not allow the exclusion or limitation of incidental or consequential damages, so the above limitation or exclusion may not apply to you.

© 2001 Lutron Electronics Co., Inc.