

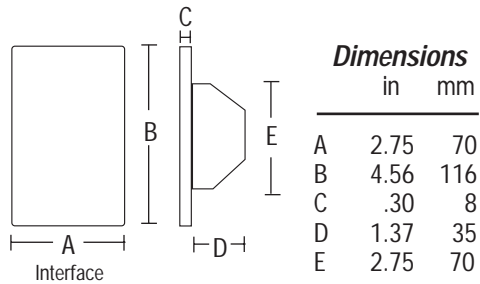
# Lutron Specification Submittal

## RadioRA GRAFIK Eye® Interface

RA-GRXI

Model No.:  RA-GRXI

Color:  White



### ► Specifications

#### COMPATIBLE WITH THE FOLLOWING GRAFIK EYE MODELS:

3100 Series, 3500 Series, 4100 Series, 4500 Series

#### POWER

Input: Class 2, 12VDC (3100/3500 Series),  
24V Full Wave (4100/4500 Series) or 24 VAC, 50/60 Hz

#### MOUNTING

1-gang US wallbox, if required (consult local Electrical code)

#### TEMPERATURE

32-104°F (0-40°C)

#### DESIGN

Use plastic wallplates, included

#### RadioRA SYSTEM MAX.

Total of 32 Dimmers, Switches or GRAFIK Eye Interfaces (in any combination)

#### COMMUNICATION

2-way status feedback from GRAFIK Eye Preset Controls to RadioRA Master Controls

#### GRAFIK Eye ADDRESSING

A RadioRA GRAFIK Eye Interface will always occupy address number 15 on a GRAFIK Eye link. This cannot be changed. NOTE: Interface counts as one Accessory Control in a GRAFIK Eye system

### ► Function

Allows control of GRAFIK Eye Preset Dimming Controls from any RadioRA Master Control button to:

- select one of 16 GRAFIK Eye preset lighting scenes or off
- each GRAFIK Eye link requires one dedicated RA-GRXI-WH Interface.
- up to eight linked GRAFIK Eye Controls will always respond simultaneously to any RadioRA Master Control command (i.e. turn on to the same scene or off).
- raise and lower GRAFIK Eye controls

### ► Reliability

- GRAFIK Eye Preset Dimming Controls always operate locally and do not require central system control.

### ► Pre-Wiring for GRAFIK Eye 3000 Series Units

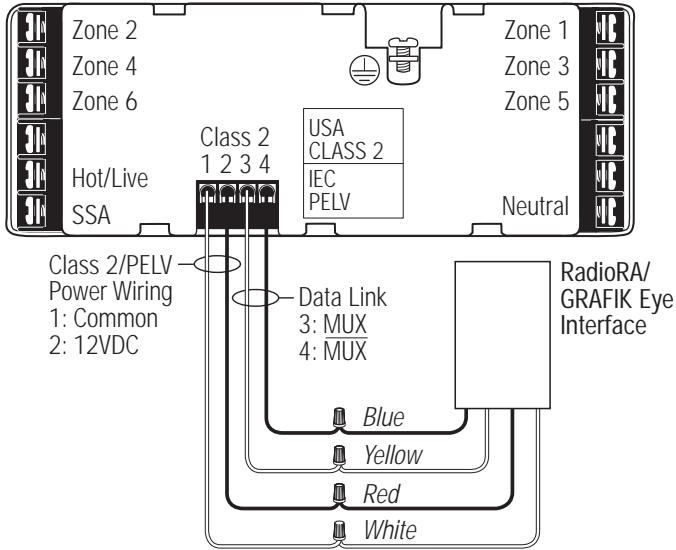
Mount appropriate wallbox. Pull power wiring from distribution panel and to light fixtures as shown (on reverse). Pull two twisted pair #18 AWG for system wiring:

1. DATA LINK: Twisted pair (2-conductor cable Belden 9740 for non-plenum jobs, and Belden 82740 for plenum jobs)
2. LOW-VOLTAGE POWER WIRING: Two #18 (1.0mm<sub>2</sub>) conductors for common and 12VDC or 24 VFW or 24 VAC

► **Wiring Diagram**

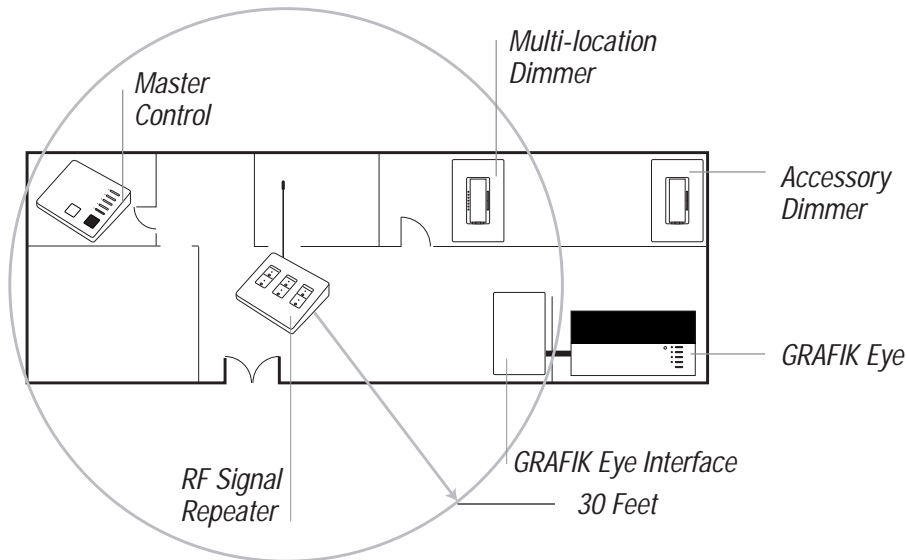
RadioRA/GRAFIK Eye Interface Wiring, RA-GRXI with GRX-3106 (typical)

GRX-3106



- Ground
- Wire Connectors

► **RadioRA System Overview**



**Notes:**

- RadioRA Interfaces must be located within 30 feet of an RF Signal Repeater.

► **Limited Warranty**

Lutron will, at its option, repair or replace any unit that is defective in materials or manufacture within one year after purchase. For warranty service, return unit to place of purchase or mail to Lutron at 7200 Suter Rd., Coopersburg, PA 18036-1299, postage pre-paid. THIS WARRANTY IS IN LIEU OF ALL OTHER EXPRESS WARRANTIES, AND THE IMPLIED WARRANTY OF MERCHANTABILITY IS LIMITED TO ONE YEAR FROM PURCHASE. THIS WARRANTY DOES NOT COVER THE COST OF INSTALLATION, REMOVAL OR REINSTALLATION, OR DAMAGE RESULTING FROM MISUSE, ABUSE, OR IMPROPER OR INCORRECT REPAIR, OR DAMAGE FROM IMPROPER WIRING OR INSTALLATION. THIS WARRANTY DOES NOT COVER INCIDENTAL OR CONSEQUENTIAL DAMAGES. LUTRON'S LIABILITY ON ANY CLAIM FOR DAMAGES ARISING OUT OF OR IN CONNECTION WITH THE MANUFACTURE, SALE, INSTALLATION, DELIVERY, OR USE OF THE UNIT SHALL NEVER EXCEED THE PURCHASE PRICE OF THE UNIT. This warranty gives you specific legal rights, and you may also have other rights which vary from state to state. Some states do not allow limitations on how long an implied warranty lasts, so the above limitation may not apply to you. Some states do not allow the exclusion or limitation of incidental or consequential damages, so the above limitation or exclusion may not apply to you.

© 2001 Lutron Electronics Co., Inc.