

# RF Keypads

Wireless Series
Keypad
RF Keypad Link-8.2
Designer-Style/Tabletop

HomeWorks® keypads, available in many styles, colors, and finishes, provide homeowners with a simple and elegant way to operate lights, shades, motorized screens, pumps, thermostats, and many other devices. Keypads have LEDs that provide real-time status indication. Lutron provides custom engraving to clearly identify each button's function.

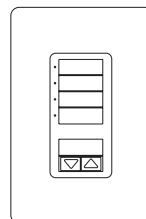
Keypads are available in a variety of button styles and button configurations. Since each button on every keypad model can be programmed to control any lighting load or device on the *HomeWorks* system, choosing a keypad for a particular location requires no more than selecting the desired style and number of buttons. Engraving can be added to any keypad. Please contact Lutron Customer Service or your local Lutron Representative for details.

Each *HomeWorks* RF link is capable of controlling up to 32 RF Keypads.

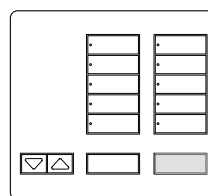
## **COMMUNICATION TO THE PROCESSOR**

Up to 32 RF keypads communicate to an RF processor or an 8 or 4 Series processor with a hybrid repeater. Keypads must be located within 30 feet (9 m) of the RF processor or a hybrid repeater.

## Designer-style



seeTouch®



Tabletop

# RF Keypads (cont.)

## **Designer seeTouch® KEYPADS**

Designer-style *seeTouch* keypads feature large, easy-to-use buttons, plus a unique backlit engraving option that makes the keypads readable any time of the day or night. *seeTouch* buttons are rounded, allowing engraving to be displayed at an upward angle, increasing readability. *seeTouch* keypads are available with one to seven buttons, allowing you to customize the number of functions to fit your need. The flexible design even allows the number of buttons and the configuration of the buttons to be changed after the keypad is installed.

Options include configurations with infrared receiver and raise/lower buttons.

## **COLORS AND FINISHES**

Designer-style *seeTouch* keypads are available in Designer Gloss finishes and Satin Colors® Matte finishes. Button color may differ from insert color ordered. Refer to *seeTouch* Ordering Guide (367-571) for details. Also see Appendix F: Colors & Finishes.

## **ORDERING METHODS**

Temporary button labels for *seeTouch* keypads are available in Gray letters (GR) for light colored buttons, or in White letters (WH) for dark colored buttons. Order model number ST-LBL-GR (or WH) for 1 sheet, or model number ST-LBL25-GR (or WH) for a pack of 25 sheets.

### **a) Engraving will be decided after installation**

- 1) Order keypad with buttons. A prepaid engraving certificate is included.  
STRD-Model-Color
- 2) After engraving is determined, redeem engraving certificate.  
SKD-Model-Color-E

### **b) Engraving will be decided before installation**

- 1) Order keypad without buttons.  
Non-IR: STR-NB-NONE  
IR: STR-NBIR-NONE
- 2) Order engraved button kit.  
SKD-Model-Color-E

## **seeTouch KEYPADS**

### **1-Button**



Keypad\*: STRD-1B-XX  
Button Kit: SKD-1B-XX-E  
Description: 1-button

### **2-Button**



Keypad\*: STRD-2B-XX  
Button Kit: SKD-2B-XX-E  
Description: 2-button

### **3-Button**



Keypad\*: STRD-3B-XX  
Button Kit: SKD-3B-XX-E  
Description: 3-button



Keypad\*: STRD-3BRL-XX  
Button Kit: SKD-3BRL-XX-E  
Description: 3-button with raise/lower

### **4-Button**



Keypad\*: STRD-4B-XX  
Button Kit: SKD-4B-XX-E  
Description: 4-button



Keypad\*: STRD-4FS-XX  
Button Kit: SKD-4FS-XX-E  
Description: 4-button favorite scene



Keypad\*: STRD-4S-XX  
Button Kit: SKD-4S-XX-E  
Description: 4-scene



Keypad\*: STRD-4SIR-XX  
Button Kit: SKD-4SIR-XX-E  
Description: 4-scene with IR receiver

\* Claro® Gloss and *Satin Colors* Matte Finishes wallplate sold separately.

XX= Color Code

# RF Keypads (cont.)

## seeTouch® KEYPADS (cont.)

### **5-Button**



Keypad\*: STRD-5B-XX  
Button Kit: SKD-5B-XX-E  
Description: 5-button



Keypad\*: STRD-5FS-XX  
Button Kit: SKD-5FS-XX-E  
Description: 5-button favorite scene



Keypad\*: STRD-5BRL-XX  
Button Kit: SKD-5BRL-XX-E  
Description: 5-button with raise/lower

### **6-Button**



Keypad\*: STRD-6B-XX  
Button Kit: SKD-6B-XX-E  
Description: 6-button



Keypad\*: STRD-6BRL-XX  
Button Kit: SKD-6BRL-XX-E  
Description: 6-button with raise/lower

### **7-Button**



Keypad\*: STRD-7B-XX  
Button Kit: SKD-7B-XX-E  
Description: 7-button

## seeTouch - NO BUTTONS

### **No-Button**



Keypad: STR-NB-NONE  
Description: No buttons, no IR receiver



Keypad: STR-NBIR-NONE  
Description: No buttons with IR receiver



Keypad: STR-2G-NBIR-NONE  
Description: 2-gang, no buttons with IR receiver

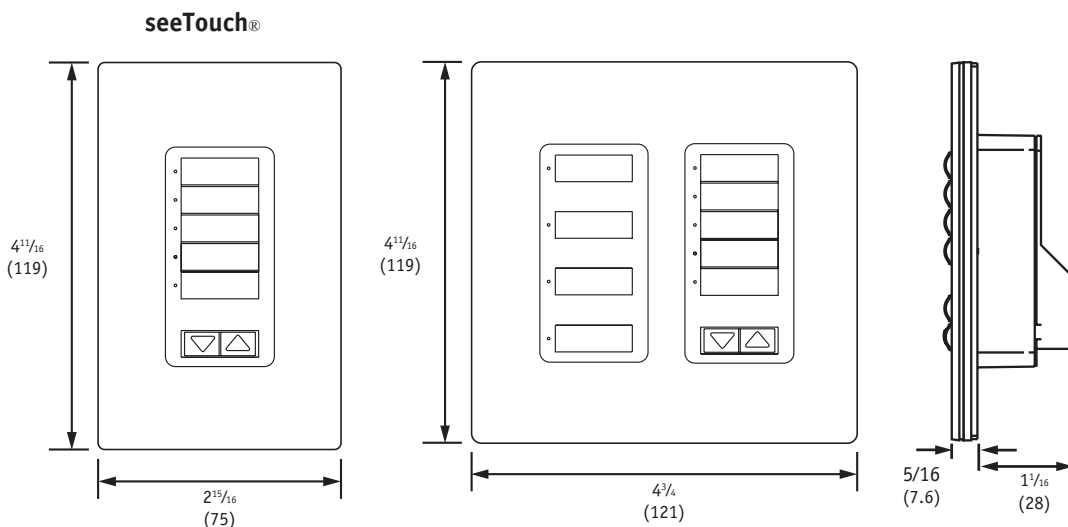
\* Claro® Gloss and *Satin Colors* Matte Finishes wallplate sold separately.

XX= Color Code

# RF Keypads (cont.)

## RF Wall-Mounted Keypads

Model Numbers	All RF Wall-Mounted Keypads
Input Voltage	120 V $\sim$ , 50/60 Hz
Regulatory Approvals	UL, CSA, NOM, FCC, IC
Environment	Ambient operating temperature: 0 °C to 40 °C, 32 °F to 104 °F Ambient operating humidity: 0-90% humidity, non-condensing. Indoor use only.
Addressing	Via the HomeWorks <sup>®</sup> software, using unique device serial numbers. Units must be installed prior to addressing. Counts as 1 of the 32 keypad addresses on the Processor.
Diagnostics	LEDs provide diagnostics for troubleshooting.
ESD Protection	Meets or exceeds the IEC 61000-4-2 standard.
Surge Protection	Meets or exceeds ANSI/IEEE standard c62.41.
Mounting	STRD-xx, STR-NB-NONE, STR-NBIR-NONE: 1-gang US wallbox STR-2G-NBIR-NONE: 2-gang US wallbox
Engraving	Engraving of keypads and/or keypad buttons available.
IR Keypads	Compatible with these Lutron IR transmitters: GRX-IT-WH, GRX-8IT-WH, SPS-4IT-RP, SPS-FSIT-RP, SP-HT-WH. See Appendix C: Infrared (IR) Integration.
Shipping Weight	0.3 lbs. (0.1 kg)
Keypad Link LED Count	0 (not applicable since not powered by keypad link)



**Figure 1 – Dimensions**  
all dimensions are shown as inches (mm)

# RF Keypads (cont.)

## SLIM AND LARGE BUTTON RF TABLETOP KEYPADS

HomeWorks® RF tabletop keypads provide maximum flexibility to locate the devices where the homeowner can conveniently monitor and control lighting, window treatments, and other home systems. Tabletop keypads are ideal for night stands, coffee tables, and kitchen counters. Keypad buttons are programmed to create a customized control that meets the individual needs of each home.

Keypads have LEDs that provide real-time status indication. Custom engraving is available to clearly identify each button's function. RF tabletop keypads can be part of any system design with RF capability.

The RF tabletop keypads are available with Large Button (5-, 6-, 10-, or 15-button) and Slim Button (5-, 10-, or 15-button) configurations. All of these models also include raise/lower buttons. All units are plug-in/battery combo units.

## COLORS AND FINISHES

All RF tabletop keypads are available in Midnight (MN) and Snow (SW). Metal faceplates can be ordered separately keypads. See Appendix F: Colors & Finishes.

## COMMUNICATION TO PROCESSOR

All RF tabletop keypads must be located within 30 feet (9 m) of an RF processor or a hybrid repeater. Each HomeWorks RF-capable processor can control up to 32 RF keypads. The tabletop keypad counts as one of the 32 RF keypads.

## ORDERING METHOD

- 1) Order keypad with buttons/faceplate. Order a Midnight keypad if a metal faceplate will be used. A prepaid engraving certificate is included.  
HRT-Model-Color
- 2) After engraving is determined, redeem engraving certificate for engraved faceplate with same number of buttons as control.  
HKT-Model-Color-E

## LARGE BUTTON

### **5-Button**



Description: 5-button with raise/lower  
Keypad: HRT-5S2RL-XX  
Faceplate only: LBK-T5RL-XX-E

### **10-Button**



Description: 10-button with raise/lower  
Keypad: HRT-10S2RL-XX  
Faceplate only: LBK-T10RL-XX-E

### **15-Button**



Description: 15-button with raise/lower  
Keypad: HRT-15S2RL-XX  
Faceplate only: LBK-T15RL-XX-E

### **6-Button**



Description: 6-button with raise/lower  
Keypad: HRT-6LRL-C-XX  
Faceplate only: HKT-6LRL-XX-E

## SLIM BUTTON

### **5-Button**



Description: 5-button with master on/off and raise/lower  
Keypad: HRT-5RL-C-XX  
Faceplate only: HKT-5RL-XX-E

### **10-Button**



Description: 10-button with master on/off and raise/lower  
Keypad: HRT-10RL-C-XX  
Faceplate only: HKT-10RL-XX-E

### **15-Button**

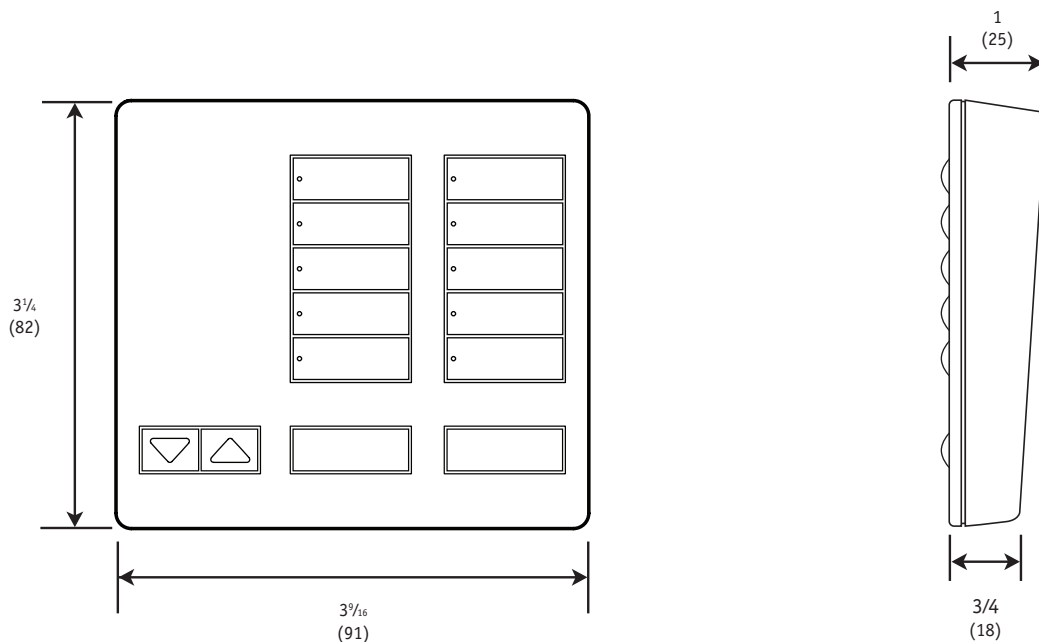


Description: 15-button with master on/off and raise/lower  
Keypad: HRT-15RL-C-XX  
Faceplate only: HKT-15RL-XX-E

XX= Color Code

# RF Keypads (cont.)

Model Numbers	All RF Tabletop Keypads.
Input Voltage	120 V $\sim$ , 60 Hz (with plug-in 9 V $\equiv$ transformer). 3 V $\equiv$ (with two AAA batteries).
Regulatory Approvals	Plug-in low-voltage transformer: UL Listed for US and Canada, NOM; Keypads: FCC, IC
Environment	Ambient operating temperature: 0 °C to 40 °C, 32 °F to 104 °F Ambient operating humidity: 0-90% humidity, non-condensing. Indoor use only.
Addressing	Via the HomeWorks <sup>®</sup> software, using unique device serial numbers. Units must be installed prior to addressing. Counts as 1 of the 32 RF keypad addresses on a processor.
Diagnostics	LEDs provide diagnostics for troubleshooting.
ESD Protection	Meets or exceeds the IEC 61000-4-2 standard.
Surge Protection	Meets or exceeds ANSI/IEEE standard c62.41.
Dimensions	See Fig. 1, below.
Mounting	Units powered by plug-in transformer must be located within 5 feet (1.5 m) of a 120 V $\sim$ receptacle. Unit must be placed within 30 feet (9 m) of an RF Processor or a Hybrid Repeater.
Shipping Weight	0.3 lbs. (0.1 kg)
Keypad Link LED Count	0 (not applicable since not powered by keypad link)



**Figure 1 – Dimensions**  
**[all dimensions are shown as inches (mm)]**  
**Large Button Model shown - dimensions for all Tabletop Keypads are identical**

# RF Visor Controls

Wireless Series
Visor Interface
RF Keypad Link-8.2
Car Visor Controls

## **RF VISOR RECEIVER AND TRANSMITTER (MODEL # HR-VCRX-SW AND HR-VCTX-SW)**

HomeWorks® RF visor controls provide control of lighting and other equipment from your car — with just the touch of a button. The RF visor receiver has four dry contact closure outputs that can be used for garage doors or gates. Turn lights on or off, set scenes, or turn on vacation mode from your car as you are leaving your home. Pre-printed labels are provided to clearly identify each button's function.

Each transmitter provides up to seven functions (3 buttons give seven total press combinations). Up to ten transmitters will work with one receiver. RF visor controls may be used in any system design with RF capability.

The RF visor receiver is a non-aesthetic control and is intended to be mounted in an unseen location.

### **COLORS AND FINISHES**

RF visor controls are available in Snow (SW).

### **COMMUNICATION TO PROCESSOR**

The RF visor receiver must be located within 30 feet (9 m) of an RF processor or a hybrid repeater. Each RF-capable processor can control up to 32 RF keypads. The RF visor receiver counts as one of the 32 RF keypads.



**RF Visor Receiver and Transmitter  
(HR-VCRX-SW and HR-VCTX-SW)**

*HomeLink and the HomeLink Compatible logo are registered trademarks of Johnson Controls.*

# RF Visor Controls (cont.)

## Receiver

Model Number	HR-VCRX-SW: Visor Control Receiver
Input Voltage	120 V $\sim$ , 60 Hz (with plug-in 9 V $\equiv$ transformer).
Regulatory Approvals	Plug-in low-voltage transformer: UL Listed for US and Canada, NOM; Visor Control Receiver: FCC, IC
Line-Voltage Connections	Lutron provides a plug-in low-voltage transformer.
Mounting	Mount with wall bracket (provided) or place on tabletop.
Environment	Ambient operating temperature: 0 °C to 40 °C, 32 °F to 104 °F Ambient operating humidity: 0-90% humidity, non-condensing. Indoor use only.
Outputs	Four low-voltage dry contacts. Max. voltage: NEC® Class 2 (IEC PELV) Max. current: 1 A @ 30 V $\equiv$

## Transmitter

Model Number	HR-VCTX-SW: Visor Control Transmitter.
Input Voltage	6 V $\equiv$ , two CR2032 coin cell batteries (3 V $\equiv$ each; included).
Regulatory Approvals	Meets Society of Automotive Engineers (SAE) Standards. FCC, IC
Function	Provides up to seven functions from three buttons.
Mounting	Removable visor clip.
Range	150 feet (46 m) typical.
Environment	Ambient operating temperature: -40 °C to 113 °C, -40 °F to 235 °F Ambient operating humidity: 0-90% humidity, non-condensing.

All dimensions are shown as inches (mm)

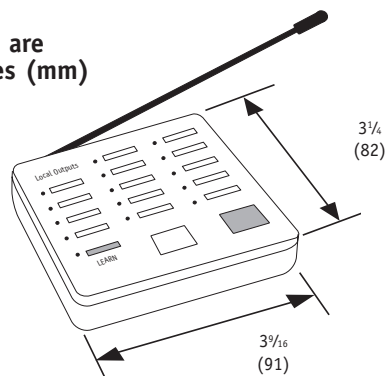


Figure 1 – HR-VCRX-SW Dimensions

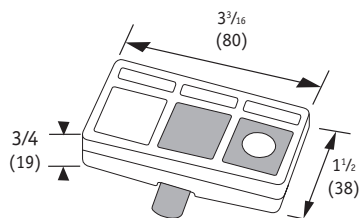


Figure 2 – HR-VCTX-SW Dimensions

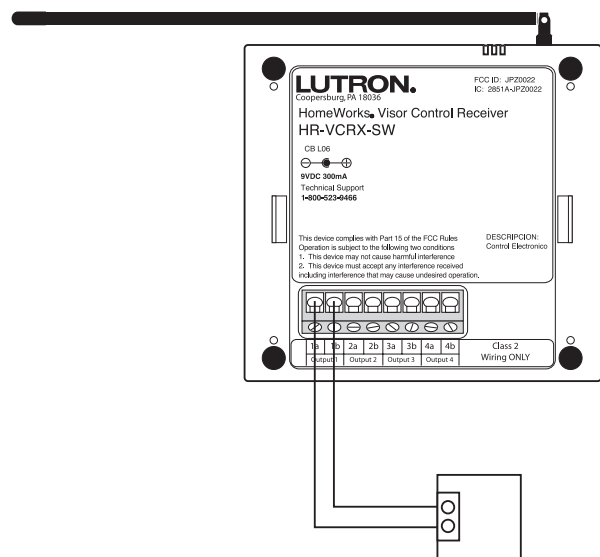


Figure 3 – Wiring to a CCO device