

Wire Landing Board

4/8 Series
Panel Accessories
N/A
N/A

WIRE LANDING BOARD (MODEL # HWI-WLB)

The wire landing board is a wiring aid consisting of a printed circuit board with three sets of four terminal blocks. Each of these sets of terminal blocks is connected pin-to-pin, simplifying home run wiring. The wire landing board is installed in a low-voltage enclosure (see pg. 178-180 for more information).

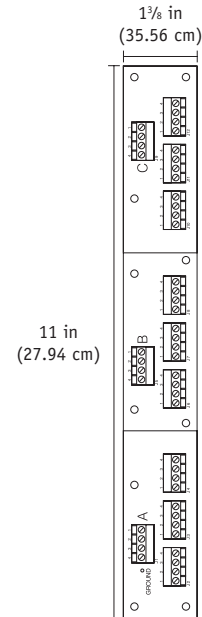


Figure 1 – Dimensions

Model Number	HWI-WLB: Wire Landing Board.
Low-Voltage Connections	Three groups of 4-position removable terminal blocks. Terminal blocks will accept up to two #18 AWG (1.0 mm ²) wires. See Fig. 2, below.
Environment	Ambient operating temperature: 0 °C to 40 °C, 32 °F to 104 °F Ambient operating humidity: 0-90% humidity, non-condensing. Indoor use only.
Mounting	Mounts in the following enclosures: HWI-LV32-120, HWI-LV24-120, and HWI-LV17-120.
Shipping Weight	0.5 lbs. (0.3 kg)

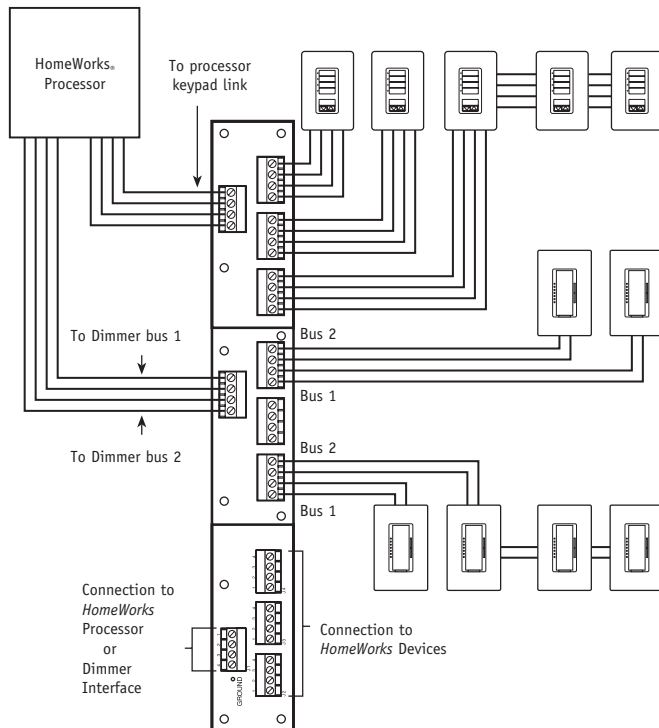


Figure 2 – Wiring Diagram