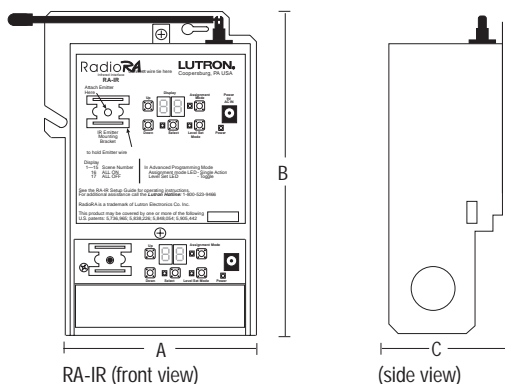


RadioRA Infrared Interface

RA-IR

Model No.: RA-IR

Color: White



Dimensions

	in	mm
A	4.0	100
B	7.75	197
C	2.5	64

► Specifications

POWER	Input: 120VAC, 60Hz Output: AC 9V/500mA Class 2 Use only the AC adapter provided by Lutron
MOUNTING	Mounts on a 4" square utility box or flat on a wall
TEMPERATURE	32-104°F (0-40°C)
INPUTS	Lutron lighting IR commands
SYSTEM MAX.	IR Interface takes one Master Control address. Maximum 12 Master Controls per system.

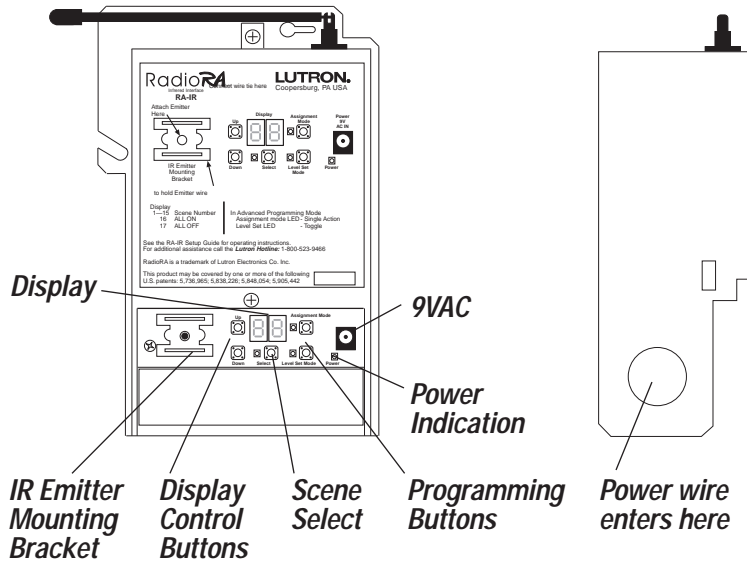
► Features

- Each scene can be individually selected between toggle or single-action functionality.
- The IR Receiver integrates easily with IR repeating systems to automate whole-home control or a home theater system.
- Unit displays scenes (#s 1-15), All On (#16), and All Off (#17).
- Has a feature for mounting the IR Transmitter for most IR-repeating systems.

► Function

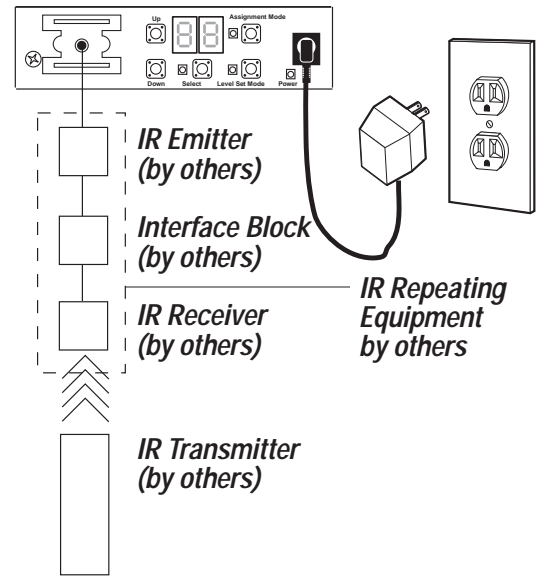
- Integrates RadioRA controls with IR emitting equipment.
- Allows 15 programmable scenes plus All On and All Off.
- Raises and lowers the 15 programmable scenes.

► **Infrared Interface Operation**

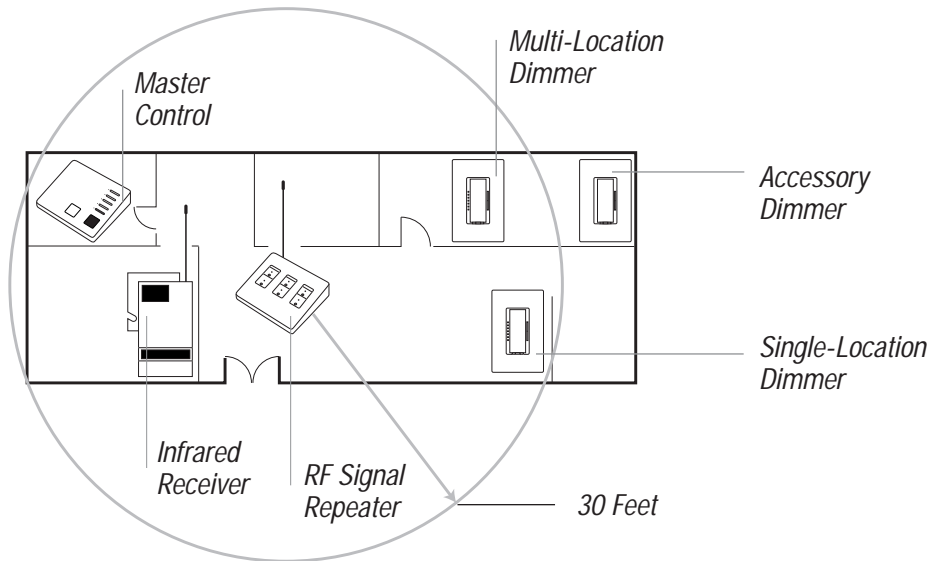


► **Installation**

Plug in using provided AC adapter



► **RadioRA System Overview**



Notes:

- RadioRA Interfaces must be located within 30 feet of an RF Signal Repeater.

► **Limited Warranty**

Lutron will, at its option, repair or replace any unit that is defective in materials or manufacture within one year after purchase. For warranty service, return unit to place of purchase or mail to Lutron at 7200 Suter Rd., Cooperburg, PA 18036-1299, postage pre-paid.

THIS WARRANTY IS IN LIEU OF ALL OTHER EXPRESS WARRANTIES, AND THE IMPLIED WARRANTY OF MERCHANTABILITY IS LIMITED TO ONE YEAR FROM PURCHASE. THIS WARRANTY DOES NOT COVER THE COST OF INSTALLATION, REMOVAL OR REINSTALLATION, OR DAMAGE RESULTING FROM MISUSE, ABUSE, OR IMPROPER OR INCORRECT REPAIR, OR DAMAGE FROM IMPROPER WIRING OR INSTALLATION. THIS WARRANTY DOES NOT COVER INCIDENTAL OR CONSEQUENTIAL DAMAGES. LUTRON'S LIABILITY ON ANY CLAIM FOR DAMAGES ARISING OUT OF OR IN CONNECTION WITH THE MANUFACTURE, SALE, INSTALLATION, DELIVERY, OR USE OF THE UNIT SHALL NEVER EXCEED THE PURCHASE PRICE OF THE UNIT.

This warranty gives you specific legal rights, and you may also have other rights which vary from state to state. Some states do not allow limitations on how long an implied warranty lasts, so the above limitation may not apply to you. Some states do not allow the exclusion or limitation of incidental or consequential damages, so the above limitation or exclusion may not apply to you.

© 2001 Lutron Electronics Co., Inc.