

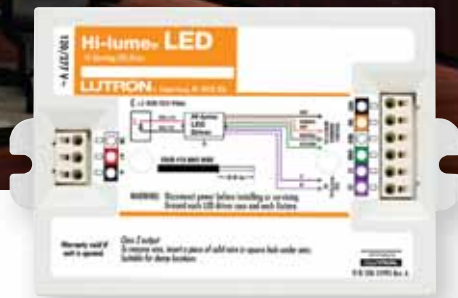
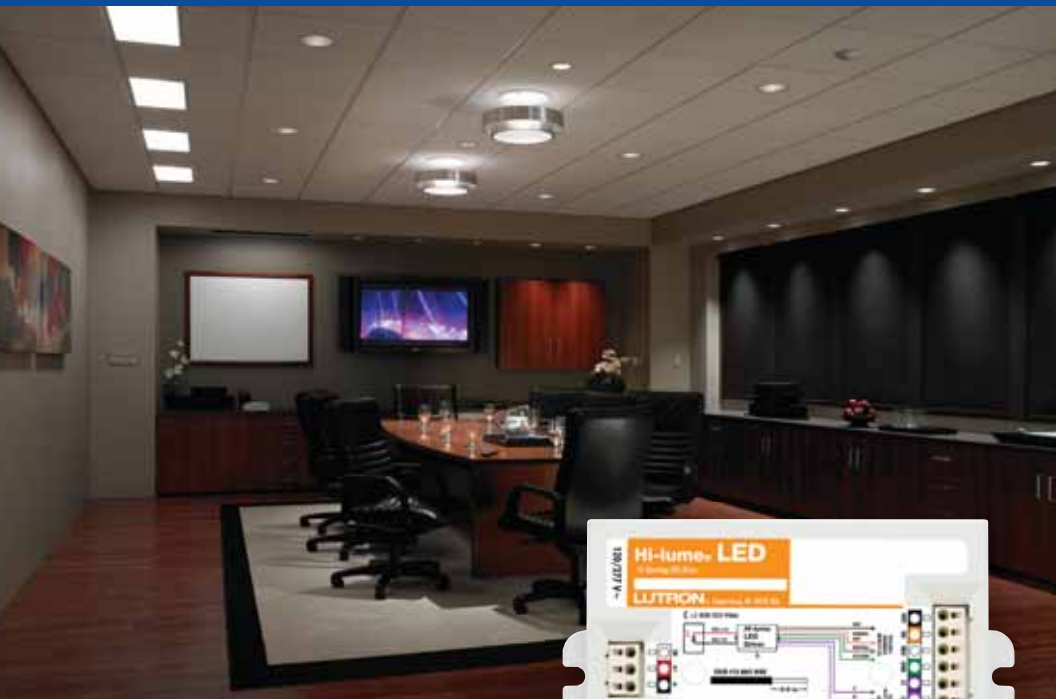


new | Hi-lume[®] LED driver
High performance driver for LED lighting



Hi-lume® LED driver

High performance driver for LED lighting



What is it?

A high performance driver that provides energy efficient LED dimming from 100% to 1%.

Hi-lume LED has precision microprocessor control and integral thermal management to achieve energy savings and extended product life.

With universal voltage and a wide variety of control options, Hi-lume LED is ideal for many projects and applications.

Why do I want it?

Performance

- True 1% dimming provides personalized light levels in addition to energy savings
- Immediate light output when switched on; no warm up time necessary
- Intelligently detects and responds to excessive temperatures by reducing power and light output to preserve driver life

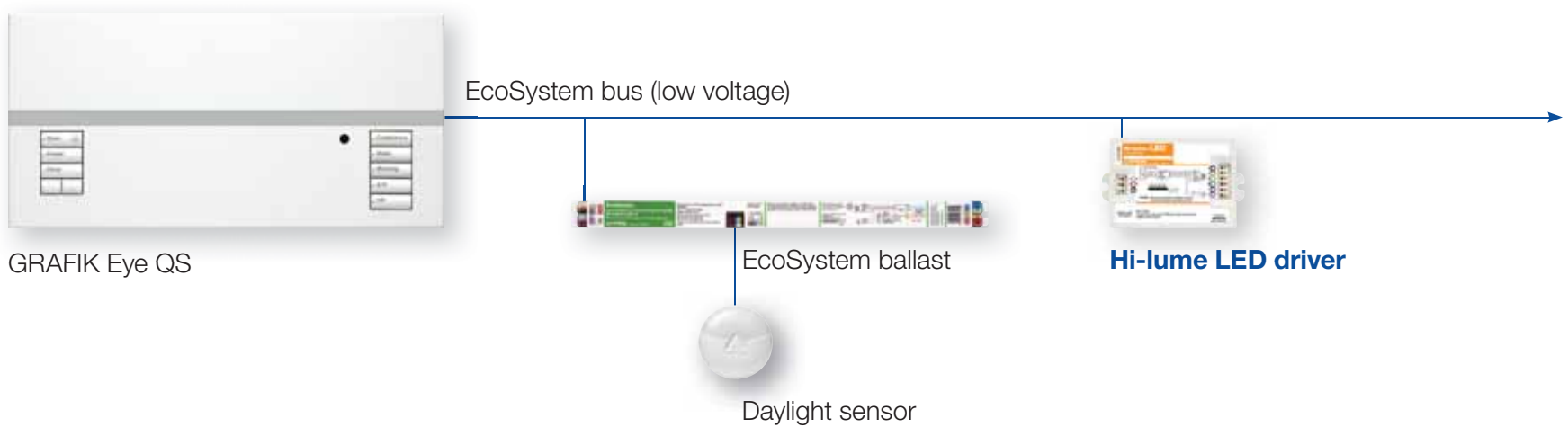
Quality

- 100% performance tested and qualified with light engines
- Service free lifetime of at least 50,000 hours
- Supported by a factory direct team of service engineers and 24/7 technical support

Control options

Digital (low voltage)

Programmed and addressed over the EcoSystem™ bus controlled via GRAFIK Eye® QS, occupancy sensors, daylight sensors, and Quantum™.



Analog (high voltage)

Dimming from single and multiple locations using Verti®, Nova T☆®, Maestro®, and GP dimming panels.



Verti dimmer



Nova T☆ dimmer



Maestro dimmer



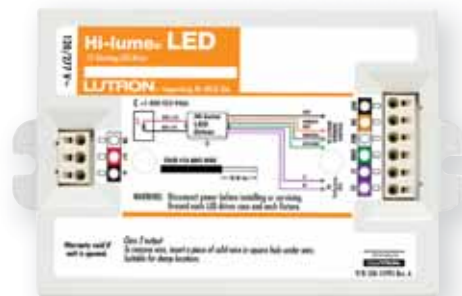
GP dimming panels

Hi-lume® LED driver

High performance driver for LED lighting

Features

- Constant Current LED driver
- 700mA, 1.05 Amp, 1.4 Amp, and 2.1 Amp models
- Smooth and continuous dimming from 100% to 1% of total light
- 3-wire and/or EcoSystem digital control
- Universal voltage (120V or 277V) 50 or 60Hz
- 25W maximum driver rating



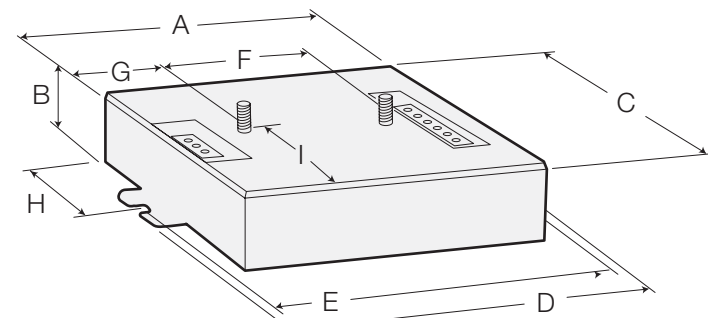
For more specification details please visit:
www.lutron.com/HilumeLED

For information about compatible fixtures please visit: www.lutron.com/HilumeLED/Fixtures



Dimensions

Low-profile LED driver enclosure mounts to a standard lighting fixture junction box.



- A 4.20 in. (107 mm)
- B 1.00 in. (25 mm)
- C 3.00 in. (76 mm)
- D 4.90 in. (124 mm)
- E 4.60 in. (117 mm) (mounting centers)
- F 2.00 in. (51 mm)
- G 1.08 in. (27 mm)
- H 1.60 in. (41 mm)
- I 1.39 in. (35 mm)



www.lutron.com/HilumeLED

World Headquarters 1.610.282.3800

Technical Support Center 1.800.523.9466

Customer Service 1.888.LUTRON1

© 11/2008 Lutron Electronics Co., Inc. | P/N 367-1522