

APPLICATIONS

An indirect or direct/indirect (slotted) sculptural luminaire for applications that require a 21" wall mounted, ADA compliant, decorative sconce such as:

Building, elevator, and office lobbies, hallways, stairwells, reception areas, executive offices, entry halls, theaters, and flanking doorways, windows, artwork, and fireplaces.

PRINCIPAL FEATURES

FIXTURE SHELL: Constructed using stamped aluminum.

LAMP: One 26, 32, or 42 Watt triple tube compact fluorescent lamp or 60 Watt incandescent lamp (not included). Neutral White 12 Watt high efficiency LED array provided with LED models.

SOCKETS: Twist-lock for compact fluorescent lamp configuration. Medium base screw-in for incandescent configuration. LED module is hard-wired and designed to last the lifetime of the fixture.

CONTROLS: LUTRON® 1% 3-wire dimming for 26 and 32 Watt compact fluorescent (CFL) and LED options 120 - 277 V~. LUTRON 5% 3-wire dimming for 26/32/42 Watt compact fluorescent 120 - 277 V~. Non-dimming for 26/32/42 Watt fluorescent and LED.

MOUNTING: Aluminum wall mounting system with multiple mounting holes for easy installation and lamp replacement. Locking screw keeps cover shell tightly fastened. Standard plate is painted white but can be painted to match housing shell. ADA compliant. Designed to protrude less than 4 in. from wall. For wall mounting only.

JUNCTION BOX: 4 in. octagonal, rectangular or round supplied by others.

WEIGHT: Compact fluorescent, LED - 4.5 lbs (2.1 kg), Incandescent - 3.6 lbs (1.6 kg).

ADA COMPLIANT: Designed to protrude less than 4" from the wall.

Technical documents available at www.ivaloighting.com.

ORDERING GUIDES

Included in standard fixture: Mounting system, lamp base shell, diffuser and ballast (fluorescent only).

BASE UNIT CONFIGURATION GUIDE

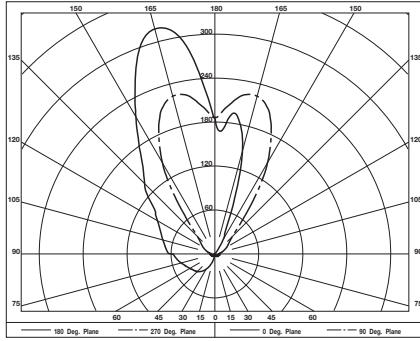
Select appropriate code in each column to complete model number.

Example:

A	N	—	21	—	—	—	W	—	—	WH	—	
Family	Type	Light Orientation	Fixture Length	Number of Lamps	Lamp Type	Voltage	Suspension	Control Option	Region	Chassis Color	Fixture Shell Color	
FA	TYP	IDFL	LEN	#L	LAMP	VOL	SUSP	CON	REG	CCO	FSCO	
A Aliante	N Interior	D Direct/ Indirect Lens	21 Long	1 One Lamp	26 26 W Compact Fluorescent	2 120 V~	W Wall Mounting	1 1% Dimming (26, 32 W, LED only)	U UL- North America	WH White	GG • Gloss Graphite	MG • Matte Graphite
		N Indirect No Lens		L Mult. LEDs	32 32 W Compact Fluorescent	4 220/240 V~ (Non CE)		5 5% Dimming (42 W fluorescent only)	I Inter- national		GS • Gloss Slate	MS • Matte Slate
					42 42 W Compact Fluorescent	7 277 V~		N Non Dimming			GT • Gloss Titanium	MT • Matte Titanium
					NL Neutral White LED			D 1% Dimming 2-wire (LED only)			AN Anodized Clear	AB Anodized Black Clear
					6N (60 W max) Incandescent Med base						GC Gloss Copper	MC Matte Copper
											GF Gloss Flame	MF Matte Flame
											GP Gloss Pearl White	MP Matte Pearl White
											GL Gloss Lapis	ML Matte Lapis
											GE Gloss Ebony	ME Matte Ebony
											GA Gloss Arctic White	MA Matte Arctic White
											PS Silver	PM Metallic Silver
											PB Bronze	

Custom control options and colors are available. Please contact Ivalo customer service for more information on customization options.

KEY:
• = Standard color options
(others are special order)



INDIRECT/DIRECT CANDELA PLOT

PHOTOMETRIC DATA (42 W Fluorescent)

	Total Luminaire Efficiency 14%	
Direct/Indirect		
Spacing Criterion Lateral Plane	0° 0.8	90° 3.5
Total Lamp Lumens	3200	
Input watts	47 W at 120 V~	

CANDELA DISTRIBUTION

FLUX

	0.0	22.5	45.0	67.5	90.0	112.5	135.0	157.5	180.0
0	1	1	1	1	1	1	1	1	1
5	1	1	1	1	1	1	1	2	1
15	1	1	1	1	2	3	3	6	9
25	0	1	1	2	2	4	4	20	19
35	0	1	1	2	3	6	7	32	28
45	0	1	1	2	3	10	10	41	34
55	0	1	1	2	4	15	13	46	37
65	0	0	1	3	5	19	17	49	42
75	0	0	1	3	6	24	24	54	48
85	0	0	1	3	6	31	33	60	54
90	0	0	1	3	6	29	36	59	60
95	0	0	1	2	6	26	39	59	67
105	0	0	1	2	10	35	48	66	74
115	0	0	1	3	15	46	60	76	83
125	0	0	1	8	22	57	73	93	99
135	0	1	6	17	34	93	103	129	136
145	7	15	21	33	96	167	162	175	181
155	33	44	66	122	182	228	232	249	259
165	145	166	186	208	223	249	280	306	318
175	180	174	179	187	203	221	239	251	248
180	186	186	186	186	186	186	186	186	186

LUMINANCE IN CANDELA PER SQUARE METER

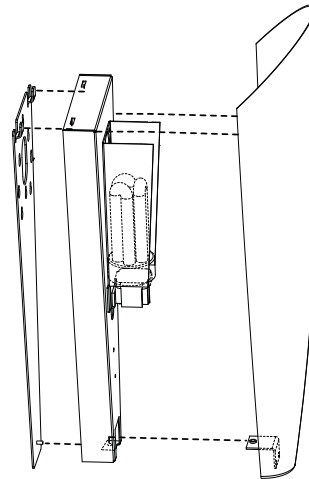
ANGLE in DEG	AVG 0-DEG	AVG 45-DEG	AVG 90-DEG
0	295	295	295
45	0	189	410
55	0	177	511
65	0	173	619
75	0	174	742
85	0	180	766

COEFFICIENTS OF UTILIZATION - ZONAL CAVITY METHOD

EFFECTIVE FLOOR CAVITY REFLECTANCE 0.20

RC	80			70			50			30			10			0		
RW	70	50	30	10	70	50	30	10	50	30	10	50	30	10	50	30	10	
0	14	14	14	14	13	13	13	13	9	9	9	6	6	6	4	4	4	3
1	13	12	11	11	11	10	10	9	8	7	7	5	5	5	3	3	3	2
2	11	10	9	8	10	9	8	7	7	6	6	4	4	4	2	2	2	1
3	10	9	8	7	9	8	7	6	6	5	5	4	3	3	2	2	2	1
4	9	8	7	6	8	7	6	5	5	4	4	3	3	2	2	1	1	1
5	9	7	6	5	7	6	5	4	4	4	3	3	2	2	1	1	1	0
6	8	6	5	4	7	5	4	4	4	3	3	3	2	2	1	1	1	0
7	7	5	4	3	6	5	4	3	3	3	2	2	2	1	1	1	1	0
8	7	5	4	3	6	4	3	3	3	2	2	2	2	1	1	1	1	0
9	6	4	3	3	5	4	3	2	3	2	2	2	1	1	1	1	1	0
10	6	4	3	2	5	4	3	2	3	2	1	2	1	1	1	1	0	0

MOUNTING SYSTEM



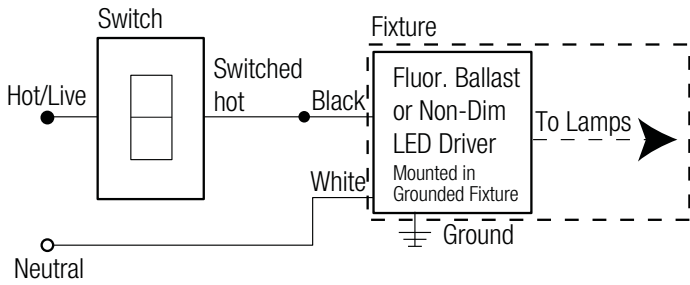
- Top clip and bottom mounting screw for easy attachment of outer shell and lamp replacement.
- ADA compliant



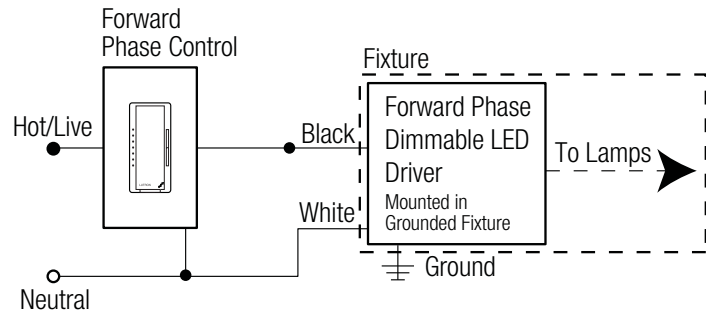
- Direct/Indirect Version

CIRCUIT DIAGRAMS FOR SWITCHING AND FORWARD PHASE CONTROL DIMMING

Wiring Diagram A:

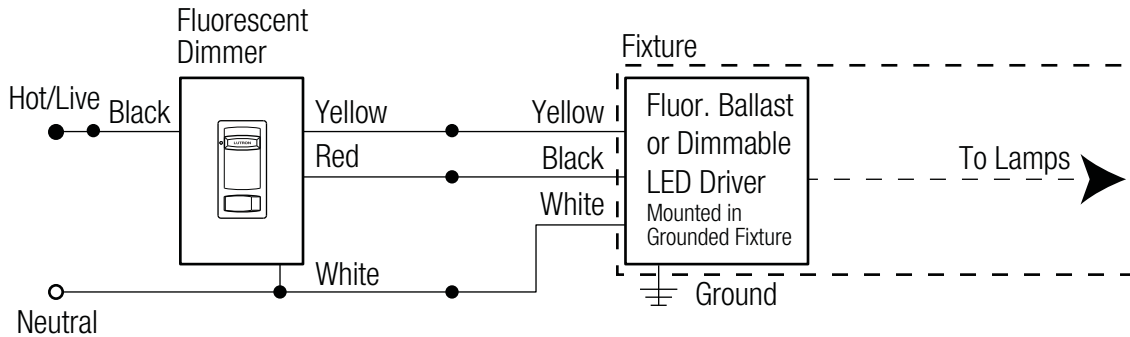


Wiring Diagram B:

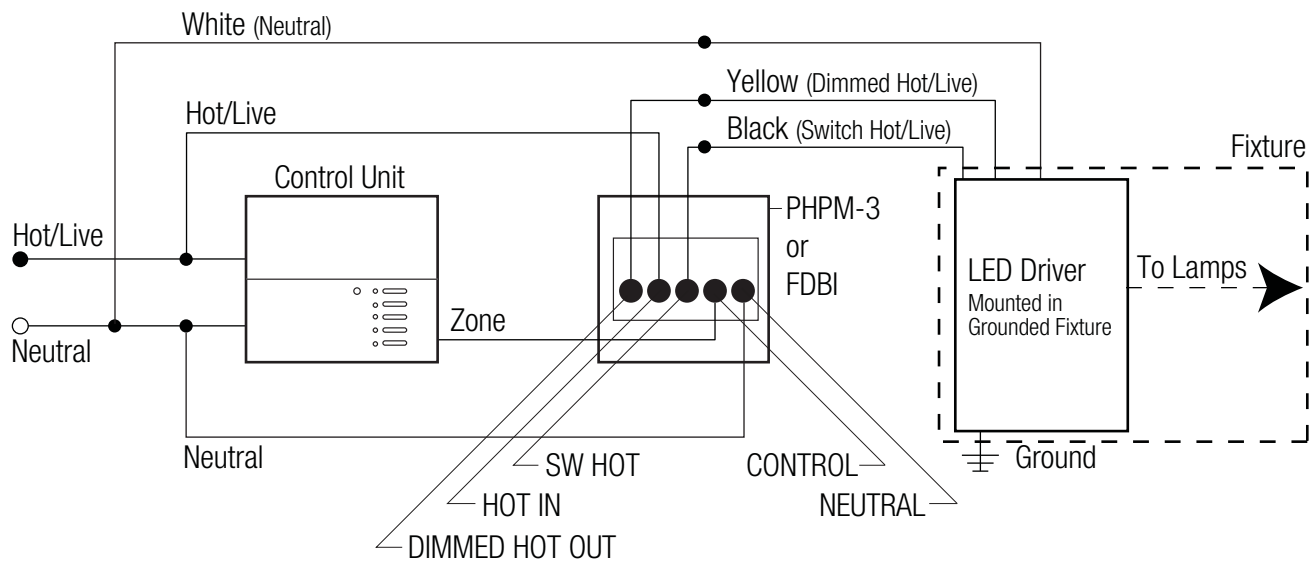


CIRCUIT DIAGRAM FOR 3-WIRE DIMMING

Wiring Diagram C:



Wiring Diagram D:



For list of compatible controls, visit us at www.lutron.com/hilumeLED or contact the LED Control Center of Excellence at 1.877.DIM.LED8



CONTACT. IVALO Lighting Incorporated.
7136 Suter Road, Coopersburg, PA 18036
Telephone 610.282.7472 Fax 610.282.7600
info@ivalolighting.com

IVALO, IVALO Lighting, and Aliante are registered trademarks and Ivalo Collection is a trademark of IVALO Lighting, Inc.

©2012 Lutron Electronics Co., Inc.



For full 1-year warranty details, see www.ivalolighting.com

P/N 367-2211b 02/2012

specification subject to change without notice