

**APPLICATIONS**

An indirect sculptural luminaire for applications that require a 27" wall mounted ADA compliant decorative sconce such as: Building, elevator, and office lobbies, hallways, stairwells, reception areas, executive offices, entry halls, theaters, and flanking doorways, windows, artwork, and fireplaces.

**PRINCIPAL FEATURES**

**FIXTURE SHELL:** Constructed using stamped aluminum.

**LAMP:** One 26, 32, 42 Watt compact fluorescent lamp or 35/39 Watt HID (not included).

**SOCKETS:** Twist-lock for compact fluorescent lamp configuration.

**CONTROLS:** LUTRON® 5% 3-wire dimming for 42 Watt compact fluorescent (CFL) 120 - 277 V~. Non-dimming for 42 Watt CFL, 35/39 Watt HID, 12 Watt LED 120 - 277 V~.

**MOUNTING:** Aluminum wall mounting system with multiple mounting holes for easy installation. Standard plate is painted white but can be painted to match housing shell. ADA compliant. Designed to protrude less than 4" from wall. For wall mounting only.

**JUNCTION BOX:** 4 in. octagonal supplied by others.

**WEIGHT:** 5 lbs (2.3 kg)

**ADA COMPLIANT:** Designed to protrude less than 4" from the wall.

Technical documents available at [www.ivaloighting.com](http://www.ivaloighting.com).

### ORDERING GUIDES

**Included in standard fixture:** Mounting system, fixture shell, diffuser and ballast.

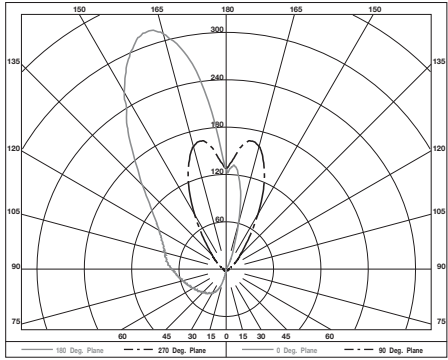
### BASE UNIT CONFIGURATION GUIDE

Select appropriate code in each column to complete model number.

Example:

A	N	N	27	—	—	—	W	—	—	WH	—	
Family	Type	Light Orientation	Fixture Length	Number of Lamps	Lamp Type	Voltage	Suspension	Control Option	Region	Chassis Color	Fixture Shell Color	
<b>FA</b>	<b>TYP</b>	<b>IDFL</b>	<b>LEN</b>	<b>#L</b>	<b>LAMP</b>	<b>VOL</b>	<b>SUSP</b>	<b>CON</b>	<b>REG</b>	<b>CCO</b>	<b>FSCO</b>	
A Aliante	N Interior	N Indirect No Lens	27 27" Long	1 One Lamp	26 26 W Compact Fluorescent	2 120 V~	W Wall Mounting	1 1% Dimming (26, 32 W CFL, LED)	U UL- North America	WH White	GG • Gloss Graphite	MG • Matte Graphite
				L Mult. LEDs	32 32 W Compact Fluorescent	4 220/240 V~ (Non CE)		5 5% Dimming (42 W CFL only)	I Inter- national		GS • Gloss Slate	MS • Matte Slate
					42 42 W Compact Fluorescent	7 277 V~		N Non Dimming			GT • Gloss Titanium	MT • Matte Titanium
					H9 35/39 W Metal Halide (non- dim only)			D 1% Dimming 2-wire (LED only)			AN Anodized Clear	AB Anodized Black
					NL Neutral White LED						GC Gloss Copper	MC Matte Copper
<p>Custom control options and colors are available. Please contact Ivalo customer service for more information on customization options.</p>												
											GF Gloss Flame	MF Matte Flame
											GP Gloss Pearl White	MP Matte Pearl White
											GL Gloss Lapis	ML Matte Lapis
											GE Gloss Ebony	ME Matte Ebony
											GA Gloss Arctic White	MA Matte Arctic White
											PS Silver	PM Metallic Silver
											PB Bronze	

**KEY:**  
• = Standard color options  
(others are special order)



**INDIRECT  
CANDELA PLOT**

**PHOTOMETRIC DATA**

	Total Luminaire Efficiency 12%	
Direct/Indirect		
Spacing Criterion Lateral Plane	0° 0.8	90° 3.5
Total Lamp Lumens	3200	
Input watts	49.8 W at 120 V~	

**CANDELA DISTRIBUTION**

FLUX

	0.0	22.5	45.0	67.5	90.0	112.5	135.0	157.5	180.0
0	0	0	0	0	0	0	0	0	0
5	0	0	0	0	0	0	0	0	0
15	0	0	0	0	0	2	4	14	16
25	0	0	0	0	1	3	8	26	32
35	0	0	0	0	2	3	9	33	37
45	0	0	0	0	3	4	11	35	42
55	0	0	0	0	3	5	13	37	45
65	0	0	0	0	3	6	16	40	51
75	0	0	0	0	3	7	22	44	57
85	0	0	0	0	3	10	28	52	64
90	0	0	0	0	4	12	31	56	69
95	0	0	0	0	4	13	34	59	74
105	0	0	0	0	6	19	42	67	82
115	0	0	0	1	8	26	51	76	90
125	0	0	0	3	14	41	68	94	110
135	0	0	0	7	26	75	105	132	151
145	0	0	6	17	54	124	154	193	218
155	14	17	23	48	112	168	207	257	294
165	59	75	93	126	161	199	238	284	309
175	130	130	135	139	146	163	184	203	196
180	130	130	130	130	130	130	130	130	130

**LUMINANCE IN CANDELA PER SQUARE METER**

ANGLE in DEG	AVG 0-DEG	AVG 45-DEG	AVG 90-DEG
0	0	0	0
45	0	0	228
55	0	0	204
65	0	0	191
75	0	0	185
85	0	0	185

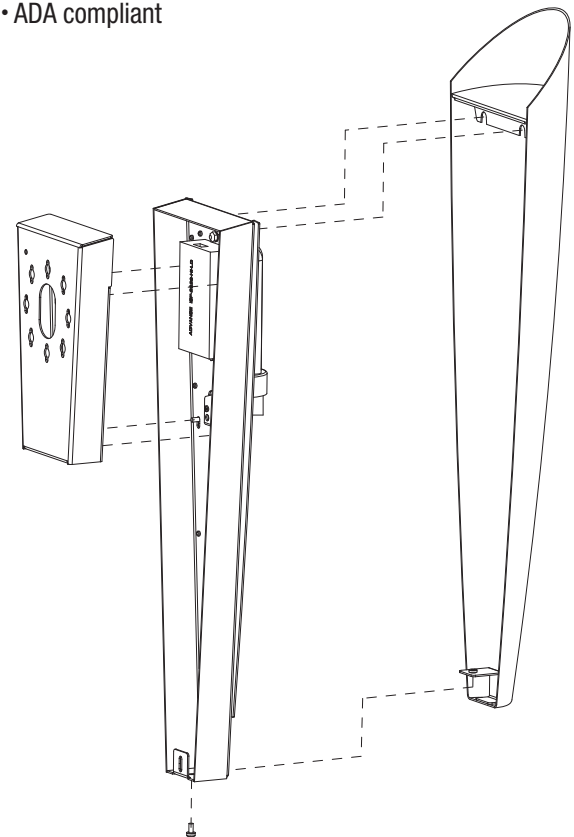
**COEFFICIENTS OF UTILIZATION - ZONAL CAVITY METHOD**

EFFECTIVE FLOOR CAVITY REFLECTANCE 0.20

RC	80			70			50			30			10			0		
RW	70	50	30	10	70	50	30	10	50	30	10	50	30	10	50	30	10	
0	12	12	12	12	10	10	10	10	8	8	8	5	5	5	3	3	3	2
1	10	10	9	9	9	9	8	8	6	6	6	4	4	4	2	2	2	1
2	9	8	8	7	8	7	7	6	5	5	5	4	3	3	2	2	2	1
3	9	7	6	6	7	6	6	5	5	4	4	3	3	3	2	1	1	1
4	8	6	6	5	7	6	5	4	4	4	3	3	2	2	1	1	1	1
5	7	6	5	4	6	5	4	4	4	3	3	2	2	2	1	1	1	0
6	6	5	4	3	6	4	4	3	3	3	2	2	2	1	1	1	1	0
7	6	5	4	3	5	4	3	3	3	2	2	2	2	1	1	1	1	0
8	6	4	3	3	5	4	3	2	3	2	2	2	1	1	1	1	1	0
9	5	4	3	2	4	3	2	2	2	2	1	2	1	1	1	1	0	0
10	5	3	2	2	4	3	2	2	2	2	1	1	1	1	1	0	0	0

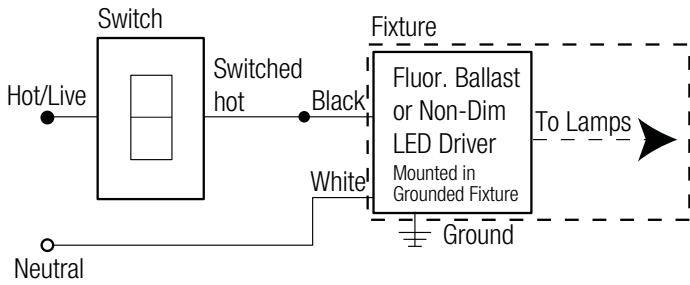
**MOUNTING SYSTEM**

- Top clip and bottom mounting screw for easy attachment of outer shell and lamp replacement.
- ADA compliant

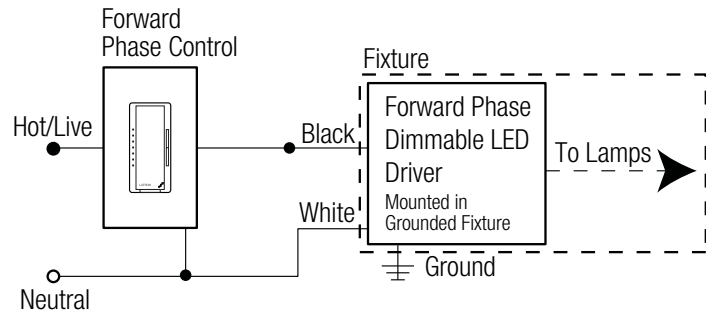


**CIRCUIT DIAGRAMS FOR SWITCHING AND FORWARD PHASE CONTROL DIMMING**

Wiring Diagram A:

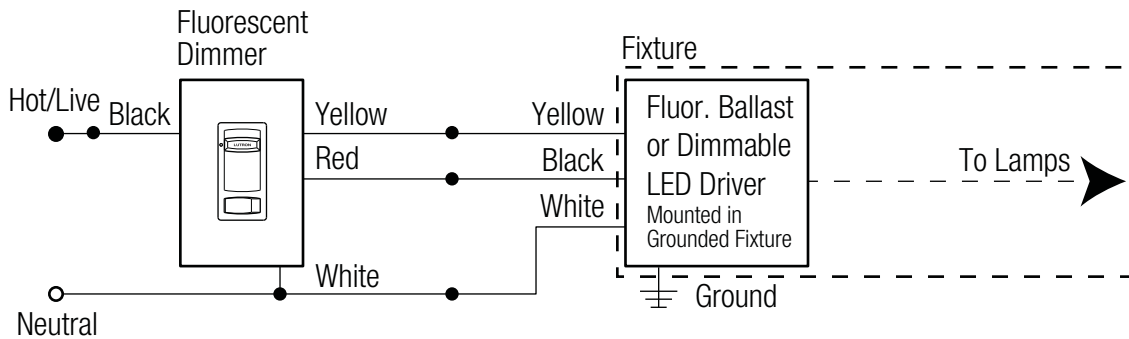


Wiring Diagram B:

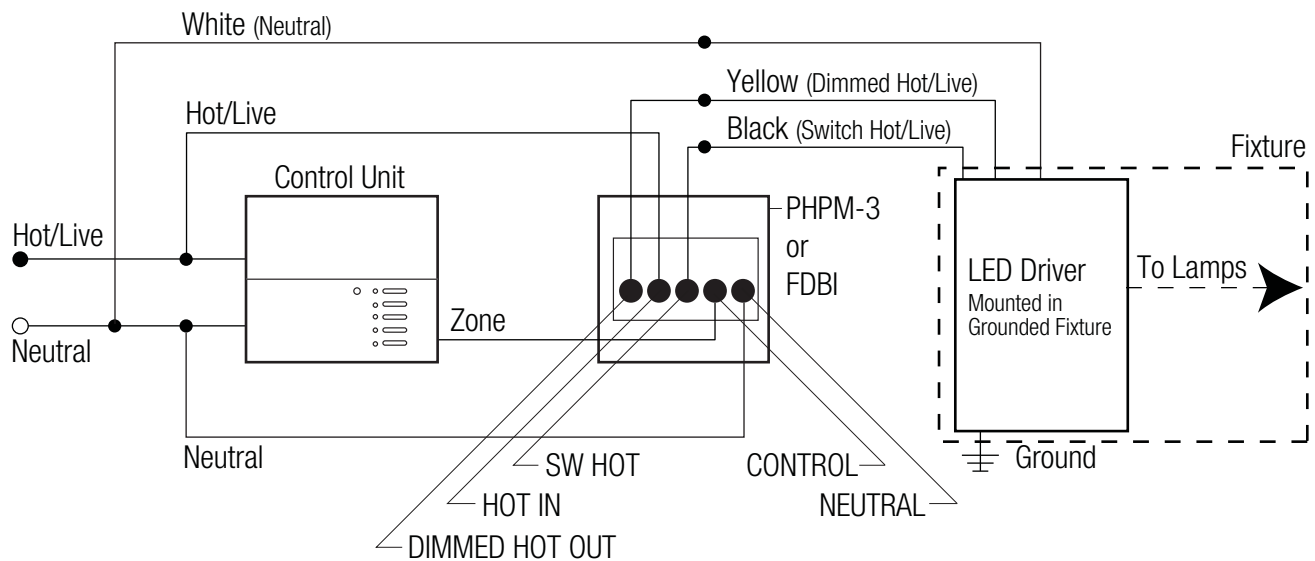


**CIRCUIT DIAGRAM FOR 3-WIRE DIMMING**

Wiring Diagram C:



Wiring Diagram D:



For list of compatible controls, visit us at [www.lutron.com/hilumeLED](http://www.lutron.com/hilumeLED) or contact the LED Control Center of Excellence at 1.877.DIM.LED8



CONTACT. IVALO Lighting Incorporated.  
7136 Suter Road, Coopersburg, PA 18036  
Telephone 610.282.7472 Fax 610.282.7600  
[info@ivalolighting.com](mailto:info@ivalolighting.com)

For full 1-year warranty details, see [www.ivalolighting.com](http://www.ivalolighting.com)

P/N 367-2212b 02/2012

specification subject to change without notice

IVALO, IVALO Lighting, and Aliante are registered trademarks and Ivalo Collection is a trademark of IVALO Lighting, Inc.

©2012 Lutron Electronics Co., Inc.