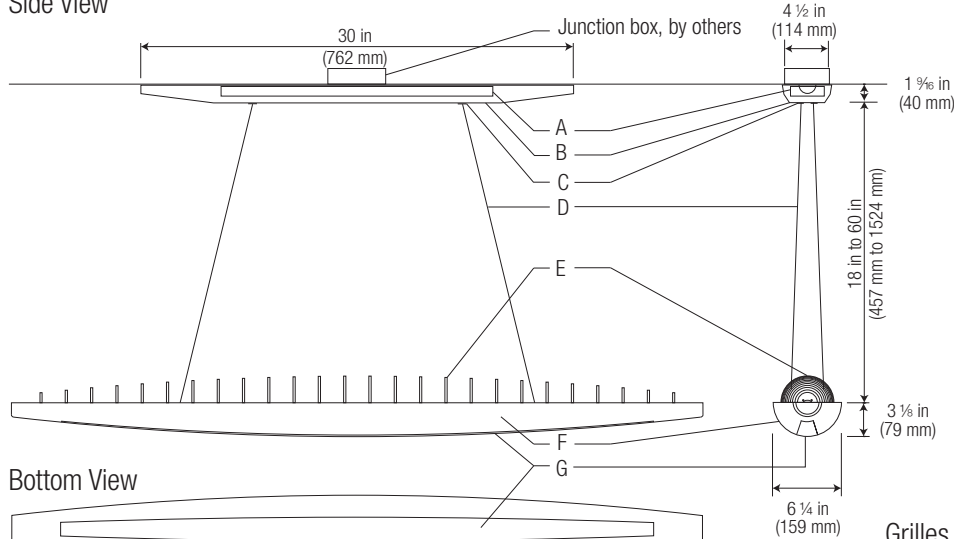


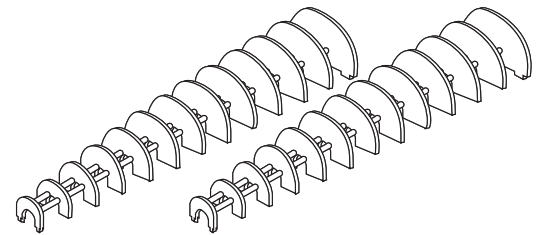
Side View



- A Mounting Chassis
- B Aluminum Canopy
- C Black Plastic Grommet
- D Power and Support Cables
- E Grille (option kit)
- F Aluminum Shell
- G Lens (Direct/Indirect only)
- H T5 Lamp
- I Tension Rods and Spacers
- J Cable Attachment Point
- K Reflector

* Pole versions available.

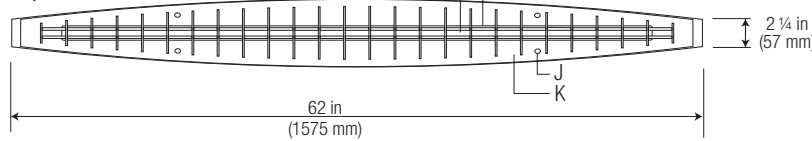
Grilles with Polycarbonate Disks (sold separately)



Bottom View



Top View



APPLICATIONS

A direct/indirect or indirect sculptural luminaire for applications that require an architectural element and lighting performance such as:

COMMERCIAL: Boardroom, videoconferencing room, executive office and dining room, reception areas, bar area, cash register areas, art space.

RESIDENTIAL: Kitchen island (not for use over cook top or grill); kitchen table; dining room; home office; wet bar.

SPECIFICATIONS

JUNCTION BOX: 4 in (102 mm) octagonal or round junction box supplied by others. **Requires fixture brace for suspended ceilings.**

WEIGHT: Cable version – 14 lb (6.4 kg)

DECIBEL RATING: Quiet in a 25 dB room.

THD: <15%

POWER FACTOR: >0.95

PRINCIPAL FEATURES

CANOPY AND FIXTURE SHELL: Constructed using stamped aluminum.

SUSPENSION: Streamlined cable system that integrates an insulated current-carrying wire with exterior braided stainless steel sheath. UL approved. Adjustable for up to a 12 ft (366 cm) or 16 ft (488 cm) high ceiling. Longer lengths available upon request. Pole versions also available.

LENS (DIRECT/INDIRECT ONLY): Translucent acrylic.

GRILLE OPTION KIT: Includes clear or frosted polycarbonate disks coated with a silicone hardcoat and tension rods with spacers. Order this kit separately from the main unit.

INNER REFLECTOR: Mirrored aluminum.

LAMP: One or Two 80 Watt T5 High Output (HO) or 35 W T5 high efficiency (HE) fluorescent lamp (not included).

SOCKETS: Twist-lock installation.

CONTROLS: Lutron® 10% 3-wire dimming for 35 W T5HE 120 – 277 V~; 1% 80 W for T5HO 120 – 277 V~, Non-dimming only for 347 V~ ballasts.

MOUNTING: Chassis mounting system for easy installation.

Technical documents available at www.lutron.com/lvalo

ORDERING GUIDES

Included in standard fixture: Canopy, mounting chassis, fixture shell, poles or cables, lens, dust cover and ballast.

BASE UNIT CONFIGURATION GUIDE

Select appropriate code in each column to complete model number.

Example:

A P _____ 60 _____

FAMILY	TYPE	LIGHT ORIENTATION	LENGTH	# of LAMPS	LAMP TYPES	VOLTAGE	SUSPENSION	CONTROL OPTION	REGION	CHASSIS FINISH		SHELL FINISH		
										GT •	MT •	GT •	MT •	
A Aliante®	P Pendant	D Direct/Indirect Frosted Lens	60 60" Long	1 One Lamp	3F 35 W T5HE High Efficiency Lamp ¹	2 120 V~	2 Cables up to 12' Ceiling	N Non-dimming	U UL-North America	GT • Gloss Titanium	MT • Matte Titanium	GT • Gloss Titanium	MT • Matte Titanium	
		N Indirect No Lens		2 Two Lamp	8F 80 W T5HO High Output Lamp	3 347 V~ Non-Dim (Canada only) ²	6 Cables up to 16' Ceiling	3 1% Dimming 3-wire ¹		I International	GS • Gloss Slate	MS • Matte Slate	GS • Gloss Slate	MS • Matte Slate
		4 220 V~/ 240 V~		P Poles up to 12' ceiling	E 1% Dimming EcoSystem®	GG • Gloss Graphite	MG • Matte Graphite	GG • Gloss Graphite		MG • Matte Graphite				
					7 277 V~				GF Gloss Flame	MF Matte Flame	GF Gloss Flame	MF Matte Flame		
										GC Gloss Copper	MC Matte Copper	GC Gloss Copper	MC Matte Copper	
										GP Gloss Pearl White	MP Matte Pearl White	GP Gloss Pearl White	MP Matte Pearl White	
										GL Gloss Lapis	ML Matte Lapis	GL Gloss Lapis	ML Matte Lapis	
										GE Gloss Ebony	ME Matte Ebony	GE Gloss Ebony	ME Matte Ebony	
										GA Gloss Arctic White	MA Matte Arctic White	GA Gloss Arctic White	MA Matte Arctic White	
										AB Anodized Black	AN Anodized Clear	AB Anodized Black	AN Anodized Clear	
										PS Silver	PM Metallic Silver	PS Silver	PM Metallic Silver	
										PB Bronze		PB Bronze		

¹ 35 W option is 10% dimming.
² The 347 V~ is non-dimming only.

– Custom suspension lengths, control options and colors are available. Please contact Ivalo® customer service at fixtures@lutron.com for more information about custom options.
– Matte paint finishes are recommended for pendant canopies to minimize lamp glare.

GRILLE OPTION KIT

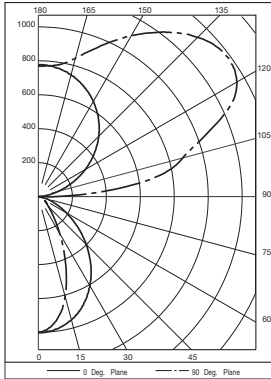
Order separately from the base unit.

Example:

A P G 60 _____

FAMILY	TYPE	ORIENTATION	LENGTH	FINISH
A Aliante®	P Pendant	G Grille	60 60" Long	CLR Clear
				FRO Frosted

KEY:
• = Standard color options (others are special order)



**INDIRECT/DIRECT
CANDELA PLOT
NO GRILLE**

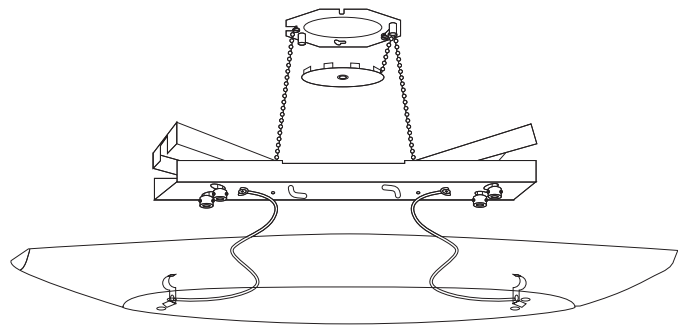
PHOTOMETRIC DATA (80 W T5HO)

	Total Luminaire Efficiency	% Uplight	% Downlight
No Grille	94%	82%	18%
Spacing Criterion Lateral Plane	0° 1.1	90° 0.7	
Total Lamp Lumens 7000			
Input watts	95.3 W at 120 V~		

CANDELA DISTRIBUTION

FLUX

	0.0	22.5	45.0	67.5	90.0	
0	800	800	800	800	800	
5	796	794	785	775	775	74
15	751	728	678	628	608	190
25	665	609	486	387	358	229
35	541	447	287	197	172	202
45	398	279	147	97	87	148
55	255	151	79	56	51	99
65	132	76	43	35	32	59
75	53	33	23	19	19	30
85	10	9	9	9	7	16
90	2	31	67	92	101	
95	22	240	359	403	414	324
105	124	515	727	830	881	681
115	252	602	997	1194	1239	869
125	383	647	1037	1299	1383	864
135	502	675	997	1239	1327	740
145	603	698	925	1111	1179	570
155	685	724	847	961	1005	391
165	744	752	786	828	845	225
175	774	772	774	776	774	74
180	771	771	771	771	771	



PROPRIETARY MOUNTING SYSTEM

- Easy mounting to the junction box; **be sure to cut the hole in the suspended ceiling tile or drywall tightly around the junction box.**
- Wiring is done after mounting.
- Allows a large canopy structure to meet wiring codes.

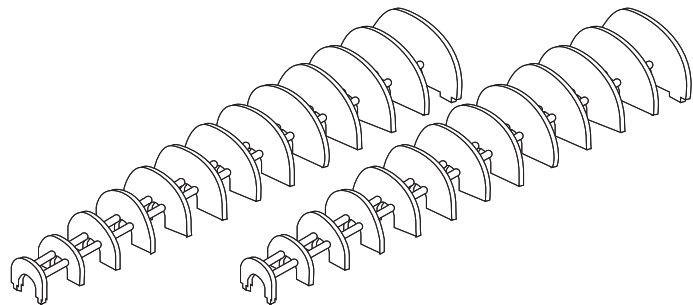
LUMINANCE IN CANDELA PER SQUARE METER

ANGLE IN DEG	AVERAGE 0-DEG	AVERAGE 45-DEG	AVERAGE 90-DEG
0	12656.	12656.	12656.
45	8905.	3289.	1946.
55	7033.	2179.	1407.
65	4941.	1610.	1198.
75	3240.	1406.	1161.
85	1815.	1865.	1123.

COEFFICIENTS OF UTILIZATION - ZONAL CAVITY METHOD

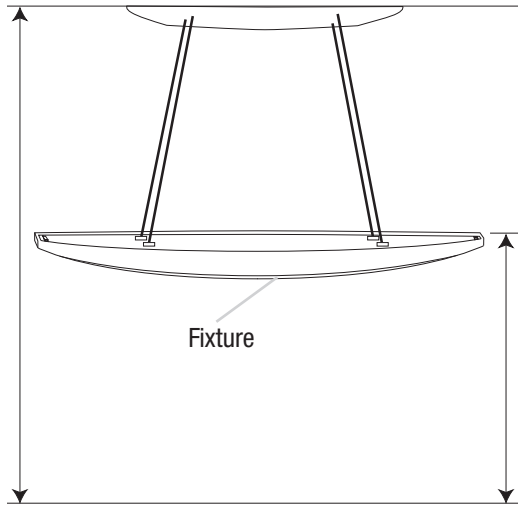
EFFECTIVE FLOOR CAVITY REFLECTANCE 0.20

RC	80				70				50				30				
RW	70	50	30	10	70	50	30	10	50	30	10	50	30	10	50	30	10
0	93	93	93	93	82	82	82	82	62	62	62	43	43	43			
1	86	82	79	76	75	72	70	67	54	53	51	38	37	36			
2	78	72	67	63	69	64	60	56	48	46	43	34	32	31			
3	72	64	58	53	63	57	51	47	43	40	37	31	29	27			
4	66	57	50	45	58	50	45	40	39	35	32	28	25	23			
5	60	51	44	39	53	45	39	35	35	31	28	25	22	20			
6	56	45	38	33	49	40	35	30	31	27	24	23	20	18			
7	51	41	34	29	45	37	31	27	28	24	21	21	18	16			
8	48	37	30	26	42	33	27	23	26	22	19	19	16	14			
9	44	34	27	23	39	30	25	21	23	19	17	17	15	13			
10	41	31	24	20	36	28	22	18	21	18	15	16	13	11			



GRILLES WITH POLYCARBONATE DISKS

- Clear or frosted polycarbonate disks coated with a silicone hard coat.
- Order this kit separately from the main unit.
- Only available for one lamp fixtures.



Top edge of fixture should be 6 ft 8 in (2032 mm) or higher to avoid seeing the lamp from a standing position.

Fixture Height: 6 ft 8 in to 7 ft 2 in
(2032 mm to 2184 mm)

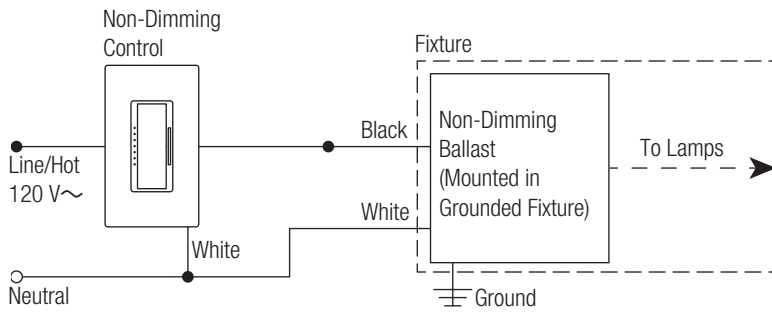
This is a suggested height and for aesthetic appearances the lamp can be hung higher or lower.

Ceiling Height: 8 ft to 12 ft
(2438 mm to 3658 mm)

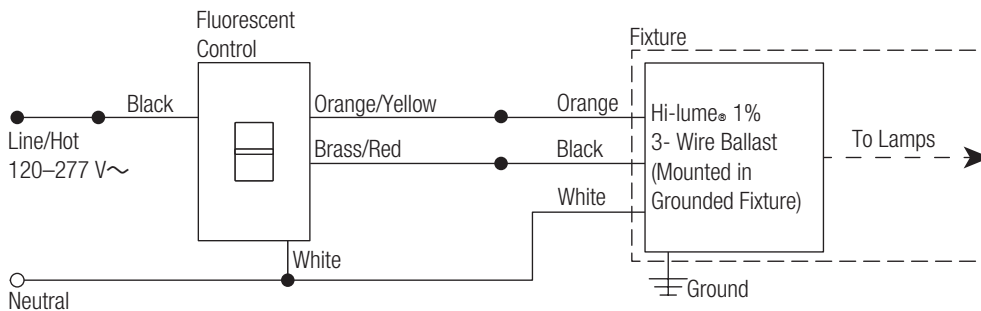
Ceiling Height	Suspension Code	Adjustable Cable Length
Up to 12 ft (366 cm)	2	1.5 ft – 5 ft (46 cm – 152 cm)
12 ft – 16 ft (366 cm – 488 cm)	6	1.5 ft – 9 ft (46 cm – 274 cm)
Above 16 ft (488 cm)	Call factory	Call factory

CIRCUIT DIAGRAMS

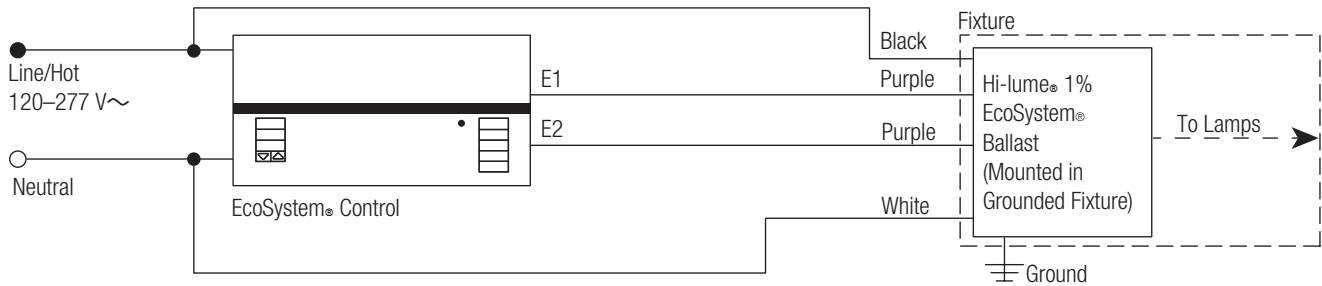
NON-DIMMING (120–277 V~)



3-WIRE CONTROL (120–277 V~)



EcoSystem® DIGITAL CONTROL (120–277 V~)



- For best lighting performance, the low-end level may need to be trimmed.
 - For Maestro® controls - please see Lutron® Application Note #370 (P/N 048370) for more details
 - For all other controls - please see the product instruction sheet or visit www.lutron.com
- Contact Fixtures Customer Service at fixtures@lutron.com for custom mounting options.
- For a list of compatible controls and control ratings, visit www.lutron.com/ivalo or contact the LED Control Center of Excellence at 1.877.DIM.LED8



DRY LOCATIONS ONLY.

Lutron, Lutron, IVALO, IVALO Lighting (registered in the U.S. only), Hi-lume, EcoSystem, and Aliante are registered trademarks and Lutron Ivalo Collection is a trademark of Lutron Electronics Co., Inc.

©2012-2016 Lutron Electronics Co., Inc.

Lutron Electronics Co., Inc.
7200 Suter Road, Coopersburg, PA 18036
Telephone 610.282.7472 Fax 610.282.7600
fixtures@lutron.com

For warranty details, see
www.lutron.com/TechnicalDocumentLibrary/3683454.pdf

Specification subject to change without notice