

- A - Aluminum Shell
- B - Hinge (2)
- C - Locking Screw (2)
- D - Mounting Hole (4)
- E - Mounting Bracket (chassis)
- F - Lens (direct/indirect)
- G - Fluorescent Lamp
- H - Junction box (by others)

APPLICATIONS

A direct/indirect or indirect sculptural luminaire for applications that require an ADA compliant 4 ft (122 cm) wall mounted decorative sconce that can be mounted vertically, horizontally, or at an angle, such as:

COMMERCIAL: Building, elevator, and office lobbies, hallways, stairwells, reception areas, executive offices, and flanking or crowning doorways.

RESIDENTIAL: Entry halls, stairwells, flanking or crowning doorways.

SPECIFICATIONS

JUNCTION BOX: 4 in (102 mm) octagonal or round junction box supplied by others.

WEIGHT: 11 lb (5 kg)

DECIBEL RATING: Quiet in a 25 dB room.

THD: <15%

POWER FACTOR: >0.95

PRINCIPAL FEATURES

FIXTURE SHELL: Constructed using stamped aluminum.

LENS (Direct/Indirect only): Translucent acrylic.

INNER REFLECTOR: Mirrored aluminum.

LAMP: One 54 Watt T5 High Output (HO) or 28 W T5 High Efficiency (HE) fluorescent lamp (not included).

SOCKETS: Twist-lock installation.

CONTROLS: LUTRON® 1% 3-wire dimming 54 W T5HO, and 28 W T5HE 120 – 277 V~, 347 V~; Non-dimming, T5HO and T5HE 120 – 277 V~, 347 V~ ballasts.

MOUNTING: Stainless steel wall mounting system and paper template for easy installation. Side hinges with captured locking screws for easy lamp replacement. For wall mounting only.

ADA COMPLIANT: Designed to protrude less than 4 in (102 mm) from the wall.

COMPATIBLE CONTROLS

For a list of compatible controls and technical documents, visit www.lutron.com/ivalo

ORDERING GUIDES

Included in standard fixture: Mounting system, fixture shell, lens (direct/indirect only), and ballast.

BASE UNIT CONFIGURATION GUIDE

Select appropriate code in each column to complete model number.

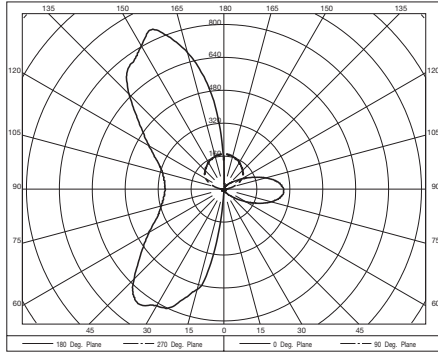
Example:

A N _ 48 1 _ _ W _ _ PS _

FAMILY	TYPE	LIGHT ORIENTATION	LENGTH	# of LAMPS	LAMP TYPES	VOLTAGE	SUSPENSION	CONTROL OPTION	REGION	CHASSIS FINISH	SHELL FINISH		
A Aliante®	N Interior	D Direct/Indirect	48 48" Long	1 One Lamp	5F 54 W T5HO High Output	2 120 V~	W Wall Mounting	N Non Dimming	U UL-North America	PS Silver	GT • Gloss Titanium	MT • Matte Titanium	
		N Indirect No Lens			2F 28 W T5HE High Efficiency	3 347 V~ (Canada only)		3 1% Dimming 3-wire¹			I Inter-national	GS • Gloss Slate	MS • Matte Slate
					4 220 – 240 V~	E 1% Dimming EcoSystem®		GG • Gloss Graphite			MG • Matte Graphite		
					7 277 V~	GF Gloss Flame		MF Matte Flame					
										GC Gloss Copper	MC Matte Copper		
											GP Gloss Pearl White	MP Matte Pearl White	
											GL Gloss Lapis	ML Matte Lapis	
											GE Gloss Ebony	ME Matte Ebony	
											GA Gloss Arctic White	MA Matte Arctic White	
											AN Anodized Clear	AB Anodized Black	
											PS Silver	PM Metallic Silver	
											PB Bronze		

– Custom control options and colors are available. Please contact Ivalo customer service at fixtures@lutron.com for more information about custom options.

KEY:
• = Standard color options (others are special order)



**INDIRECT/DIRECT
CANDELA PLOT**

PHOTOMETRIC DATA (54 W T5H0)

	Total Luminaire Efficiency 65%	
Direct/Indirect		
Spacing Criterion Lateral Plane	0° 1.2	90° 0.6
Total Lamp Lumens	4400	
Input watts	60 W at 120 V~	

Note: Photometrics done in open space in accordance with IES standards. Results will vary significantly with wall characteristics

CANDELA DISTRIBUTION

FLUX

	0.0	22.5	45.0	67.5	90.0	112.5	135.0	157.5	180.0	
0	9	9	9	9	9	9	9	9	9	
5	12	12	14	15	12	22	64	109	109	6
15	11	11	11	12	11	167	402	494	505	48
25	17	17	14	11	9	340	511	607	637	106
35	25	24	16	11	8	399	571	648	690	159
45	46	39	26	14	9	393	565	615	618	193
55	91	74	42	18	10	357	467	470	477	193
65	159	129	69	25	8	282	330	360	370	183
75	238	192	98	33	8	164	237	295	315	172
85	289	230	120	36	6	96	199	267	291	169
90	290	233	121	39	8	69	179	262	285	
95	275	221	118	40	17	99	192	263	289	169
105	211	167	91	33	49	169	229	283	310	171
115	131	103	62	27	85	307	324	351	374	188
125	71	58	36	20	114	448	480	465	479	214
135	40	35	25	17	128	550	625	646	652	228
145	24	20	17	17	143	563	737	741	762	207
155	15	14	13	27	155	524	724	830	852	156
165	11	14	22	32	165	427	589	676	686	81
175	26	30	46	92	170	265	342	385	362	20
180	158	158	158	158	158	158	158	158	158	

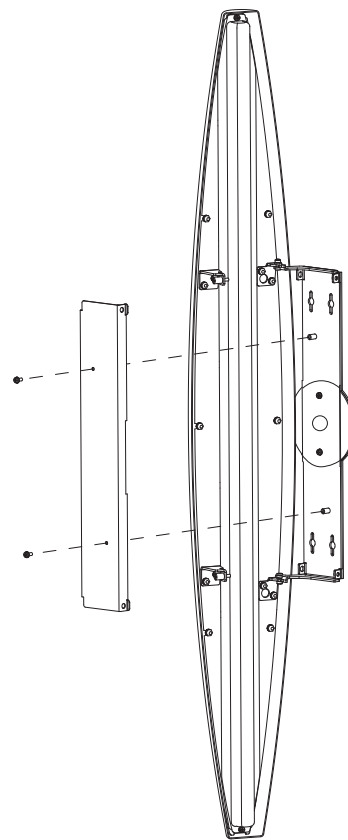
LUMINANCE IN CANDELA PER SQUARE METER

ANGLE in DEG	AVG 0-DEG	AVG 45-DEG	AVG 90-DEG
0	247	247	247
45	820	543	337
55	1622	901	454
65	2925	1574	480
75	4671	2464	741
85	6282	3481	1303

COEFFICIENTS OF UTILIZATION -ZONAL CAVITY METHOD

EFFECTIVE FLOOR CAVITY REFLECTANCE 0.20

RC	80		70		50		30		10		0							
RW	70	50	30	10	70	50	30	10	50	30	10	50	30	10				
0	64	64	64	64	59	59	59	59	49	49	49	40	40	40	32	32	32	28
1	57	54	51	48	52	49	47	44	41	39	37	33	32	30	26	25	24	20
2	51	46	42	38	47	42	38	35	35	32	29	28	26	24	22	20	19	16
3	46	40	35	31	42	37	32	29	30	27	24	24	22	20	19	17	15	13
4	42	35	30	26	38	32	27	24	26	23	20	21	18	16	16	14	13	10
5	38	31	25	21	35	28	23	20	23	19	17	19	16	13	14	12	10	8
6	35	27	22	18	32	25	20	17	20	17	14	16	14	11	13	10	9	7
7	32	24	19	15	29	22	17	14	18	15	12	15	12	10	11	9	7	6
8	30	22	17	13	27	20	15	12	16	13	10	13	10	8	10	8	6	5
9	27	19	14	11	25	18	13	10	15	11	9	12	9	7	9	7	5	4
10	25	17	13	10	23	16	12	9	13	10	7	11	8	6	8	6	4	3

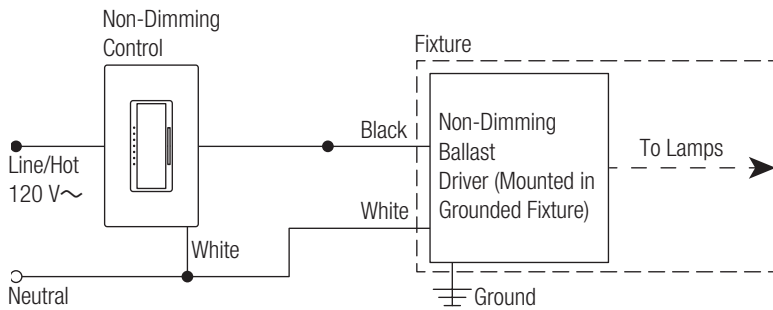


MOUNTING SYSTEM

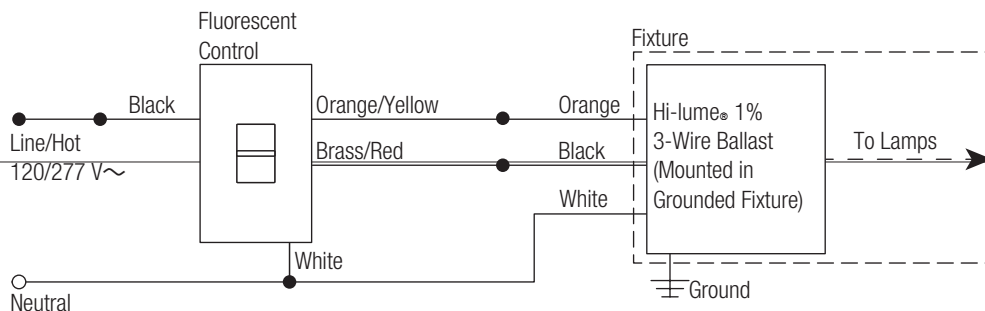
- Easy mounting to the wall and template with hole guide
- Only assembly required is to attach screw on mounting system cover
- Hinged opening for easy lamp replacement
- Captured locking screws hold the unit closed
- Low profile to allow the sconce to be ADA compliant.

CIRCUIT DIAGRAMS

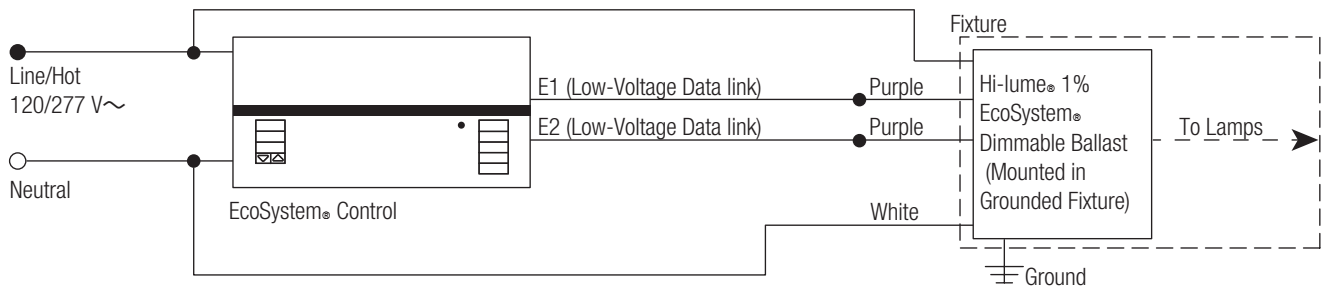
NON-DIMMING (120–277 V~)



3-WIRE CONTROL (120–277 V~)



EcoSystem® DIGITAL CONTROL (120–277 V~)



- For best lighting performance, the low-end level may need to be trimmed.
- For Maestro® controls - please see Lutron® Application Note #370 (P/N 048370) for more details
- For all other controls - please see the product instruction sheet or visit www.lutron.com
- Contact Fixtures Customer Service at fixtures@lutron.com for custom mounting options.
- For a list of compatible controls and control ratings, visit www.lutron.com/lvalo or contact the LED Control Center of Excellence at 1.877.DIM.LED8



DRY LOCATIONS ONLY.

Lutron Electronics Co., Inc.
7200 Suter Road, Coopersburg, PA 18036
Telephone 610.282.7472 Fax 610.282.7600
fixtures@lutron.com

For warranty details, see
www.lutron.com/TechnicalDocumentLibrary/3683454.pdf

Specification subject to change without notice