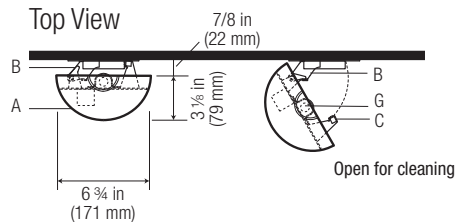
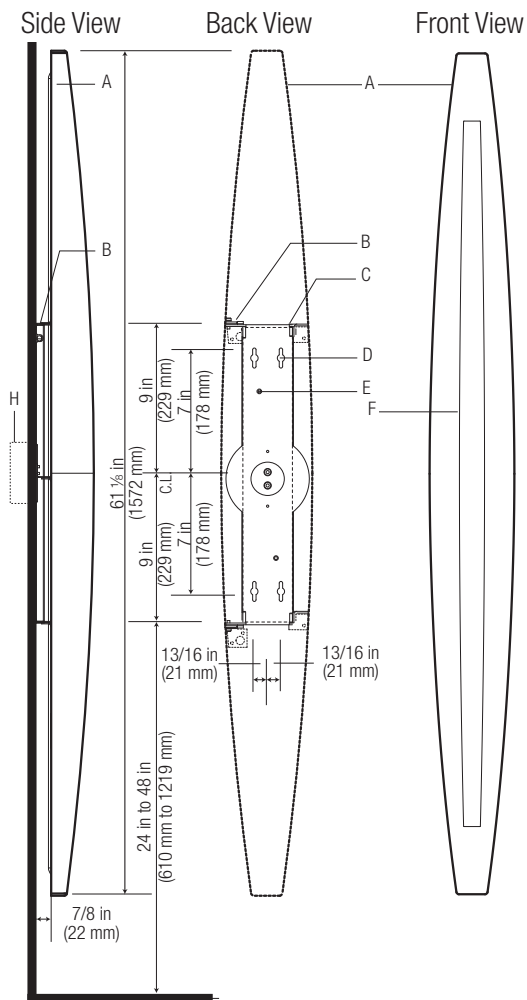


DIMENSIONS



- A - Aluminum Shell
- B - Hinge (2)
- C - Locking Screw (2)
- D - Mounting Holes (4)
- E - Mounting Bracket (chassis)
- F - Lens (direct/indirect)
- G - Fluorescent Lamp
- H - Junction box (by others)

APPLICATIONS

A direct/indirect or indirect sculptural luminaire for applications that require an ADA compliant 5 ft (152 cm) wall mounted decorative sconce that can be mounted vertically, horizontally, or at an angle, such as:

- Building, elevator, and office lobbies, entrances, hallways, stairwells, reception areas, executive offices, and flanking or crowning doorways.

SPECIFICATIONS

JUNCTION BOX: 4 in (102 mm) octagonal or round junction box supplied by others.

WEIGHT: 12.5 lb (5.7 kg)

DECIBEL RATING: Quiet in a 25 dB room.

THD: <15%

POWER FACTOR: >0.95

PRINCIPAL FEATURES

FIXTURE SHELL: Constructed using stamped aluminum.

LENS (direct/indirect only): Translucent Acrylic.

INNER REFLECTOR: Aluminum.

LAMP: One 80 Watt T5 High Output (HO) or 35 Watt T5 High Efficiency (HE) fluorescent lamp (not included).

SOCKETS: Twist-lock installation.

CONTROLS: 10% 3-wire dimming 35 W T5HE 120 – 277 V~; 1% 80 W T5HO 120 – 277 V~; Non-dimming only for 347 V~ ballasts.

MOUNTING: Steel wall mounting system and paper template for easy installation and lamp replacement. Captured locking screws keep unit closed. For wall mounting only.

ADA COMPLIANT: Designed to protrude less than 4" from the wall.

COMPATIBLE CONTROLS

For a list of compatible controls and technical documents, visit www.lutron.com/lvalo

ORDERING GUIDES

Included in standard fixture: Mounting system, lamp base shell, lens (direct/indirect only), and ballast.

BASE UNIT CONFIGURATION GUIDE

Select appropriate code in each column to complete model number.

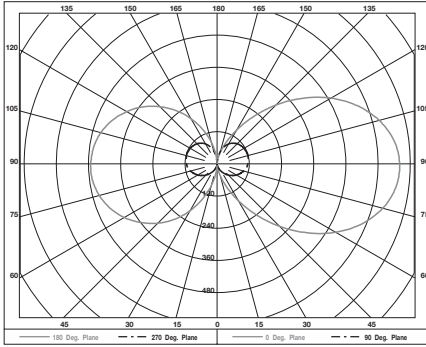
Example:

A N _ 60 1 _ _ W _ _ PS _

Family	Type	Light Orientation	Fixture Length	Number Lamps	Lamp Type	Voltage	Suspension	Control Option	Region	Chassis Color	Fixture Shell Color
FAMILY	TYPE	LIGHT ORIENTATION	LENGTH	# of LAMPS	LAMP TYPES	VOLTAGE	SUSPENSION	CONTROL OPTION	REGION	CCO	FSCO
A Aliante®	N Interior	D Direct/Indirect	60 60" Long	1 One Lamp	8F 80 W T5HO High Output	2 120 V~	W Wall Mounting	N Non Dimming	U UL-North America	PS Silver	GT Gloss Titanium MT Matte Titanium
		N Indirect No Lens			3F 35 W T5HE High Efficiency	3 347 V~ Non-Dim (Canada only)		3 1% Dimming 3-wire ¹	I International		GS Gloss Slate MS Matte Slate
						4 220/240 V~		E 1% Dimming EcoSystem®			GG Gloss Graphite MG Matte Graphite
						7 277 V~					GF Gloss Flame MF Matte Flame
											GC Gloss Copper MC Matte Copper
											GP Gloss Pearl White MP Matte Pearl White
											GL Gloss Lapis ML Matte Lapis
											GE Gloss Ebony ME Matte Ebony
											GA Gloss Arctic White MA Matte Arctic White
											AN Anodized Clear AB Anodized Black
											PS Silver PM Metallic Silver
											PB Bronze

– Custom control options and colors are available. Please contact Ivalo customer service at fixtures@lutron.com for more information on customization options.
– 10% Dimming for 35 W lamp option.

KEY:
• = Standard color options (others are special order)



**INDIRECT/DIRECT
CANDELA PLOT**

PHOTOMETRIC DATA (T5H0)

Direct/Indirect Total Luminaire Efficiency 63%
Total Lamp Lumens 6160
Input watts 80.7 W at 120 V~

Note: Photometrics done in open space in accordance with IES standards. Results will vary significantly with wall characteristics

CANDELA DISTRIBUTION

FLUX

	0.0	22.5	45.0	67.5	90.0	112.5	135.0	157.5	180.0
0	5	5	5	5	5	5	5	5	5
5	13	12	8	5	5	17	22	25	24
15	47	40	22	9	13	104	128	100	85
25	114	80	33	12	26	229	282	198	162
35	211	129	42	12	43	357	440	300	241
45	330	180	46	13	59	476	588	393	313
55	452	225	48	13	75	579	717	473	374
65	561	262	48	13	90	665	821	536	422
75	640	285	48	13	103	724	893	581	455
85	677	294	47	12	112	755	928	605	472
90	681	293	47	12	114	761	932	608	472
95	673	290	47	12	117	757	925	605	468
105	626	271	45	12	118	729	884	582	450
115	542	240	44	11	116	673	808	536	414
125	432	200	42	11	114	594	705	472	364
135	310	154	39	10	105	492	577	391	301
145	195	108	35	10	94	376	431	299	232
155	103	64	27	8	75	247	278	201	157
165	42	30	15	6	50	116	131	106	84
175	9	6	3	2	9	17	22	26	17
180	2	2	2	2	2	2	2	2	2

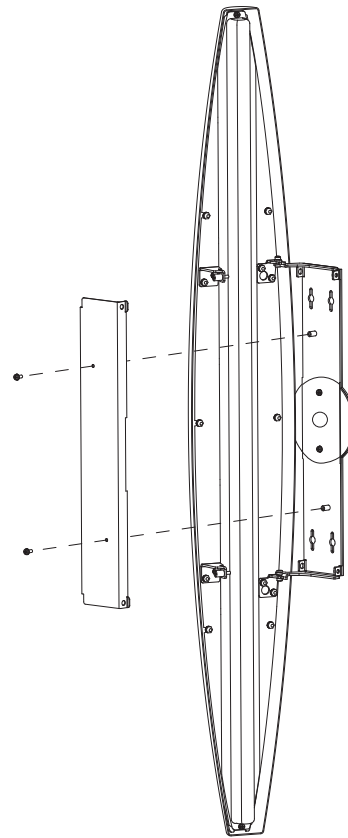
LUMINANCE IN CANDELA PER SQUARE METER

ANGLE in DEG	AVG 0-DEG	AVG 45-DEG	AVG 90-DEG
0	35426	35426	35426
45	7404	1361	18036
55	8865	1242	20192
65	10081	1138	22337
75	10946	1083	24466
85	11391	1044	26316

COEFFICIENTS OF UTILIZATION -ZONAL CAVITY METHOD

EFFECTIVE FLOOR CAVITY REFLECTANCE 0.20

RC	80			70			50			30			10			0	
RW	70	50	30	10	70	50	30	10	50	30	10	50	30	10	50	30	10
0	67	67	67	67	62	62	62	62	52	52	52	43	43	43	35	35	35
1	58	54	50	46	53	49	46	43	41	38	36	33	31	29	26	24	23
2	51	44	39	35	46	41	36	32	33	30	26	24	21	20	18	16	13
3	46	38	32	27	41	35	29	25	28	24	21	22	19	16	17	14	12
4	41	33	27	22	37	30	24	20	24	20	17	19	16	13	14	12	10
5	37	28	22	18	34	26	20	16	21	17	13	16	13	10	12	10	7
6	34	25	19	15	31	23	17	13	18	14	11	14	11	8	11	8	6
7	31	22	16	12	28	20	15	11	16	12	9	13	9	7	9	7	5
8	29	20	14	11	26	18	13	10	15	11	8	11	8	6	8	6	4
9	26	18	13	9	24	16	11	8	13	9	6	10	7	5	8	5	3
10	25	16	11	8	22	15	10	7	12	8	6	9	6	4	7	4	3



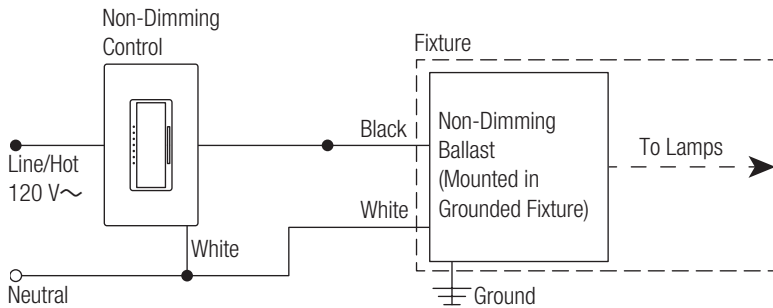
MOUNTING SYSTEM

- Template with hole guide for easy mounting to the wall
- Only assembly required is to attach screw on mounting system cover
- Hinged opening for easy lamp replacement
- Captured locking screws hold the unit closed
- Low profile to allow the sconce to be ADA compliant.

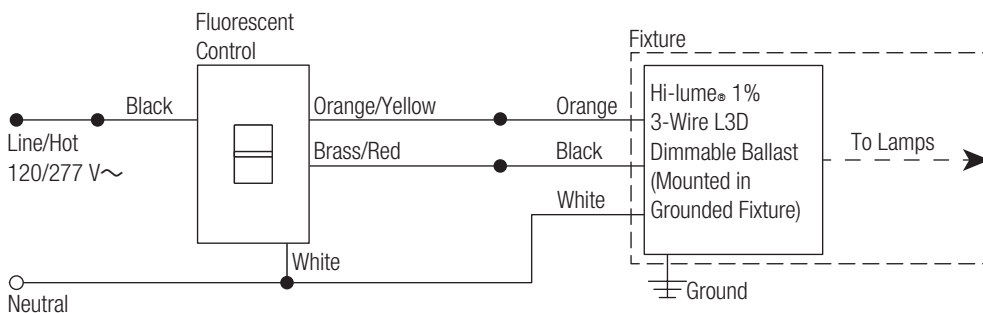
CIRCUIT DIAGRAMS

367-2217c 4 07.13.2016

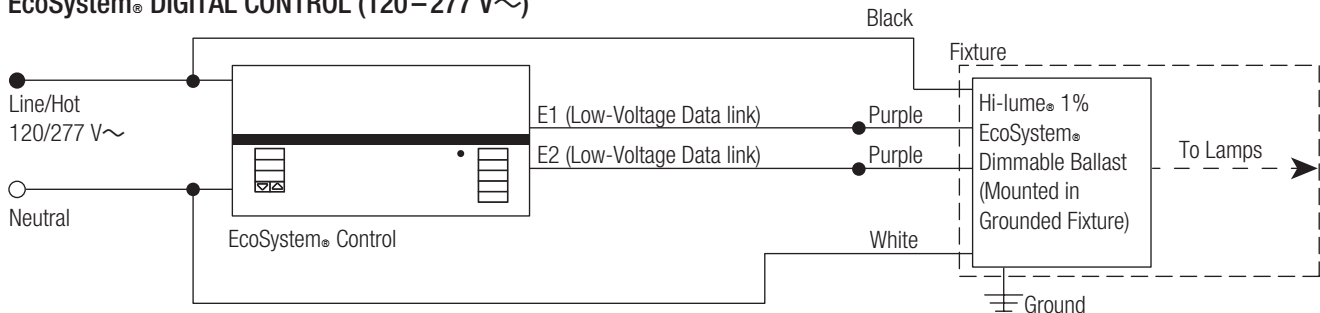
NON-DIMMING (120–277 V~)



3-WIRE CONTROL (120–277 V~)



EcoSystem® DIGITAL CONTROL (120–277 V~)



- For best lighting performance, the low-end level may need to be trimmed.
 - For Maestro® controls - please see Lutron® Application Note #370 (P/N 048370) for more details
 - For all other controls - please see the product instruction sheet or visit www.lutron.com
- Contact Fixtures Customer Service at fixtures@lutron.com for custom mounting options.
- For a list of compatible controls and control ratings, visit www.lutron.com/ivalo or contact the LED Control Center of Excellence at 1.877.DIM.LED8



Lutron Electronics Co., Inc.
7200 Suter Road, Coopersburg, PA 18036
Telephone 610.282.7472 Fax 610.282.7600
fixtures@lutron.com

For warranty details, see
www.lutron.com/TechnicalDocumentLibrary/3683454.pdf
Specification subject to change without notice

☀ Lutron, Lutron, IVALO, IVALO Lighting (registered in the U.S. only), and Aliante are registered trademarks and Lutron Ivalo Collection is a trademark of Lutron Electronics Co., Inc.
©2012-2016 Lutron Electronics Co., Inc.