

- A - Steel Shell
- B - Hinge (2)
- C - Locking Screw (2)
- D - Mounting Hole (4)
- E - Mounting Bracket (chassis)
- F - Lens (direct/indirect)
- G - Fluore
- H - Junction box (by others)

**APPLICATIONS**

A direct/indirect or indirect sculptural luminaire for exterior applications that require a 4 ft (122 cm) wall mounted decorative sconce that can be mounted vertically such as:

Flanking building entrances and elevators, columns, between windows.

**SPECIFICATIONS**

**JUNCTION BOX:** 4 in (102 mm) standard, octagonal or round, recessed, exterior junction box supplied by others.

**WEIGHT:** 14 lb (6.4 kg)

**DECIBEL RATING:** Quiet in a 25 dB room.

**THD:** <15%

**POWER FACTOR:** >0.95

**PRINCIPAL FEATURES**

**FIXTURE SHELL:** Constructed using stamped steel.

**COVER** (Over lamp): Clear polycarbonate, coated with a silicone hard coat. Neoprene gasket attached to cover.

**LENS** (direct/indirect only): Translucent acrylic.

**INNER REFLECTOR:** Polished stainless steel reflector.

**LAMP:** One 54 Watt T5HO or 28 W T5HE fluorescent lamp (not included).

**SOCKETS:** Twist-lock installation.

**CONTROLS:** Non-dimming, T5HO, 54 W 120 – 277 V~, 347 V~ ballasts. 28 W T5HE.

**MOUNTING:** Stainless steel wall mounting system with mounting plate and cover with neoprene gaskets between the junction box and mounting plate. Paper template for easy installation and side hinges with captured locking screws for easy lamp replacement. For vertical wall mounting only.

**ADA COMPLIANT:** Designed to protrude less than 4 in (102 mm) from the wall.

Technical documents available at [www.ivaloighting.com](http://www.ivaloighting.com).

**COMPATIBLE CONTROLS**

For a list of compatible controls and technical documents, visit [www.lutron.com/ivalo](http://www.lutron.com/ivalo)

### ORDERING GUIDES

**Included in standard fixture:** Mounting system, lamp fixture shell, lens (over lamp), and ballast.

### BASE UNIT CONFIGURATION GUIDE

Select appropriate code in each column to complete model number.

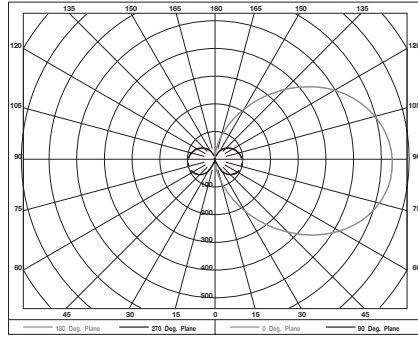
Example:

A E \_ 48 1 \_ \_ W N \_ PS \_

FAMILY	TYPE	LIGHT ORIENTATION	LENGTH	# of LAMPS	LAMP TYPES	VOLTAGE	SUSPENSION	CONTROL OPTION	REGION	CHASSIS FINISH	SHELL FINISH		
A Aliante	E Exterior	D Direct/Indirect	48 48" Long	1 One Lamp	5F 54 W T5HO High Output	2 120 V~	W Wall Mounting	N Non Dimming	U UL-North America	PS Silver	PS • Silver	PM • Metallic Silver	
		N Indirect No Lens			2F 28 W T5HE High Efficiency	3 347 V~ (Canada only)					I Inter-national	PB Bronze	
					4 220/240 V~								
					7 277 V~								

**KEY:**  
• = Standard color options (others are special order)

- Custom control options and colors are available. Please contact Ivalo customer service at fixtures@lutron.com for more information about custom options.
- Automotive paint is not available for exterior fixtures.



**INDIRECT/DIRECT  
CANDELA PLOT**

**PHOTOMETRIC DATA**

Direct/Indirect Total Luminaire Efficiency 32%  
Total Lamp Lumens 4400  
Input watts 62 W at 120 V~

**CANDELA DISTRIBUTION**

**FLUX**

	0.0	22.5	45.0	67.5	90.0	112.5	135.0	157.5	180.0
0	10	10	10	10	10	10	10	10	10
5	25	34	14	7	6	3	1	0	1
15	82	69	58	44	12	0	0	0	8
25	168	123	92	98	31	0	0	0	25
35	268	176	116	134	62	0	0	0	49
45	372	226	133	156	78	0	0	0	76
55	473	269	146	170	89	0	0	0	102
65	557	303	155	179	96	0	0	0	125
75	614	324	161	184	99	0	0	0	142
85	639	333	162	185	98	0	0	0	150
90	640	334	162	184	97	0	0	0	0
95	632	330	160	182	94	0	0	0	148
105	598	314	155	178	88	0	0	0	137
115	537	287	147	169	79	0	0	0	118
125	454	253	136	159	69	0	0	0	95
135	356	210	123	144	57	0	0	0	69
145	255	163	107	120	43	0	0	0	44
155	164	115	86	86	27	0	0	0	23
165	87	67	56	38	11	1	0	0	8
175	27	17	13	6	4	1	0	0	1
180	3	3	3	3	3	3	3	3	3

Note: This measurement was done with the sconce attached to a white wall with surface reflectance of 88.5% rather than the standard IES free space measurement.

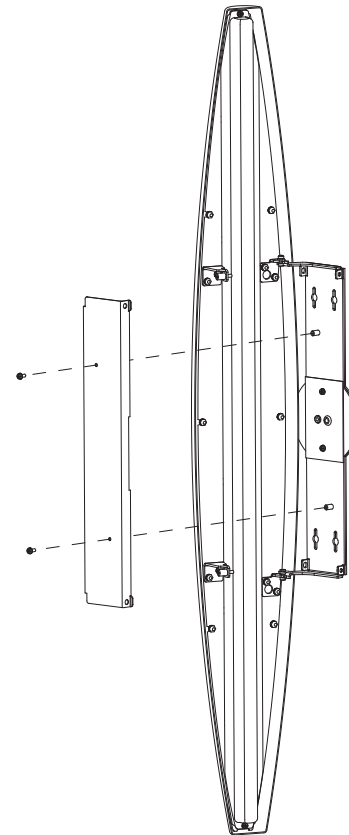
**LUMINANCE IN CANDELA PER SQUARE METER**

ANGLE in DEG	AVG 0-DEG	AVG 45-DEG	AVG 90-DEG
0	5166	5166	5166
45	513	259	712
55	563	246	702
65	599	236	684
75	620	230	662
85	625	224	635

**COEFFICIENTS OF UTILIZATION -ZONAL CAVITY METHOD**

EFFECTIVE FLOOR CAVITY REFLECTANCE 0.20

RC	80			70			50			30			10			0		
	70	50	30	10	70	50	30	10	50	30	10	50	30	10				
0	32	32	32	32	30	30	30	30	25	25	25	21	21	21	17	17	17	15
1	28	26	24	23	26	24	22	21	20	19	18	16	15	14	13	12	11	10
2	25	22	19	17	22	20	18	16	16	15	13	13	12	11	10	9	8	7
3	22	18	16	13	20	17	14	12	14	12	10	11	10	8	9	7	6	5
4	20	16	13	11	18	15	12	10	12	10	8	10	8	7	7	6	5	4
5	18	14	11	9	16	13	10	8	10	8	7	8	7	5	6	5	4	3
6	16	12	9	7	15	11	9	7	9	7	5	7	6	4	5	4	3	2
7	15	11	8	6	14	10	7	6	8	6	5	6	5	4	5	4	3	2
8	14	10	7	5	13	9	6	5	7	5	4	6	4	3	4	3	2	1
9	13	9	6	4	12	8	6	4	6	5	3	5	4	2	4	3	2	1
10	12	8	5	4	11	7	5	3	6	4	3	5	3	2	3	2	1	1

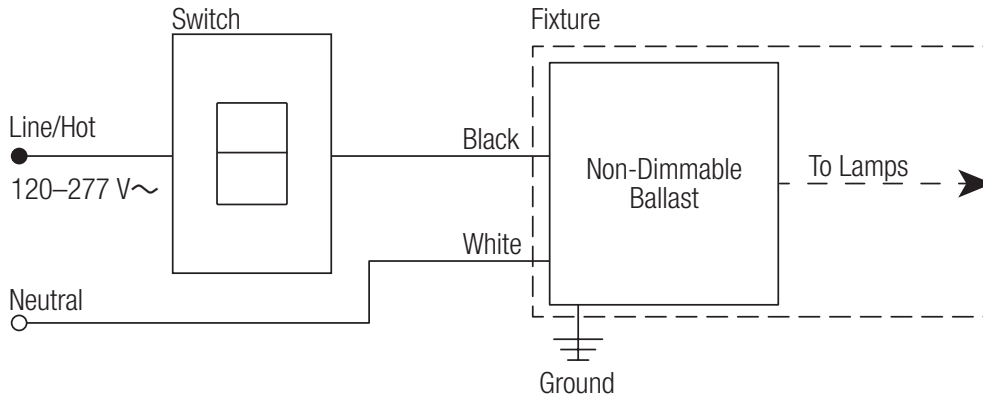


**MOUNTING SYSTEM**

- Easy mounting to the wall and template with hole guide
- Hinged opening for easy lamp replacement
- Captured locking screws hold the unit closed

**CIRCUIT DIAGRAMS**

**NON-DIMMING (120–277 V~)**



Lutron, Lutron, IVALO, IVALO Lighting (registered in the U.S. only), and Aliante are registered trademarks and Lutron Ivalo Collection is a trademark of Lutron Electronics Co., Inc.

©2012-2016 Lutron Electronics Co., Inc.



SUITABLE FOR WET LOCATIONS.

Lutron Electronics Co., Inc.  
7200 Suter Road, Coopersburg, PA 18036  
Telephone 610.282.7472 Fax 610.282.7600  
fixtures@lutron.com

For warranty details, see  
[www.lutron.com/TechnicalDocumentLibrary/3683454.pdf](http://www.lutron.com/TechnicalDocumentLibrary/3683454.pdf)  
Specification subject to change without notice