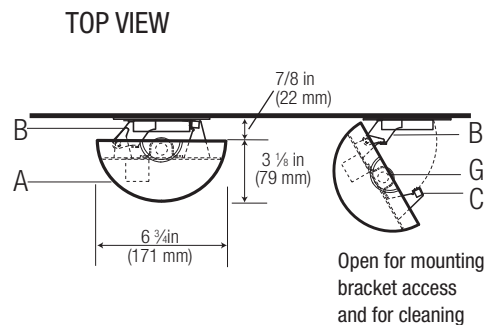
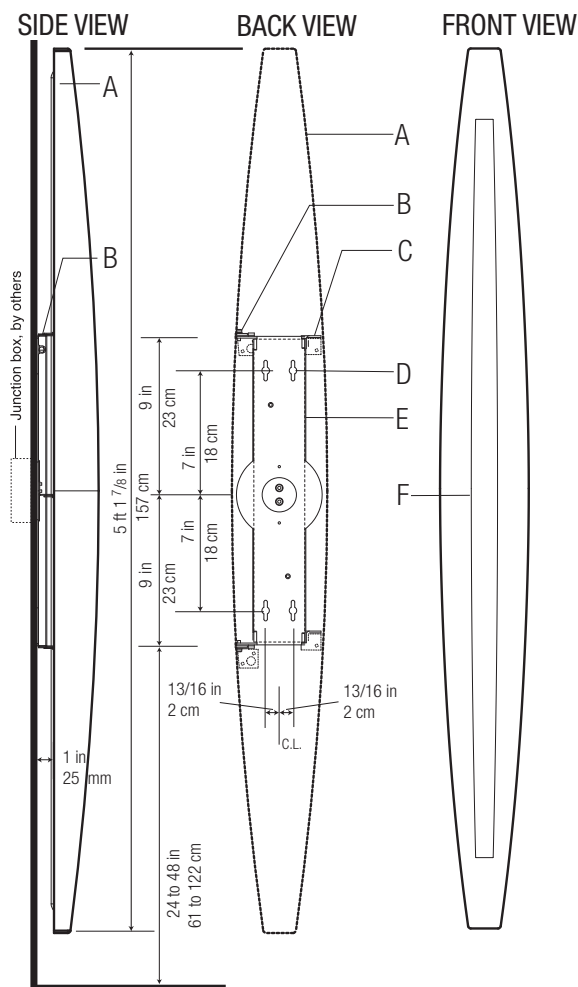


DIMENSIONS



- A Steel shell
- B Hinge (3)
- C Locking Screw (2)
- D Mounting Holes (4)
- E Mounting Bracket (chassis)
- F Lens (Direct/Indirect only)
- G Fluorescent Lamp

APPLICATIONS

A direct/indirect sculptural luminaire for exterior applications that require a 5 ft (152 cm) wall mounted decorative sconce that can be mounted vertically such as:

COMMERCIAL: Flanking building entrances, elevators, and on columns.

RESIDENTIAL: Between windows and on columns.

SPECIFICATIONS

JUNCTION BOX: 4 in (102 mm) octagonal or round recessed exterior box supplied by others.

WEIGHT: 18 lbs (8.2 kg)

DECIBEL RATING: Quiet in a 25 dB room.

THD: <15%

POWER FACTOR: >0.95

PRINCIPAL FEATURES

FIXTURE SHELL: Constructed using stamped steel.

COVER (OVER LAMP): Clear polycarbonate, coated with a silicone hard coat. Neoprene gasket attached to cover.

LENS (OPTIONAL): Translucent acrylic lens.

INNER REFLECTOR: Polished stainless steel reflector.

LAMP: One 80 W T5HO or 35 Watt T5HE fluorescent lamp (not included).

SOCKETS: Twist-lock installation.

CONTROLS: Non-dimming (120 – 277 V~, 347 V~).

MOUNTING: Steel wall mounting system with mounting plate and cover with neoprene gaskets between the junction box and mounting plate. Paper template for easy installation. Side hinges with captured locking screws for easy lamp replacement. For vertical wall mounting only.

Technical documents available at: www.lutron.com/ivalo

ORDERING GUIDES

Included in standard fixture: Mounting system, fixture shell, lens (over lamp), and ballast.

BASE UNIT CONFIGURATION GUIDE

Select appropriate code in each column to complete model number.

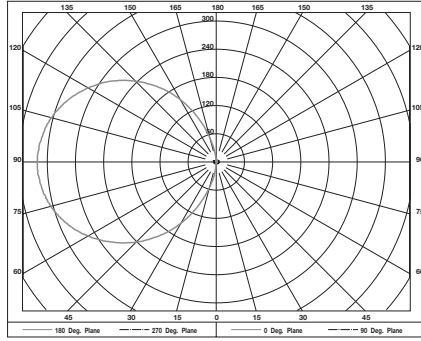
Example:

A E _ 60 1 _ _ W N _ PS _

FAMILY	TYPE	LIGHT ORIENTATION	LENGTH	# of LAMPS	LAMP TYPES	VOLTAGE	SUSPENSION	CONTROL OPTION	REGION	CHASSIS FINISH	SHELL FINISH	
A Aliante®	E Exterior	D Direct/Indirect	60 60" Long	1 One Lamp	8F 80 W T5HO High Output	2 120 V~	W Wall Mounting	N Non Dimming	U UL-North America	PS Silver	PS • Silver	PM • Metallic Silver
		N Indirect No Lens			3F 35 W T5HE High Efficiency	3 347 V~ (Canada only)			I International		PB Bronze	
						4 220/ 240 V~						
						7 277 V~						

KEY:
• = Standard color options
(others are special order)

- Custom control options and colors are available. Please contact fixtures customer service at fixtures@lutron.com for more information about custom options.
- Automotive paint is not available for exterior fixtures.



**INDIRECT/DIRECT
CANDELA PLOT**

PHOTOMETRIC DATA

Total Luminaire Efficiency 40.8%
Direct/Indirect
Spacing Criterion 0° 90°
Lateral Plane 1.2 0.6
Total Lamp Lumens 6160
Input watts 87.1 W at 120 V~

Note: Photometrics done in open space in accordance with IES standards. Results will vary significantly with wall characteristics

CANDELA DISTRIBUTION

FLUX

	0.0	22.5	45.0	67.5	90.0	112.5	135.0	157.5	180.0
0	0	6	6	6	6	6	6	6	6
5	0	10	8	5	3	11	19	23	12
15	0	10	8	4	3	73	85	83	57
25	0	11	8	5	3	191	192	174	119
35	0	10	7	5	3	314	309	268	182
45	0	9	8	5	3	430	423	353	241
55	0	10	9	6	4	534	526	428	293
65	0	10	10	5	4	618	611	487	336
75	0	11	10	6	4	681	673	530	364
85	0	12	11	6	5	712	706	551	379
90	0	12	11	6	5	715	710	552	381
95	0	12	11	6	5	711	705	550	379
105	0	11	10	6	5	677	673	527	364
115	0	11	10	6	5	615	610	484	334
125	0	10	8	6	4	530	526	426	295
135	0	11	8	5	4	428	423	352	243
145	0	11	9	5	4	313	308	266	185
155	0	11	9	5	4	189	192	172	120
165	0	10	8	5	4	71	83	80	54
175	0	10	8	4	1	9	15	18	7
180	6	6	6	6	6	6	6	6	6

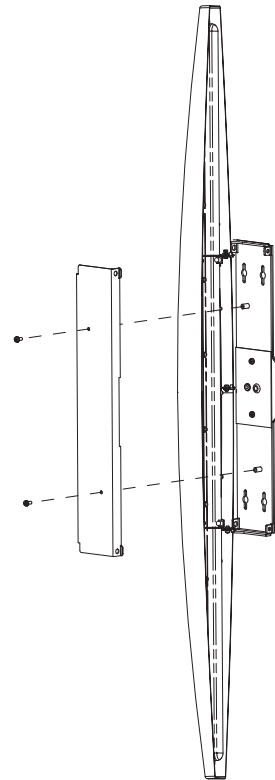
LUMINANCE IN CANDELA PER SQUARE METER

ANGLE in DEG	AVG 0-DEG	AVG 45-DEG	AVG 90-DEG
0	247	247	247
45	820	543	337
55	1622	901	454
65	2925	1574	480
75	4671	2464	741
85	6282	3481	1303

COEFFICIENTS OF UTILIZATION - ZONAL CAVITY METHOD

EFFECTIVE FLOOR CAVITY REFLECTANCE 0.20

RC	80				70				50				30				10				0			
RW	70	50	30	10	70	50	30	10	50	30	10	50	30	10	50	30	10	50	30	10	50	30	10	
0	44	44	44	44	40	40	40	40	49	49	49	40	40	40	32	32	32	28	28	28	28	28	28	
1	38	35	33	30	34	32	30	28	41	39	37	33	32	30	26	25	24	20	20	20	20	20	20	
2	33	29	26	23	30	27	23	21	35	32	29	28	26	24	22	20	19	16	16	16	16	16	16	
3	30	25	21	18	27	23	19	16	30	27	24	24	22	20	19	17	15	13	13	13	13	13	13	
4	27	21	17	14	24	20	16	13	26	23	20	21	18	16	16	14	13	10	10	10	10	10	10	
5	24	19	15	12	22	17	13	11	23	19	17	19	16	13	14	12	10	8	8	8	8	8	8	
6	22	16	12	10	20	15	11	9	20	17	14	16	14	11	13	10	9	7	7	7	7	7	7	
7	20	15	11	8	18	13	10	7	18	15	12	15	12	10	11	9	7	6	6	6	6	6	6	
8	19	13	9	7	17	12	9	6	16	13	10	13	10	8	10	8	6	5	5	5	5	5	5	
9	17	12	8	6	16	11	7	5	15	11	9	12	9	7	9	7	5	4	4	4	4	4	4	
10	16	11	7	5	15	10	7	5	13	10	7	11	8	6	8	6	4	3	3	3	3	3	3	



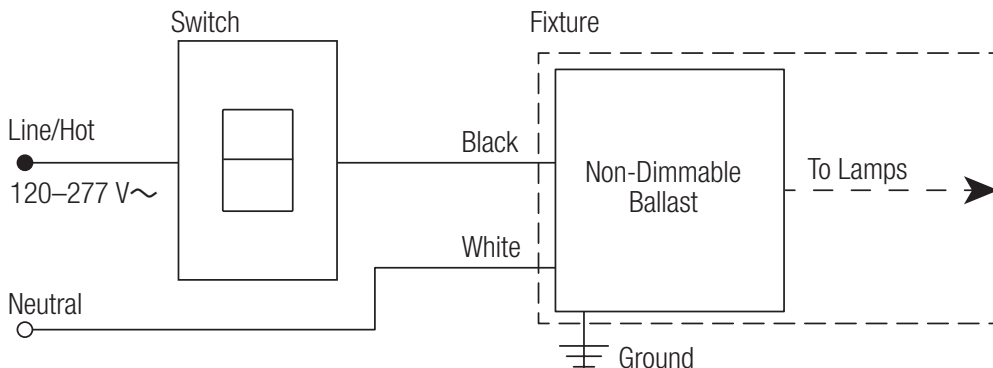
MOUNTING SYSTEM

- Easy mounting to the wall and template with hole guide
- Hinged opening for easy lamp replacement
- Captured locking screws hold the unit closed

CIRCUIT DIAGRAMS FOR SWITCHING

NON-DIMMED (120-277 V~)

WIRING DIAGRAM A



Lutron, Lutron, IVALO, IVALO Lighting (registered in the U.S. only), and Aliante are registered trademarks and Lutron Ivalo Collection is a trademark of Lutron Electronics Co., Inc.

©2012-2016 Lutron Electronics Co., Inc.



Lutron Electronics Co., Inc.
7200 Suter Road, Coopersburg, PA 18036
Telephone 610.282.7472 Fax 610.282.7600
fixtures@lutron.com

For warranty details, see
www.lutron.com/TechnicalDocumentLibrary/3683454.pdf

Specification subject to change without notice