

- A Polycarbonate shell, frosted
- B Aluminum inset, multi-layer automotive paint
- C Locking screws (2)
- D Snap-in attachment pins (2)
- E Steel mounting plate and ballast box
- F Compact fluorescent lamp

APPLICATIONS

An indirect sculptural luminaire for applications that require a 23" long wall mounted decorative sconce or flush mounted ceiling fixture (LED only) that can be mounted at various orientations or grouped such as:

Building, elevator, office lobbies, hallways, stairwells, reception areas, executive offices, flanking doorways, entry halls, and theaters.

PRINCIPAL FEATURES

FIXTURE HOUSING SHELL: Constructed using frosted vacuum formed polycarbonate and a stamped aluminum inset.

LAMP: One 42 Watt triple tube compact fluorescent lamp (not included). Red, Green, Blue, Amber or White (Neutral or Warm) 12 Watt high efficiency LED array provided with LED models.

SOCKETS: Twist-lock for compact fluorescent lamp configuration. LED module is hard-wired and designed to last the lifetime of the fixture.

CONTROLS: LUTRON® 5% 3-wire dimming for fluorescent 120 - 277 V~. LUTRON 1% dimming for LED 120 - 277 V~. Non-dimming for fluorescent and LED 120 - 277 V~.

MOUNTING: Steel wall mounting system with multiple mounting holes for easy installation and lamp replacement. Locking screws keeps cover shell tightly fastened. ADA compliant. Designed to protrude less than 4" from wall. For wall mounting or flush mounted ceiling fixture (LED only).

JUNCTION BOX: 4 in. octagonal, round, or rectangular switch box supplied by others.

WEIGHT: 5.2 lbs (2.3 kg).

Technical documents available at www.lutron.com/lvalo.

ORDERING GUIDES

Included in standard fixture: Mounting system, fixture shell, and aluminum diffuser and ballast.

BASE UNIT CONFIGURATION GUIDE

Select appropriate code in each column to complete model number.

Example:

N N N 23 _ _ _ W _ _ WH _

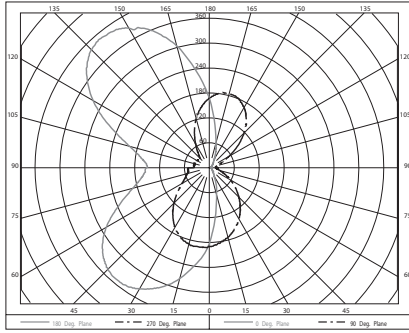
FAMILY	TYPE	LIGHT ORIENTATION	LENGTH	# OF LAMPS	LAMP TYPES	VOLTAGE	SUSPEN	CONTROL OPTION	REGION	CHASSIS FINISH	SHELL FINISH	
N Inflection	N Sconce	N Indirect No Lens	23 23" Long	1 ¹ One Lamp	42 42 W Compact Fluorescent	2 120 V~	W Wall Mounting	N Non-Dim	U UL-North America	WH White	GT ● Gloss Titanium	MT ● Matte Titanium
				L LED String	RL ² Red LED 12 W	4 220/ 240 V~		2 ³ 1% 2-wire	I Inter- national		GS ● Gloss Slate	MS ● Matte Slate
					GL ² Green LED 12 W	7 277 V~		3 ⁴ 1% 3-wire			GG ● Gloss Graphite	MG ● Matte Graphite
					BL ² Blue LED 12 W			E ⁴ 1% EcoSystem			GF Gloss Flame	MF Matte Flame
					AL ² Amber LED 12 W						GC Gloss Copper	MC Matte Copper
					NL ² Neutral White LED 12 W						GP Gloss Pearl White	MP Matte Pearl White
					WL ² Warm White LED 12 W						GL Gloss Lapis	ML Matte Lapis
											GE Gloss Ebony	ME Matte Ebony
											GA Gloss Arctic White	MA Matte Arctic White
											PS Silver	PM Metallic Silver
											PB Bronze	

¹ 42W Compact Fluorescent Lamp Type only.
² LED Type only.
³ LED/120V only.
⁴ CFL is 5% dimming.

- Custom color, hanging, and fixture options are available. Contact fixtures customer service at fixtures@lutron.com.

Not for use in Quebec.

KEY:
● = Standard color options
(others are special order)



FLUORESCENT INDIRECT CANDELA PLOT

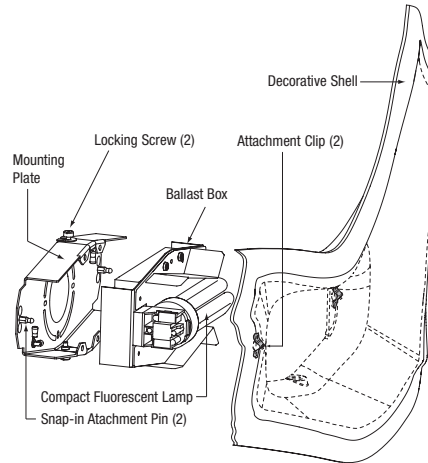
PHOTOMETRIC DATA

	Total Luminaire Efficiency 50%	
Direct/Indirect		
Spacing Criterion Lateral Plane	0° 0.3	90° 1.1
Total Lamp Lumens	3200	
Input watts	47 W at 120 V~	

CANDELA DISTRIBUTION

FLUX

	0.0	22.5	45.0	67.5	90.0	112.5	135.0	157.5	180.0
0	188	188	188	188	188	188	188	188	188
5	137	142	153	169	187	201	211	218	219 17
15	67	73	92	126	173	211	243	267	277 49
25	34	40	57	89	155	215	267	302	321 78
35	17	22	34	61	129	208	273	319	347 101
45	11	14	20	43	100	187	260	310	346 115
55	8	9	13	26	72	158	230	275	313 118
65	6	6	8	14	46	125	189	218	252 109
75	6	6	6	9	26	98	148	166	191 98
85	6	6	5	6	14	80	126	131	158 93
90	4	5	6	6	23	110	170	156	151
95	4	5	9	9	15	71	121	132	156 93
105	5	6	8	9	22	81	129	155	199 102
115	6	8	12	16	38	109	167	214	281 117
125	8	13	20	35	74	159	227	290	359 127
135	11	20	35	61	118	212	284	347	402 124
145	17	34	58	89	155	241	313	368	402 106
155	34	54	75	115	177	244	310	351	370 80
165	61	82	106	142	185	226	266	294	303 48
175	123	143	151	164	177	190	201	209	211 16
180	168	168	168	168	168	168	168	168	168



- Snap on shell with locking screws for easy attachment of outer shell and lamp replacement.
- ADA COMPLIANT
- Slotted mounting system to junction box to accommodate different fixture orientations.

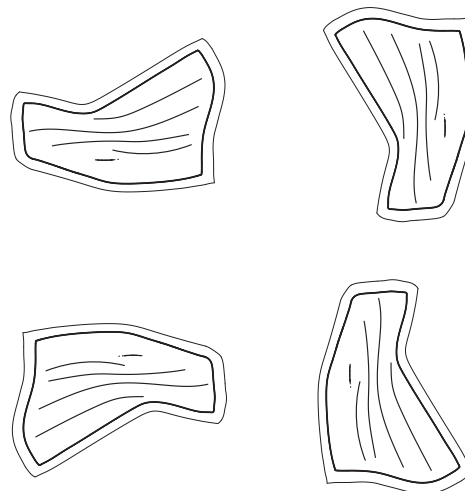
LUMINANCE IN CANDELA PER SQUARE METER

ANGLE in DEG	AVG 0-DEG	AVG 45-DEG	AVG 90-DEG
0	5292	5292	5292
45	202	373	2766
55	147	243	2171
65	114	155	1577
75	122	124	1071
85	135	115	751

COEFFICIENTS OF UTILIZATION - ZONAL CAVITY METHOD

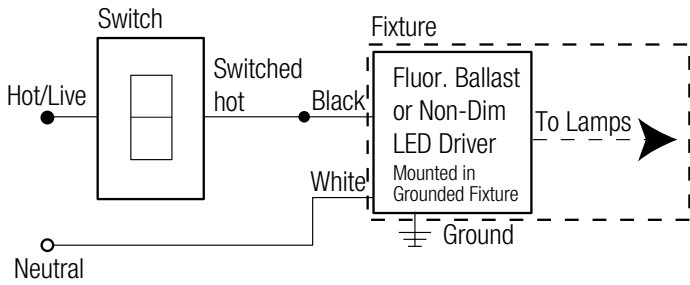
EFFECTIVE FLOOR CAVITY REFLECTANCE 0.20

RC	80		70		50		30		10		0							
	70	50	30	10	70	50	30	10	50	30	10	50	30	10				
0	53	53	53	53	49	49	49	49	41	41	41	34	34	34	27	27	27	24
1	47	45	42	40	43	41	39	37	34	33	32	28	27	26	23	22	21	18
2	43	39	35	32	39	35	32	30	30	27	25	24	22	21	19	18	17	14
3	39	34	30	26	35	31	27	25	26	23	21	21	19	17	17	15	14	12
4	35	30	25	22	32	27	23	21	23	20	18	19	16	15	15	13	12	10
5	32	26	22	18	29	24	20	17	20	17	15	16	14	12	13	11	10	8
6	30	23	19	16	27	21	17	15	18	15	13	15	12	10	12	10	8	7
7	27	21	16	14	25	19	15	13	16	13	11	13	11	9	10	9	7	6
8	25	19	14	12	23	17	13	11	14	11	9	12	10	8	9	8	6	5
9	23	17	13	10	21	15	12	9	13	10	8	11	8	7	8	7	5	4
10	21	15	11	9	20	14	11	8	12	9	7	10	7	6	8	6	5	4

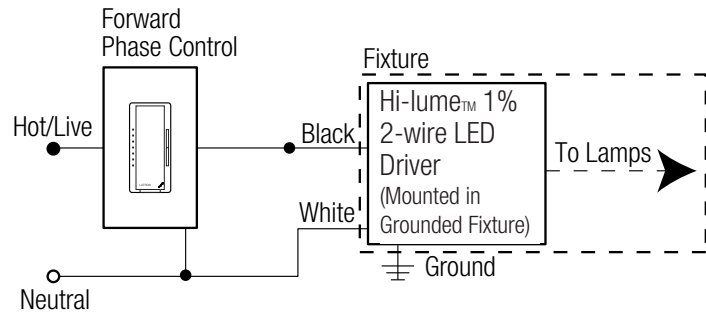


CIRCUIT DIAGRAMS FOR SWITCHING AND FORWARD PHASE CONTROL DIMMING

Wiring Diagram A:

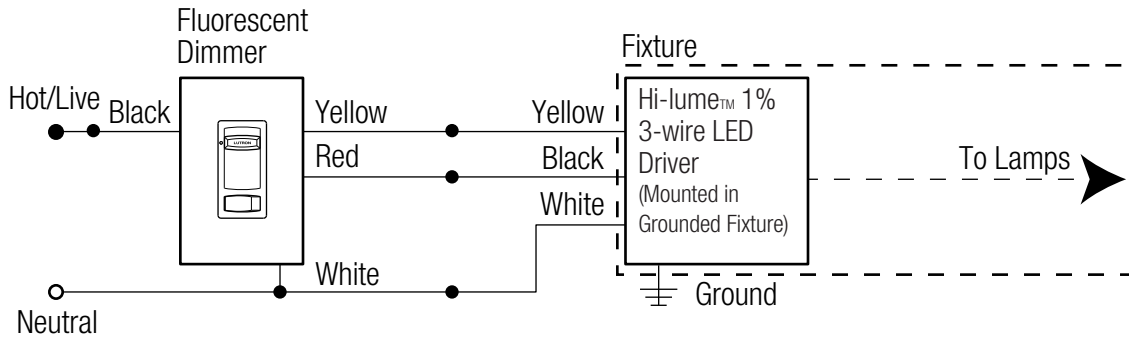


Wiring Diagram B:



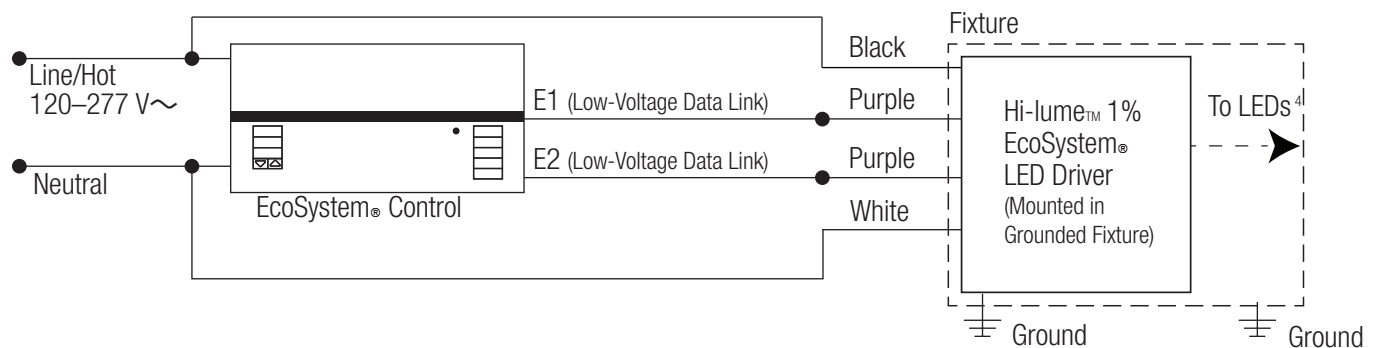
CIRCUIT DIAGRAM FOR 3-WIRE DIMMING

Wiring Diagram C:



EcoSystem® DIGITAL CONTROL (120–277 V~)

Wiring Diagram D:



For list of compatible controls, visit us at www.lutron.com/hilumeLED or contact the LED Control Center of Excellence at 1.877.DIM.LED8



SUITABLE FOR
DAMP LOCATIONS

Lutron, Lutron, IVALO, IVALO Lighting (registered in the U.S. only), and Inflection are registered trademarks and Ivalo Collection is a trademark of Lutron Electronics Co., Inc.

©2012–2016 Lutron Electronics Co., Inc.

Lutron Electronics Co., Inc.
7200 Suter Road, Coopersburg, PA 18036
Telephone 610.282.7472 Fax 610.282.7600
fixtures@lutron.com

For limited 10-year LED warranty and limited 3-year fluorescent warranty, see www.lutron.com/TechnicalDocumentLibrary/3683454.pdf

P/N 367-2223c 08/2016

specification subject to change without notice