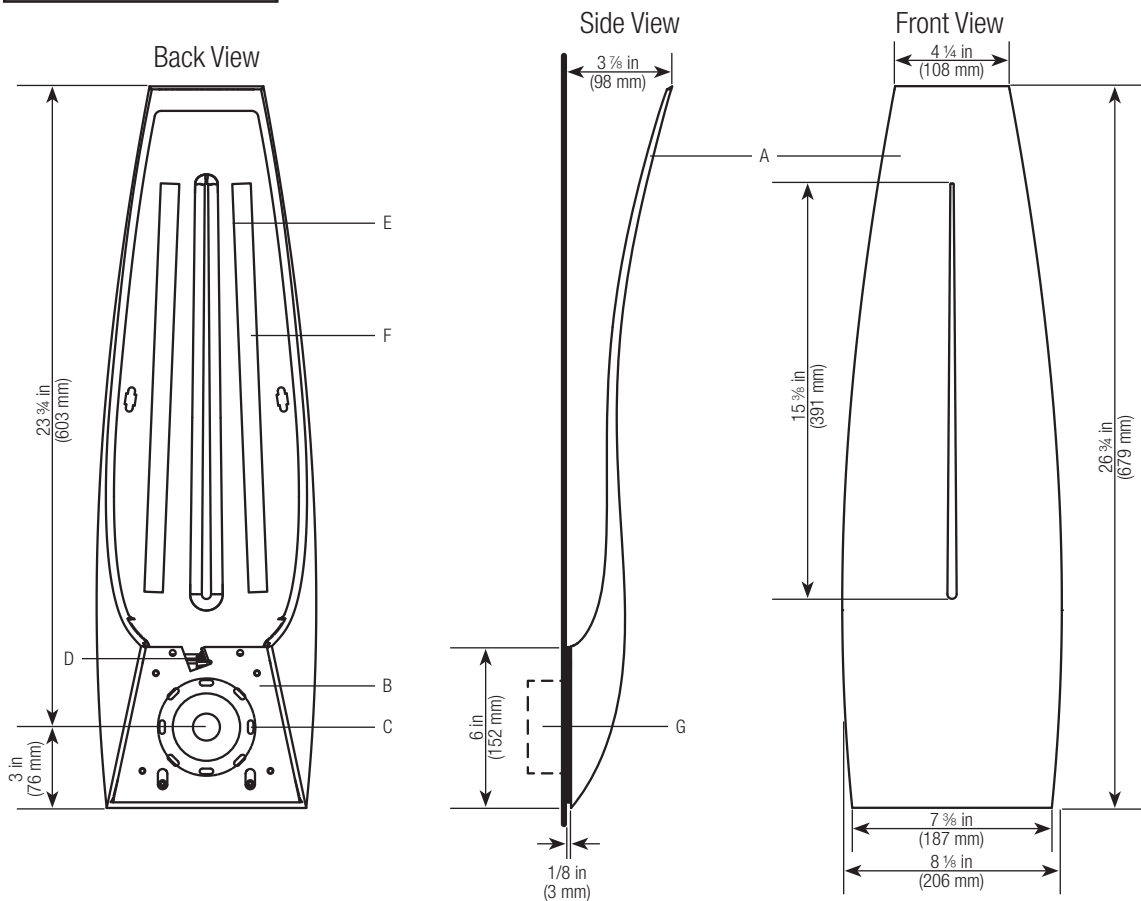


DIMENSIONS

- A - Cast Aluminum Shell
- B - Mounting Plate (chassis)
- C - Mounting Holes
- D - Locking Screw
- E - Reflector
- F - LEDs
- G - Junction box (by others)



APPLICATIONS

A direct/indirect sculptural luminaire for interior applications that require a 27 in (686 mm) wall-mounted, ADA compliant, decorative sconce:

COMMERCIAL: Lobby, reception areas, atrium, art space, boardroom, conference room, and executive office.

RESIDENTIAL: Kitchen, dining room, hallways, stairwells, home office, and flanking doorways.

SPECIFICATIONS

JUNCTION BOX: 4 in (102 mm) octagonal or round junction box supplied by others.

WEIGHT: 6 lb (2.7 kg)

DECIBEL RATING: Quiet in a 25 dB room.

THD: <15%

POWER FACTOR: >0.95

PRINCIPAL FEATURES

FIXTURE SHELL: Constructed using cast aluminum.

LIGHT SOURCE: 2700 K, 3000 K, or 3500 K, 95 CRI integrated LEDs.

CONTROL TYPE: Lutron® 1% 2-Wire dimming (120 V~ only), 1% 3-Wire dimming (120–277 V~), 1% EcoSystem® dimming (120–277 V~), or non-dimming (120–277 V~).

MOUNTING: Standard mounting to junction boxes. No special hardware required.

COMPATIBLE CONTROLS

For a list of compatible controls and technical documents, visit www.lutron.com/lvalo

ORDERING GUIDE

INCLUDED WITH STANDARD FIXTURE: Mounting system, fixture shell, LEDs, and driver.

BASE UNIT CONFIGURATION GUIDE

Select appropriate code in each column to complete model number.

Example:

L	N	D	27	L	—	—	W	—	—	BL	—	
FAMILY	TYPE	LIGHT ORIENT	LENGTH	# OF LAMPS	LAMP TYPES	VOLTAGE	SUSPEN	CONTROL OPTION	REGION	CHASSIS FINISH	SHELL FINISH	
L L'ale	N Sconce	D Direct/Indirect	27 27 in ¹	L LEDs, 95 CRI	27 14 W 2700 K 260 lm	2 120 V~	W Wall Mounting	2 ² 1% 2-Wire	U UL-North America	BL Black	GT ● Gloss Titanium	MT ● Matte Titanium
					30 14 W 3000 K 260 lm	4 220/240 V~		3 1% 3-Wire	I International		GS ● Gloss Slate	MS ● Matte Slate
					35 14 W 3500 K 260 lm	7 277 V~		E 1% EcoSystem [®]			GG ● Gloss Graphite	MG ● Matte Graphite
								N Non-Dimming			GF Gloss Flame	MF Matte Flame
											GC Gloss Copper	MC Matte Copper
											GP Gloss Pearl White	MP Pearl White
											GL Gloss Lapis	ML Matte Lapis
											GE Gloss Ebony	ME Matte Ebony
											GA Gloss Arctic White	MA Matte Arctic White

¹ Refer to the "Dimensions" section for exact dimensions.

² 120 V only.

KEY:

● = Standard color options
(others are special order)

NOTES:

- Custom color, hanging, and fixture options available. Contact fixtures customer service at fixtures@lutron.com.

Not for use in Quebec.

PHOTOMETRIC DATA

Direct/Indirect Lens, 2700 K Warm Light LED
(LND27LWL_W_-_BL_-_)

Measured in an Integrating Sphere (Test done in accordance with IES Standards using absolute photometry)

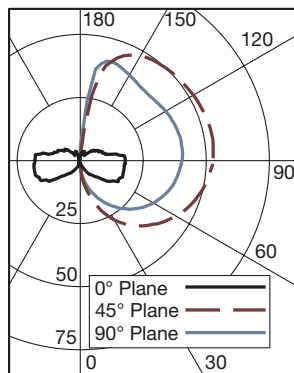
LIGHT OUTPUT (lm)	264
INPUT POWER (W)	14.4
EFFICACY (lm/W)	18.3
COLOR ACCURACY (CRI)	94.4
COLOR TEMPERATURE (K)	2663

Measured with a Goniophotometer (Test done in accordance with IES Standards using absolute photometry)

ZONAL LUMEN SUMMARY		
ZONE	LUMEN (lm)	% LUMINAIRE
0-30	6	2.1
0-60	44	16.65
0-90	119	45.2
90-180	144	54.79
0-180	264	100.0

CANDELA TABLE			
ANGLE	0°	45°	90°
0°	0	0	0
45°	6	35	26
75°	18	49	38
90°	18	53	40
105°	15	54	41
125°	9	52	39
135°	7	51	39
180°	0	0	0

CANDELA PLOT



Note: IES files available at www.lutron.com/ivalo

Direct/Indirect Lens, 3500 K Neutral Light LED
(LND27LNL_W_-_BL_-_)

Measured in an Integrating Sphere (Test done in accordance with IES Standards using absolute photometry)

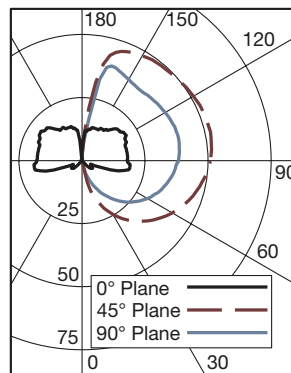
LIGHT OUTPUT (lm)	264
INPUT POWER (W)	14.4
EFFICACY (lm/W)	18.3
COLOR ACCURACY (CRI)	96.5
COLOR TEMPERATURE (K)	3417

Measured with a Goniophotometer (Test done in accordance with IES Standards using absolute photometry)

ZONAL LUMEN SUMMARY		
ZONE	LUMEN (lm)	% LUMINAIRE
0-30	5	1.8
0-60	41	15.5
0-90	114	43.0
90-180	150	57.0
0-180	264	100.0

CANDELA TABLE			
ANGLE	0°	45°	90°
0°	0	0	0
45°	5	34	23
75°	18	51	38
90°	18	52	39
105°	18	52	39
125°	20	51	38
135°	18	49	37
155°	14	47	38
180°	0	0	0

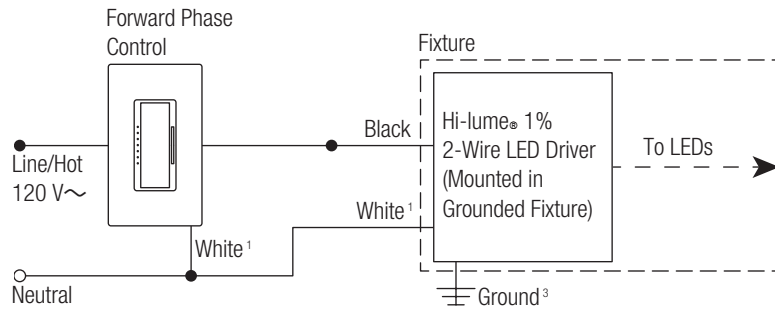
CANDELA PLOT



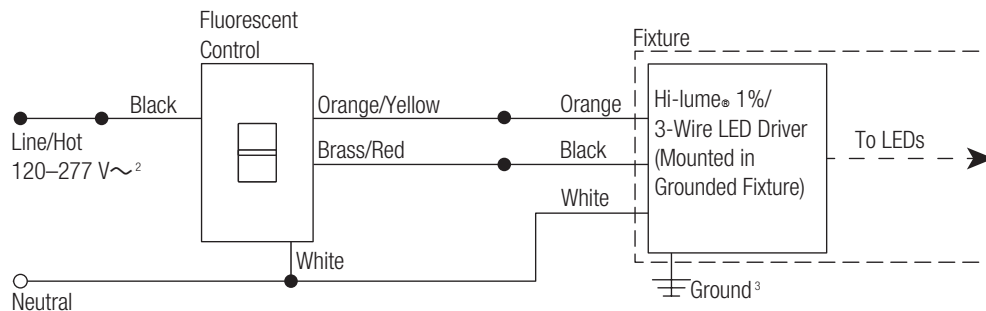
Note: IES files available at www.lutron.com/ivalo

CIRCUIT DIAGRAMS

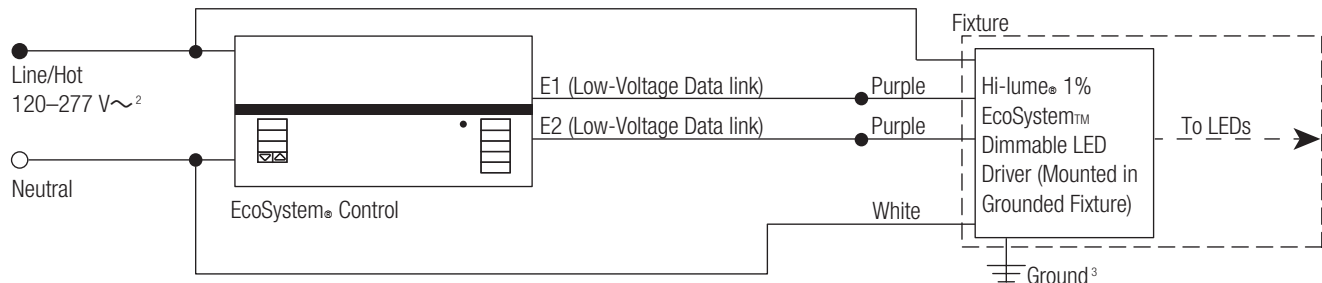
2-WIRE FORWARD PHASE CONTROL (120 V~ ONLY)



3-WIRE CONTROL (120–277 V~)



EcoSystem® DIGITAL CONTROL (120–277 V~)




¹ Neutral may be optional for certain control types. See product specification submittal for specific wiring diagrams.

² Refer to the specific Lutron® control specifications for the exact input voltage ratings of the product.

³ Ensure that both ground wires are connected in the junction box.

- For best lighting performance, the low-end level may need to be trimmed.
 - For Maestro® controls - please see Lutron® Application Note #370 (P/N 048370) for more details
 - For all other controls - please see the product instruction sheet or visit www.lutron.com
- Contact Fixtures Customer Service at fixtures@lutron.com for custom mounting options.
- For a list of compatible controls and control ratings, visit www.lutron.com/ivalo or contact the LED Control Center of Excellence at 1.877.DIM.LED8



Lutron,  Lutron, IVALO, IVALO Lighting (registered in the U.S. only), and L'ale are registered trademarks and Lutron Ivalo Collection is a trademark of Lutron Electronics Co., Inc.

©2014–2016 Lutron Electronics Co., Inc.

Lutron Electronics Co., Inc.
7200 Suter Road, Coopersburg, PA 18036
Telephone 610.282.7472 Fax 610.282.7600
fixtures@lutron.com

For limited 10-year warranty details, see www.lutron.com/TechnicalDocumentLibrary/3683454.pdf

Specification subject to change without notice