

## APPLICATIONS

A direct/indirect sculptural luminaire for applications that require an architectural element and lighting performance such as:

Lobby, Atrium, Boardroom, conference room, video conferencing room, executive office, dining room.

## SPECIFICATIONS

**JUNCTION BOX:** 4 in (102 mm) octagonal or round supplied by others.

**WEIGHT:** 12 lbs (5.5 kg)

**DECIBEL RATING:** Quiet in a 25 dB room.

**THD:** < 15%

**POWER FACTOR:** > 0.95

## PRINCIPAL FEATURES

**CANOPY SHELL:** Constructed using machined and cast aluminum.

**FIXTURE SHELL:** Constructed using fiber reinforced resin with an interior ballast housing chamber.

**LENS:** Translucent Acrylic.

**LAMP:** Two 42 W triple tube compact fluorescent lamps (not included).

**SOCKETS:** Twist-lock installation.

**CONTROLS:** Lutron® 5%, 3-wire dimming and Non-dimming: 42 W compact fluorescent, 120 – 277 V~

**SUSPENSION:** Streamlined cable system that integrates an insulated current-carrying wire with exterior braided stainless steel sheath. Adjustable for up to a 12 ft (366 cm), standard, and 16 ft (488 cm), option, high ceiling. Longer lengths available upon request.

**MOUNTING:** Chassis mounting system for easy installation. Requires a fixture brace for suspended ceilings.

## COMPATIBLE CONTROLS

Technical documents available at [www.lutron.com/lvalo](http://www.lutron.com/lvalo)

**ORDERING GUIDE**

**Included in standard fixture:** Canopy, mounting chassis, lamp base shell, cables, lens, and ballast.

**BASE UNIT CONFIGURATION GUIDE**

Select appropriate code in each column to complete model number.

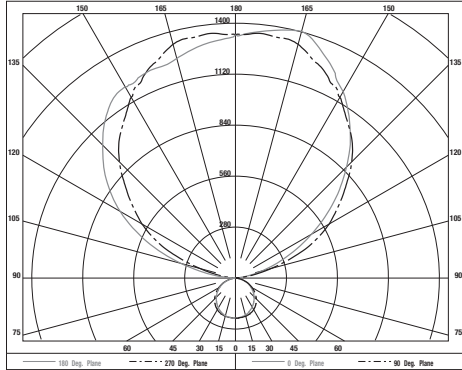
Example:

L P D 56 2 42 \_ \_ \_ \_ \_

FAMILY	TYPE	LIGHT ORIENTATION	FIXTURE LENGTH	# of LAMPS	LAMP TYPE	VOLTAGE	SUSPENSION	CONTROL OPTION	REGION	CANOPY FINISH		SHELL FINISH	
										GT •	MT •	GT •	MT •
L L'ale	P Pendant	D Direct/Indirect	56 56" Long	2 Two Lamp	4F Compact Fluorescent 42 W Lamp	2 120 V~	2 Cables up to 12' Ceiling	N Non-dimming	U UL-North America	GT • Gloss Titanium	MT • Matte Titanium	GT • Gloss Titanium	MT • Matte Titanium
						4 220/240 V~	6 Cables up to 16' Ceiling	3 5% Dimming 3-wire		I Inter- national	GS • Gloss Slate	MS • Matte Slate	GS • Gloss Slate
						7 277 V~		E 5% Dimming EcoSystem®		GG • Gloss Graphite	MG • Matte Graphite	GG • Gloss Graphite	MG • Matte Graphite
										GF Gloss Flame	MF Matte Flame	GF Gloss Flame	MF Matte Flame
										GC Gloss Copper	MC Matte Copper	GC Gloss Copper	MC Matte Copper
										GP Gloss Pearl White	MP Matte Pearl White	GP Gloss Pearl White	MP Matte Pearl White
										GL Gloss Lapis	ML Matte Lapis	GL Gloss Lapis	ML Matte Lapis
										GE Gloss Ebony	ME Matte Ebony	GE Gloss Ebony	ME Matte Ebony
										GA Gloss Arctic White	MA Matte Arctic White	GA Gloss Arctic White	MA Matte Arctic White

– Custom suspension lengths, control options and colors are available. Please contact Fixtures customer service at fixtures@lutron.com for more information about custom options.  
– Matte paint finishes are recommended for pendant canopies to minimize lamp glare.  
Not for use in Quebec.

**KEY:**  
• = Standard color options  
(others are special order)



**INDIRECT/DIRECT  
CANDELA PLOT**

**PHOTOMETRIC DATA**

Total Luminaire Efficiency	73%	% Uplight	86%	% Downlight	14%
Spacing Criterion Lateral Plane	0° 1.2	90° 1.3			
Total Lamp Lumens	6400				
Input watts	86.1 W at 120 V~				

**CANDELA DISTRIBUTION**

**FLUX**

	0.0	22.5	45.0	67.5	90.0	112.5	135.0	157.5	180.0
0	221	221	221	221	221	221	221	221	221
5	218	219	220	220	219	220	220	219	220
15	209	210	212	215	217	216	214	213	213
25	193	194	198	204	208	206	203	199	200
35	172	173	178	184	190	189	185	179	176
45	144	146	150	157	161	161	158	152	150
55	113	113	116	121	126	126	122	119	115
65	78	78	80	83	86	86	83	82	79
75	42	40	40	42	45	43	43	43	41
85	10	8	8	9	5	8	10	9	6
90	0	1	2	2	1	2	2	1	0
95	10	24	25	17	12	13	20	43	68
105	150	222	256	233	203	202	251	322	311
115	361	465	505	523	477	472	516	587	600
125	611	692	762	756	691	681	751	836	845
135	863	937	975	985	904	888	955	1058	1033
145	1087	1165	1170	1145	1066	1045	1106	1209	1186
155	1267	1321	1340	1271	1211	1197	1202	1257	1226
165	1402	1418	1401	1370	1330	1318	1301	1283	1250
175	1358	1364	1362	1359	1350	1344	1335	1326	1306
180	1336	1336	1336	1336	1336	1336	1336	1336	1336

**LUMINANCE IN CANDELA PER SQUARE METER**

ANGLE in DEG	AVG 0-DEG	AVG 45-DEG	AVG 90-DEG
0	295	295	295
45	0	189	410
55	0	177	511
65	0	173	619
75	0	174	742
85	0	180	766

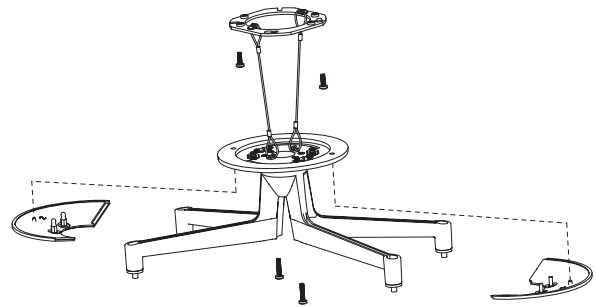
**COEFFICIENTS OF UTILIZATION -ZONAL CAVITY METHOD**

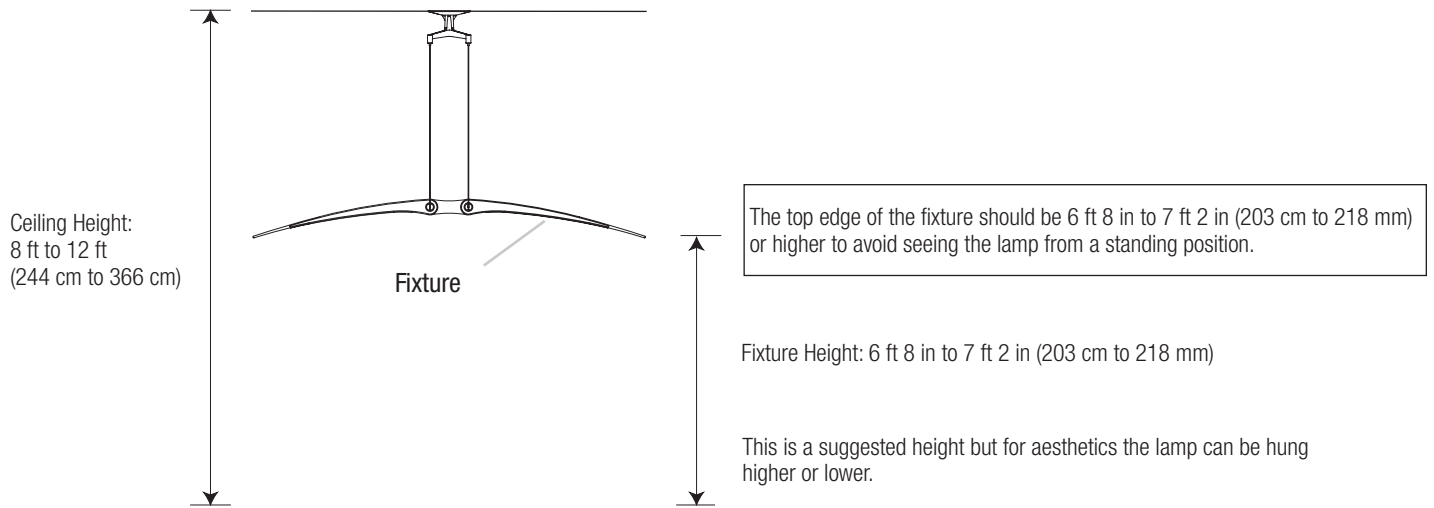
EFFECTIVE FLOOR CAVITY REFLECTANCE 0.20

RC	80			70			50			30			10			0	
RW	70	50	30	10	70	50	30	10	50	30	10	50	30	10	50	30	10
0	71	71	71	71	63	63	63	63	46	46	46	31	31	31	17	17	17
1	65	62	59	57	57	54	52	50	40	39	38	27	26	25	15	14	14
2	59	54	50	47	52	48	44	41	35	33	31	24	22	21	13	12	12
3	54	48	43	39	47	42	38	34	31	28	26	21	19	18	12	11	10
4	49	42	37	33	43	37	32	29	27	24	22	19	17	15	10	9	9
5	45	37	32	28	39	33	28	25	24	21	19	16	15	13	9	8	7
6	41	33	28	24	36	29	25	21	22	19	16	15	13	11	8	7	6
7	38	30	24	20	33	26	22	18	20	16	14	13	11	10	7	6	6
8	35	27	21	18	31	24	19	16	18	14	12	12	10	9	7	6	5
9	32	24	19	16	28	21	17	14	16	13	11	11	9	7	6	5	4
10	30	22	17	14	26	19	15	12	14	11	9	10	8	7	6	4	4

**MOUNTING SYSTEM**

- Easy mounting to the junction box.
- Wiring is done after mounting.

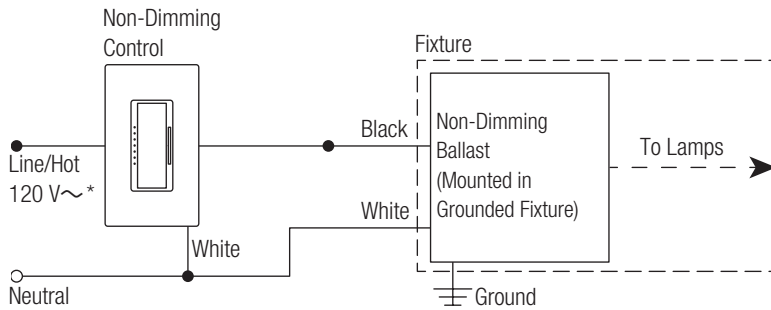




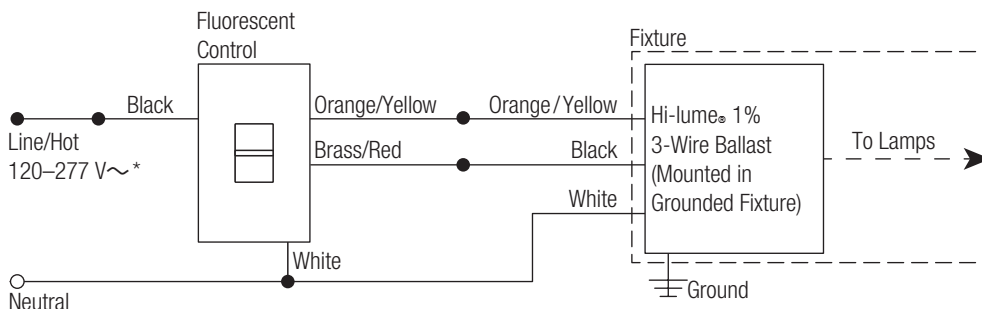
Ceiling Height	Suspension Code	Adjustable Cable Length
Up to 12 ft (366 cm)	2	1 ft 4 in – 5 ft (41 cm – 152 cm)
12 ft – 16 ft (366 cm – 488 cm)	6	1 ft 4 in – 9 ft (41 cm – 274 cm)
Above 16 ft (488 cm)	Call factory	Call factory

## CIRCUIT DIAGRAMS

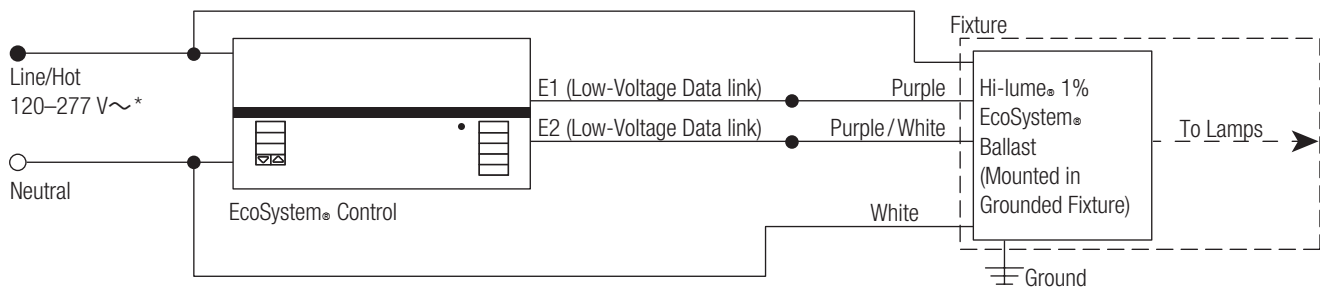
### NON-DIMMING CONTROL (120–277 V ~)



### 3-WIRE CONTROL (120–277 V ~)



### EcoSystem® DIGITAL CONTROL (120–277 V ~)



\* Refer to the specific Lutron® control specifications for the exact input voltage ratings of the product.

- Contact Fixtures Customer Service at [fixtures@lutron.com](mailto:fixtures@lutron.com) for custom mounting options.
- For a list of compatible controls and control ratings, visit [www.lutron.com/ivalo](http://www.lutron.com/ivalo) or contact the LED Control Center of Excellence at 1.877.DIM.LED8



Lutron, Lutron, IVALO, IVALO Lighting (registered in the U.S. only), Hi-lume, EcoSystem, and L'ale are registered trademarks and Lutron Ivalo Collection is a trademark of Lutron Electronics Co., Inc.

©2012-2016 Lutron Electronics Co., Inc.

Lutron Electronics Co., Inc.  
7200 Suter Road, Coopersburg, PA 18036  
Telephone 610.282.7472 Fax 610.282.7600  
[fixtures@lutron.com](mailto:fixtures@lutron.com)

For warranty details, see  
[www.lutron.com/TechnicalDocumentLibrary/3683454.pdf](http://www.lutron.com/TechnicalDocumentLibrary/3683454.pdf)

Specification subject to change without notice