

APPLICATIONS

An indirect sculptural luminaire for applications that require an ADA compliant 4 ft 4 in (132 cm) wall mounted decorative sconce that can be mounted horizontally such as:

Building, elevator, and office lobbies, hallways, stairwells, reception areas, executive offices.

SPECIFICATIONS

JUNCTION BOX: Horizontal switch box or 4 in (102 mm) octagonal or round junction box. The included optional cover panel may be removed when fixture is supplied from a smaller junction box.

WEIGHT: 8.5 lbs (3.9 kg).

DECIBEL RATING: Quiet in a 25 dB room.

THD: <15%

POWER FACTOR: >0.95

PRINCIPAL FEATURES

FIXTURE SHELL: Constructed using stamped steel.

INNER REFLECTOR: Mirrored aluminum.

LAMP: One 54 W T5 High Output (HO) or 28 W T5 High Efficiency (HE) fluorescent lamp (not included).

SOCKETS: Twist-lock installation.

CONTROLS: Lutron® 1% 3-wire dimming 54 W T5HO, and 28 W T5HE 120 – 277 V~; Non-dimming, T5HO and T5HE 120 – 277 V~ ballasts.

MOUNTING: Steel wall mounting system for easy lamp replacement. For wall mounting only.

ADA COMPLIANT: Designed to protrude less than 4 in (102 mm) from the wall.

COMPATIBLE CONTROLS

For a list of compatible controls see Technical documents available at www.lutron.com/lvalo

ORDERING GUIDE

Included in standard fixture: Included in standard fixture: Mounting system, fixture shell, and ballast.

BASE UNIT CONFIGURATION GUIDE

Select appropriate code in each column to complete model number.

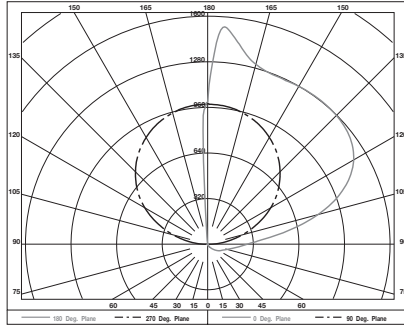
Example:

R N N 48 1 _ _ W _ _ BL _

FAMILY	TYPE	LIGHT ORIENTATION	LENGTH	# of LAMPS	LAMP TYPE	VOLTAGE	SUSPENSION	CONTROL OPTION	REGION	CHASSIS COLOR	SHELL COLOR	
R Rotare	N Interior	N Indirect No Lens	48 48 in Long	1 One Lamp	5F 54 W T5HO High Output	2 120 V~	W Wall-Mount	N Non-Dimming	U UL-North America	BL Black	GT • Gloss Titanium	MT • Matte Titanium
					2F 28 W T5HE High Efficiency	4 220/240 V~		3 1% Dimming 3-wire	I Inter-national		GS • Gloss Slate	MS • Matte Slate
						7 277 V~		E 1% Dimming EcoSystem®			GG • Gloss Graphite	MG • Matte Graphite
											GF Gloss Flame	MF Matte Flame
											GC Gloss Copper	MC Matte Copper
											GP Gloss Pearl White	MP Matte Pearl White
											GL Gloss Lapis	ML Matte Lapis
											GE Gloss Ebony	ME Matte Ebony
											GA Gloss Arctic White	MA Matte Arctic White
											PS Silver	PM Metallic Silver
											PB Bronze	

KEY:
• = Standard color options (others are special order)

NOTES:
- Custom color, hanging, and fixture options available. Contact Fixtures customer service at fixtures@lutron.com.
Not for use in Quebec.



INDIRECT/DIRECT CANDELA PLOT

PHOTOMETRIC DATA (54 W T5H0)

Total Luminaire Efficiency 72%

Direct/Indirect

Total Lamp Lumens 4400

Input watts 60 W at 120 V~

Note: This measurement was done with the sconce attached to a white wall with surface reflectance of 88.5% rather than the standard IES free space measurement.

CANDELA DISTRIBUTION

FLUX

	0.0	22.5	45.0	67.5	90.0	112.5	135.0	157.5	180.0
0	0	0	0	0	0	0	0	0	0
5	1	0	0	0	0	0	0	0	0
15	3	2	0	0	0	0	0	0	0
25	10	7	3	0	0	0	0	0	1
35	26	20	10	0	0	0	0	0	3
45	47	41	22	3	0	0	0	0	9
55	77	68	41	9	0	0	0	0	18
65	104	95	64	18	0	0	0	0	29
75	142	130	89	33	0	0	0	0	43
85	217	205	151	66	0	0	0	0	74
90	279	273	219	131	27	0	0	0	0
95	394	408	373	299	92	0	0	0	190
105	799	814	744	566	251	0	0	0	365
115	1098	1077	949	734	427	0	0	0	462
125	1235	1194	1058	881	588	0	0	0	485
135	1278	1239	1132	1018	718	0	0	0	459
145	1283	1252	1185	1155	824	0	0	0	397
155	1256	1259	1246	1319	902	0	0	0	310
165	1307	1331	1384	1482	954	38	0	0	206
175	1525	1478	1427	1224	979	715	192	79	90
180	1004	1004	1004	1004	1004	1004	1004	1004	1004

LUMINANCE IN CANDELA PER SQUARE METER

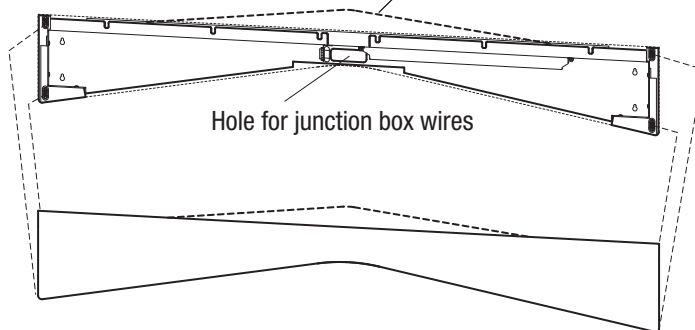
ANGLE in DEG	AVG 0-DEG	AVG 45-DEG	AVG 90-DEG
0	0	0	0
45	60	40	0
55	85	64	0
65	104	90	0
75	133	118	0
85	197	194	0

COEFFICIENTS OF UTILIZATION - ZONAL CAVITY METHOD

EFFECTIVE FLOOR CAVITY REFLECTANCE 0.20

RC	80				70				50				30				10				0
RW	70	50	30	10	70	50	30	10	70	50	30	10	70	50	30	10	70	50	30	10	
0	69	69	69	69	59	59	59	59	42	42	42	26	26	26	11	11	11	4			
1	62	59	56	53	53	51	48	46	35	34	32	21	21	21	9	8	8	2			
2	56	51	46	43	48	44	40	37	31	28	26	18	17	16	7	6	6	1			
3	51	44	39	35	44	38	34	31	27	24	22	16	14	13	6	5	5	1			
4	46	39	34	29	40	34	29	26	23	21	18	14	12	11	5	5	4	0			
5	42	34	29	25	36	30	25	22	21	18	15	12	11	9	5	4	3	0			
6	39	31	25	21	33	26	22	19	19	15	13	11	9	8	4	3	3	0			
7	36	27	22	18	31	24	19	16	17	14	11	10	8	7	4	3	2	0			
8	33	25	19	16	28	21	17	14	15	12	10	9	7	6	3	3	2	0			
9	31	22	17	14	26	19	15	12	14	11	9	8	6	5	3	2	2	0			
10	28	20	15	12	24	18	13	11	12	10	8	7	6	5	3	2	2	3			

Removable junction box cover



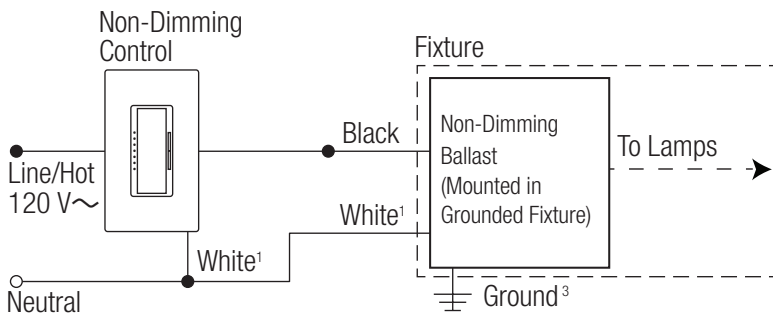
Hole for junction box wires

MOUNTING SYSTEM

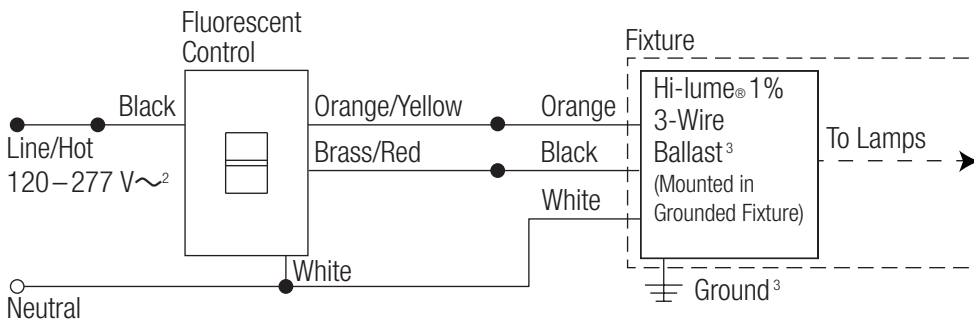
- Easy mounting to the wall
- Snap on cover shell
- Removable junction box cover - if smaller junction box is used may not be needed
- Open top for easy lamp replacement
- Low profile to allow the sconce to be ADA compliant.

CIRCUIT DIAGRAMS

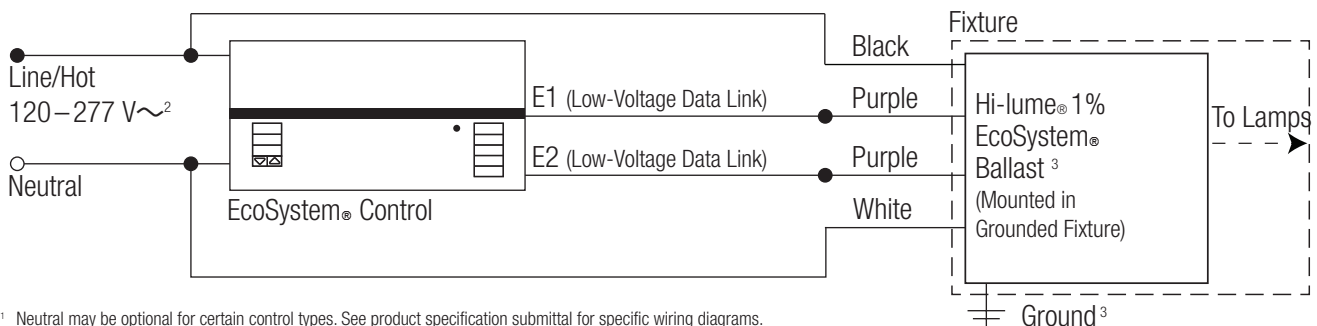
NON-DIM (120–277 V~)



3-WIRE CONTROL (120–277 V~)



ECOSYSTEM® DIGITAL CONTROL (120–277 V~)



¹ Neutral may be optional for certain control types. See product specification submittal for specific wiring diagrams.
² Refer to the specific Lutron® control specifications for exact input voltage rating of the product.
³ Ensure that both ground wires are connected in the junction box.

- Contact Fixture Customer Service for custom mounting options at fixtures@lutron.com
- For a list of compatible controls and control ratings, visit www.lutron.com/finire or contact the LED Control Center of Excellence at 1.877.DIM.LED8 or leds@lutron.com



Lutron Electronics Co., Inc.
7200 Suter Road, Coopersburg, PA 18036
Telephone 610.282.7472 Fax 610.282.7600
fixtures@lutron.com

For warranty details, see
www.lutron.com/TechnicalDocumentLibrary/3683454.pdf

Specification subject to change without notice

Lutron, Lutron, IVALO, IVALO Lighting (registered in the U.S. only), Hi-lume, EcoSystem, and Rotare are registered trademarks and Lutron Ivalo Collection and Soft-on, Fade-to-Black are trademarks of Lutron Electronics Co., Inc.

©2012-2016 Lutron Electronics Co., Inc.