

**APPLICATIONS**

A direct/indirect sculptural luminaire for applications that require an architectural element and lighting performance such as:

Boardroom, videoconferencing room, executive office and dining room, reception areas, bar area, cash register areas, art space.

**SPECIFICATIONS**

**JUNCTION BOX:** 4 in (102 mm) octagonal or round supplied by others. Requires fixture brace for suspended ceilings.

**WEIGHT:** 21 lbs (8.2 kg).

**DECIBEL RATING:** Quiet in a 25 dB room.

**THD:** <15%

**POWER FACTOR:** >0.95

**PRINCIPAL FEATURES**

**CANOPY:** Chassis in Dark Grey. Cover in Matte Automotive Paint.

**FIXTURE SHELL:** Constructed using stamped steel.

**SUSPENSION:** Streamlined cable system that integrates an insulated current-carrying wire with exterior braided stainless steel sheath. UL approved. Adjustable for up to a 12 ft (366 cm) or 16 ft (488 cm) high ceiling. Longer lengths available upon request. Pole versions also available.

**LENS:** 0.020 in (0.5 mm) thick white translucent acrylic film.

**INNER REFLECTOR:** Mirrored aluminum.

**LAMP:** One 54 W T5 High Output (HO) or 28 W T5 High Efficiency (HE) fluorescent lamp (not included).

**SOCKETS:** Twist-lock installation.

**CONTROLS:** Lutron® 1% 3-wire dimming 54 W T5HO, and 28 W T5HE 120 – 277 V~; Non-dimming, T5HO and T5HE 120 – 277 V~ ballasts.

**MOUNTING:** Proprietary chassis mounting system for easy installation.

Technical documents available at [www.ivaloighting.com](http://www.ivaloighting.com).

### ORDERING GUIDES

**Included in standard fixture:** Canopy, mounting chassis, fixture shell, cables, lens, dust cover and ballast.

### BASE UNIT CONFIGURATION GUIDE

Select appropriate code in each column to complete model number.

Example:

R P D 48 2 \_ \_ \_ \_ \_

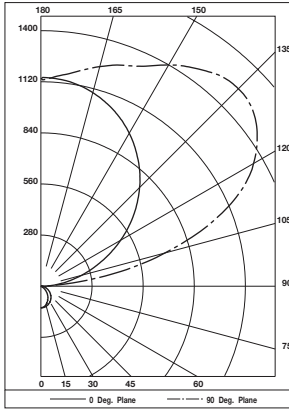
FAMILY	TYPE	LIGHT ORIENTATION	LENGTH	# of LAMPS	LAMP TYPE	VOLTAGE	SUSPENSION	CONTROL OPTION	REGION	CANOPY COLOR		SHELL COLOR	
										GT •	MT •	GT •	MT •
R Rotare	P Pendant	D Direct/Indirect Frosted Lens	48 48" Long	2 Two Lamp	2F 28W T5HE High Efficiency Lamp	2 120 V~	2 Cables up to 12' Ceiling	N Non-dimming	U UL-North America	GT • Gloss Titanium	MT • Matte Titanium	GT • Gloss Titanium	MT • Matte Titanium
					5F 54W T5HO High Output Lamp	4 220/240 V~	6 Cables up to 16' Ceiling	3 1% Dimming 3-wire		I Inter- national	GS • Gloss Slate	MS • Matte Slate	GS • Gloss Slate
						7 277 V~		E 1% Dimming EcoSystem®		GG • Gloss Graphite	MG • Matte Graphite	GG • Gloss Graphite	MG • Matte Graphite
										GF Gloss Flame	MF Matte Flame	GF Gloss Flame	MF Matte Flame
										GC Gloss Copper	MC Matte Copper	GC Gloss Copper	MC Matte Copper
										GP Gloss Pearl White	MP Matte Pearl White	GP Gloss Pearl White	MP Matte Pearl White
										GL Gloss Lapis	ML Matte Lapis	GL Gloss Lapis	ML Matte Lapis
										GE Gloss Ebony	ME Matte Ebony	GE Gloss Ebony	ME Matte Ebony
										GA Gloss Arctic White	MA Matte Arctic White	GA Gloss Arctic White	MA Matte Arctic White
										PS Silver	PM Metallic Silver	PS Silver	PM Metallic Silver
										PB Bronze		PB Bronze	

**NOTES:**

- Custom color, hanging, and fixture options available. Contact Fixtures customer service at fixtures@lutron.com.
- Matte paint finishes are recommended for pendant canopies to minimize lamp glare. Not for use in Quebec.

**KEY:**

- = Standard color options (others are special order)



**INDIRECT/DIRECT  
CANDELA PLOT  
2 LAMP**

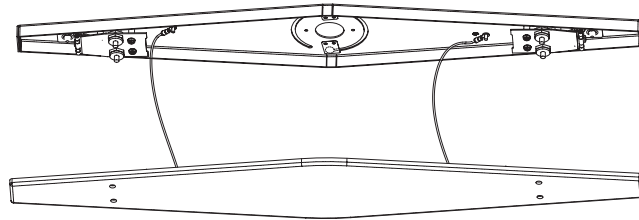
### PHOTOMETRIC DATA (T5H0)

<b>2 LAMP</b>	Total Luminaire Efficiency 64%	% Uplight 96%	% Downlight 4%
Spacing Criterion Lateral Plane	0° 1.2	90° 1.0	
Total Lamp Lumens	8800		
Input watts	124.9 W at 120 V~		

### CANDELA DISTRIBUTION

### FLUX

	0.0	22.5	45.0	67.5	90.0	
0	119	119	119	119	119	
5	118	119	119	117	116	11
15	114	112	110	106	105	31
25	104	102	95	89	86	44
35	93	88	77	69	66	49
45	77	69	55	46	42	44
55	60	49	33	22	18	31
65	41	27	12	4	3	16
75	24	12	2	2	2	8
85	4	3	2	2	0	3
90	1	3	2	2	1	
95	74	175	158	135	128	167
105	231	531	683	701	704	626
115	411	729	1026	1161	1195	916
125	596	842	1204	1389	1446	995
135	764	943	1242	1461	1530	926
145	907	1034	1222	1398	1460	760
155	1020	1094	1216	1295	1330	554
165	1098	1130	1189	1229	1245	335
175	1139	1136	1153	1156	1158	110
180	1136	1136	1136	1136	1136	



### PROPRIETARY MOUNTING SYSTEM

- Easy mounting to the junction box; **be sure to cut the hole in the suspended ceiling tile or drywall tightly around the junction box.**
- Wiring is done after mounting.
- Allows a large canopy structure to meet wiring and UL codes.

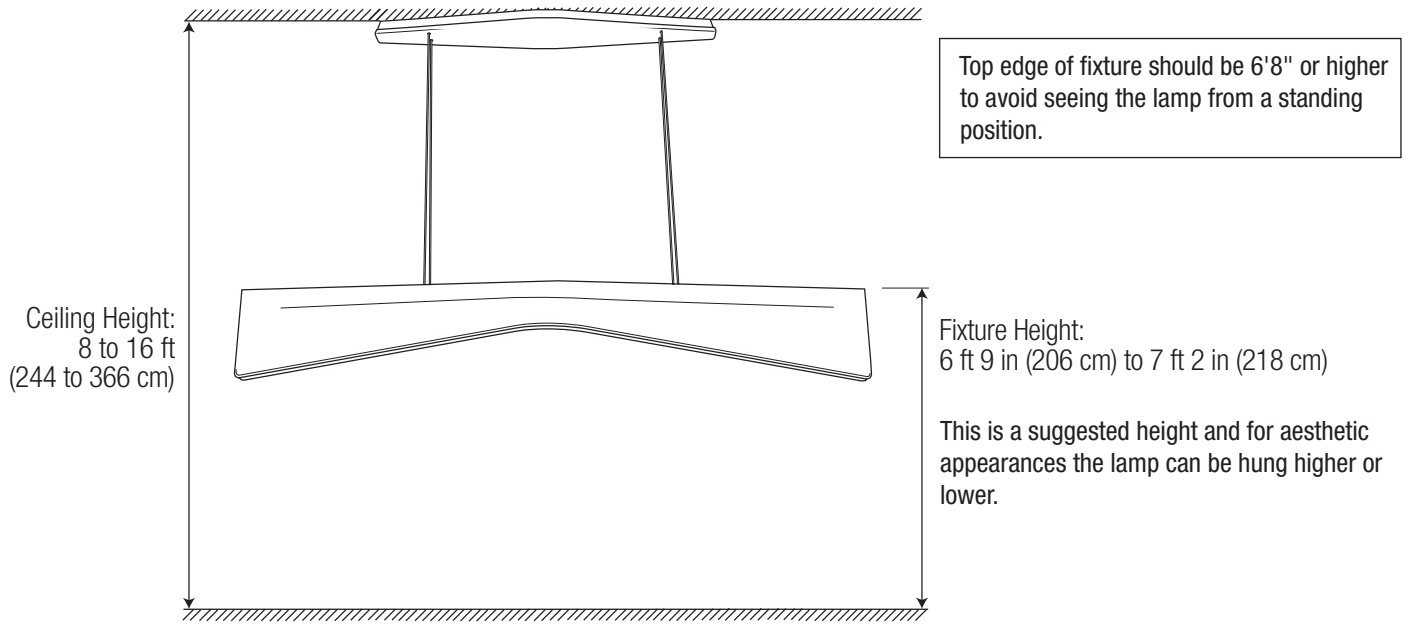
### LUMINANCE IN CANDELA PER SQUARE METER

ANGLE IN DEG	AVERAGE 0-DEG	AVERAGE 45-DEG	AVERAGE 90-DEG
0	5557.	5557.	5557.
45	5085.	3632.	2774.
55	4885.	2687.	1466.
65	4531.	1326.	332.
75	4331.	361.	361.
85	2143.	1072.	0.

### COEFFICIENTS OF UTILIZATION - ZONAL CAVITY METHOD

EFFECTIVE FLOOR CAVITY REFLECTANCE 0.20

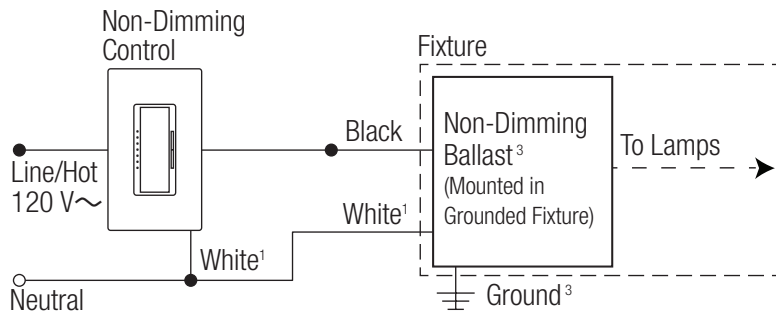
RC	80			70			50			30				
RW	70	50	30	70	50	30	70	50	30	70	50	30		
0	62	62	62	62	53	53	53	53	37	37	37	22	22	22
1	56	53	51	49	48	46	44	43	32	31	30	20	19	19
2	51	47	43	40	44	40	37	35	28	27	25	17	16	16
3	46	41	37	33	40	35	32	29	25	23	21	15	14	13
4	42	36	32	28	36	31	28	25	22	20	18	14	12	11
5	39	32	27	24	33	28	24	21	20	17	15	12	11	10
6	36	29	24	20	31	25	21	18	18	15	13	11	9	8
7	33	26	21	18	28	22	18	16	16	13	11	10	8	7
8	30	23	18	15	26	20	16	14	14	12	10	9	7	6
9	28	21	16	13	24	18	14	12	13	10	9	8	7	6
10	26	19	15	12	22	16	13	10	12	9	8	7	6	5



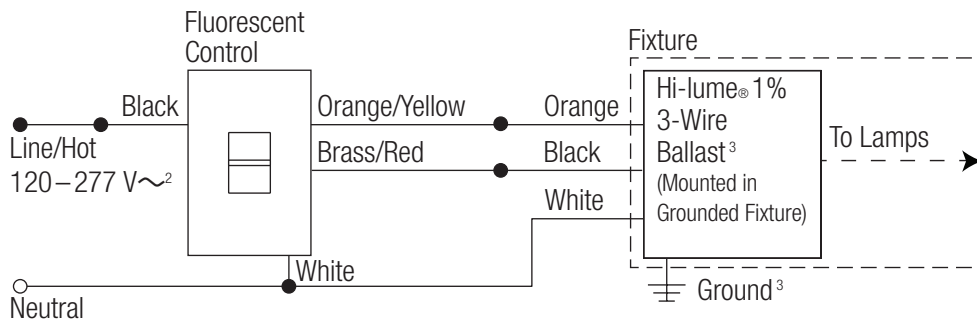
Ceiling Height	Suspension Code	Adjustable Cable Length
Up to 12 ft (366 cm)	2	1 ft 4 in – 5 ft (41 cm – 152 cm)
12 ft – 16 ft (366 cm – 488 cm)	6	1 ft 4 in – 9 ft (41 cm – 274 cm)
Above 16 ft (488 cm)	Call factory	Call factory

**CIRCUIT DIAGRAMS**

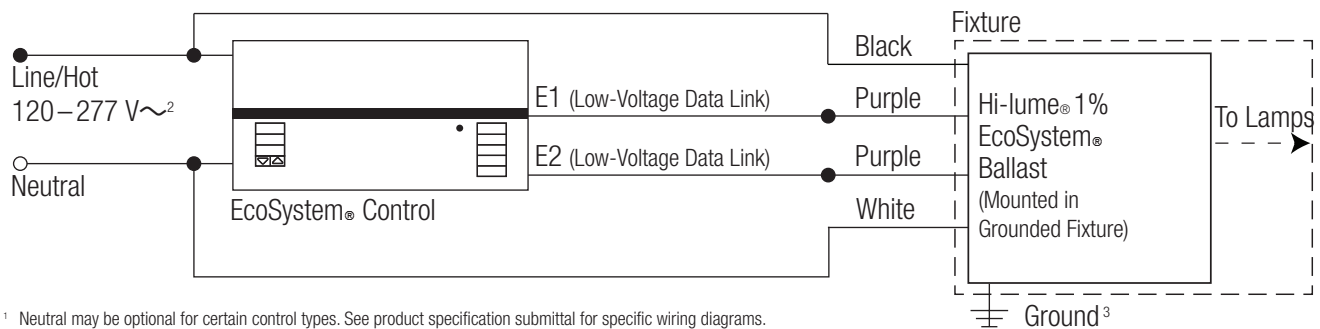
**NON-DIMMING (120–277 V~)**



**3-WIRE CONTROL (120–277 V~)**



**ECOSYSTEM® DIGITAL CONTROL (120–277 V~)**



<sup>1</sup> Neutral may be optional for certain control types. See product specification submittal for specific wiring diagrams.

<sup>2</sup> Refer to the specific Lutron® control specifications for exact input voltage rating of the product.

<sup>3</sup> Ensure that both ground wires are connected in the junction box.

- Contact Fixture Customer Service for custom mounting options at [fixtures@lutron.com](mailto:fixtures@lutron.com)
- For a list of compatible controls and control ratings, visit [www.lutron.com/finire](http://www.lutron.com/finire) or contact the LED Control Center of Excellence at 1.877.DIM.LED8 or [leds@lutron.com](mailto:leds@lutron.com)



DRY LOCATIONS ONLY.

Lutron, Lutron, IVALO, IVALO Lighting (registered in the U.S. only), Hi-lume, EcoSystem, and Rotare are registered trademarks and Lutron Ivalo Collection and Soft-on, Fade-to-Black are trademarks of Lutron Electronics Co., Inc.

©2012-2016 Lutron Electronics Co., Inc.

Lutron Electronics Co., Inc.  
7200 Suter Road, Coopersburg, PA 18036  
Telephone 610.282.7472 Fax 610.282.7600  
[fixtures@lutron.com](mailto:fixtures@lutron.com)

For warranty details, see  
[www.lutron.com/TechnicalDocumentLibrary/3683454.pdf](http://www.lutron.com/TechnicalDocumentLibrary/3683454.pdf)

Specification subject to change without notice