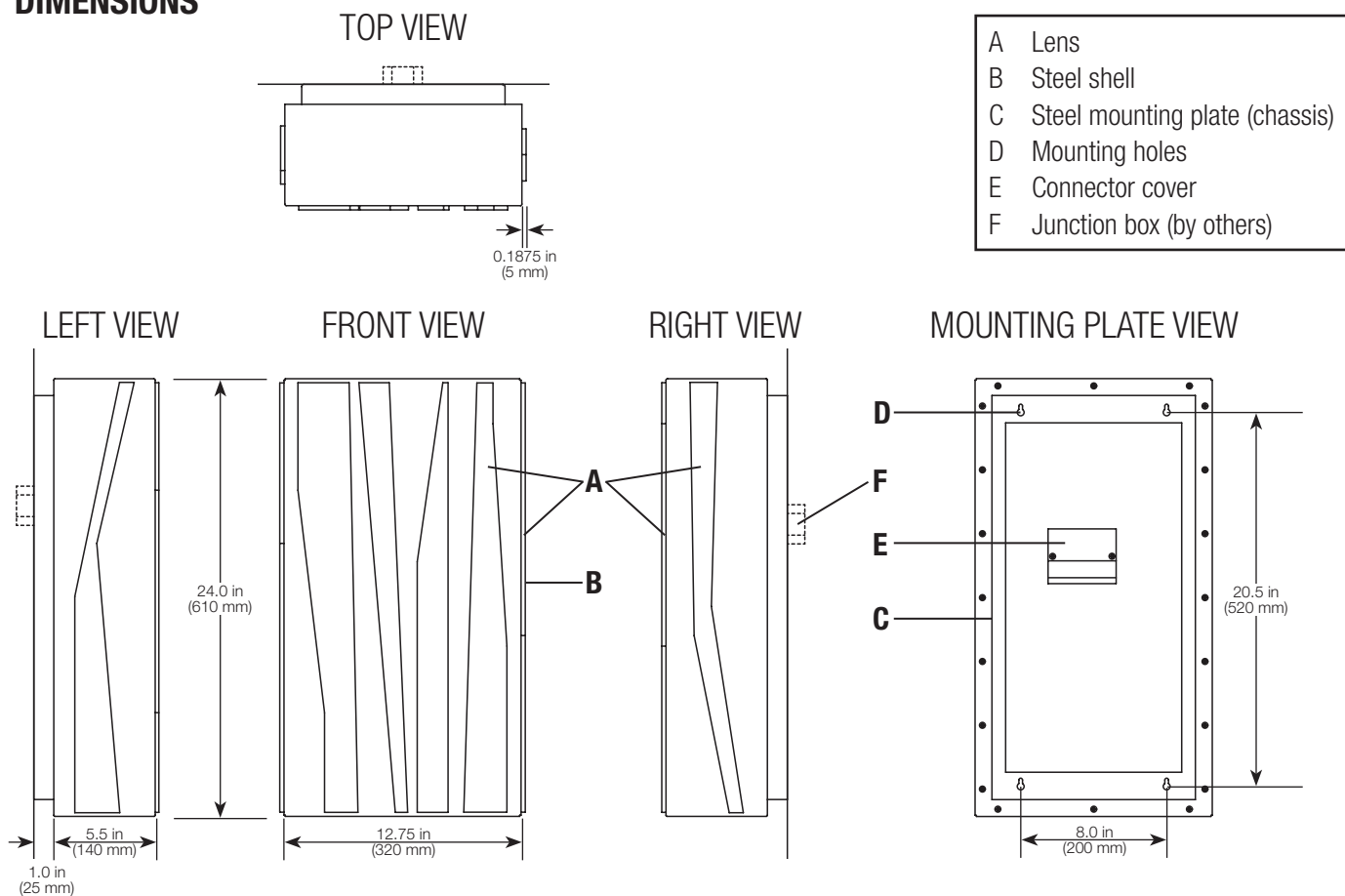


DIMENSIONS



APPLICATIONS

An indirect/direct luminaire that can be mounted vertically or horizontally in applications that require a 2 ft, 4 ft, or 6 ft wall-mounted decorative sconce. Common applications include: areas next to elevators, on columns, between windows, and in reception areas.

PRINCIPAL FEATURES

Fixture Shell: Constructed using fabricated steel.

Lens: Translucent acrylic.

Lamp: DMX controllable White or RGB LEDs.

Controls: DMX control of individual LEDs (WL, RG lamp codes only). Non-dimming (WL, RL, GL, BL, AL lamp codes only) 120 V~ and 277 V~.

Requires a Color Kinetics iPlayer 3 for pulse and/or color changing operation (Model#: IPLAYER-S).

Mounting: Steel wall mounting system with mounting plate. For wall mounting only.

Junction Box: 4 in (102 mm) octagonal or round recessed junction box (supplied by others).

Weight: 30 lb (13.64 kg)

Technical documents available at www.lutron.com/ivalo

ORDERING GUIDE

Included in standard fixture: Mounting system, lamp fixture shell with lens and driver.

BASE UNIT CONFIGURATION GUIDE

Select appropriate code in each column to complete model number.

Example:

S	N	D	24	L	WL	2	W	P	U	PS	
FAMILY	TYPE	ORIENTATION	LENGTH	LAMP	LED COLOR	VOLTAGE	MOUNTING	CONTROL	REGION	SHELL COLOR	
S Silvus	N Interior Sconce	D Direct/Indirect	24 24 in (610 mm)	L LED String	RL Red 20 W	2 120 V~	W Wall Mount	P Pulse*†	U UL - North America	PS ● Silver	PM ● Metallic Silver
			48 48 in (1230 mm)		GL Green 20 W	4 240 V~				N Non-Dim	I International
	72 72 in (1870 mm)		BL Blue 20 W		7 277 V~				GT ○○ Gloss Titanium	MT ○○ Matte Titanium	
			AL Amber 20 W						GG ○○ Gloss Graphite	MG ○○ Matte Graphite	
			WL Warm White 10 W						GC ○ Gloss Copper	MC ○ Matte Copper	
			RG RGB* 12 W						GF ○ Gloss Flame	MF ○ Matte Flame	
										GP ○ Gloss Pearl White	MP ○ Matte Pearl White
										GL ○ Gloss Lapis	ML ○ Matte Lapis
										GE ○ Gloss Ebony	ME ○ Matte Ebony
										GA ○ Gloss Arctic White	MA ○ Matte Arctic White
										PB Bronze	

KEY:

- * = Requires Color Kinetics iPlayer 3 (see below)
- = Standard color options (others are special order)
- = Interior only
- † = Available in Warm White (WL) and RGB (RG) LED colors.

- Custom control options, colors and hanging options are available. Contact fixtures customer service at fixtures@lutron.com
- For applications in harsh environments (e.g., near oceans or salt water) contact fixtures customer service at fixtures@lutron.com
- Automotive paint is not available for exterior fixtures.
- Not for use in Quebec.

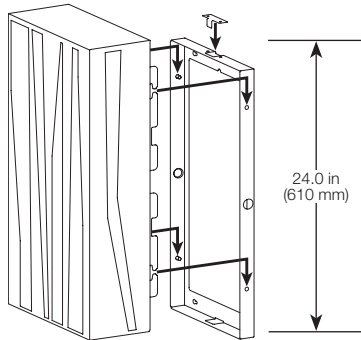
* PULSE CONTROL LED OPTIONS

Warm White (WL) or RGB (RG) "LED Color" options with the selection of the Pulse (P) "Control" option require the purchase of a separate DMX controller capable of color control of up to 60 RGB devices. All fixtures with a pulse option support pass through wiring so a single controller will allow all fixtures to run the same program. The part numbers below are for a controller that is pre-programmed with a gentle pulsing program. The Warm White (WL) "LED Color" option contains a single program for white LEDs while the RGB (RG) "LED Color" option contains several popular solid color pulsing programs and a slow pulsing color fade program. Color Kinetics iPlayer 3 software is provided with each controller for easy creation of custom colors or effects.

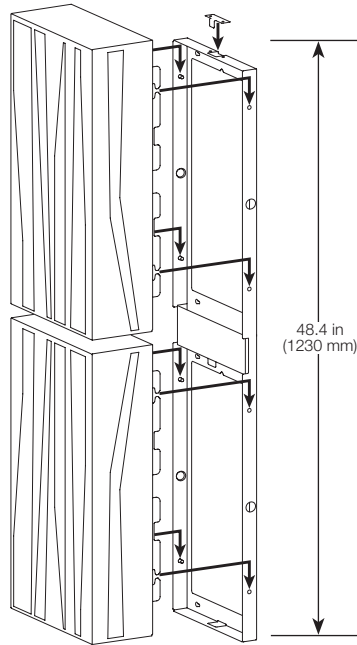
Controller	Part Number	LED Type	Programs
Color Kinetics iPlayer 3	IPLAYER - S	RGB (RG)	Pulse Color Fade Pulse Green Pulse Blue Pulse Magenta Pulse Amber
		Warm White (WL)	Pulse White

MOUNTING

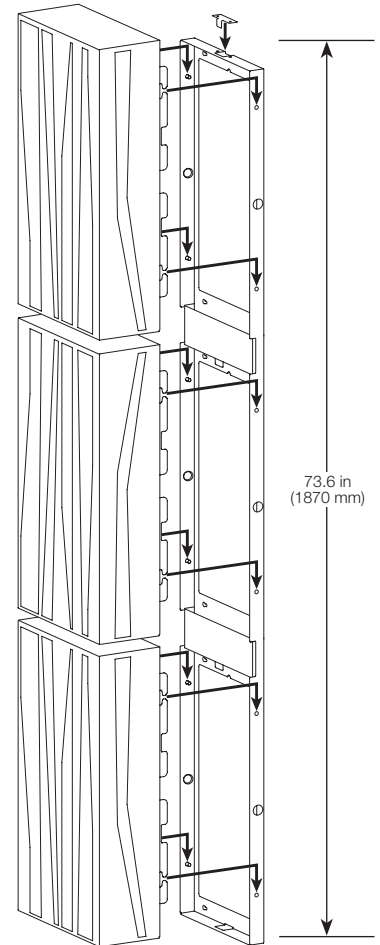
SILVUS® 24



SILVUS® 48



SILVUS® 72



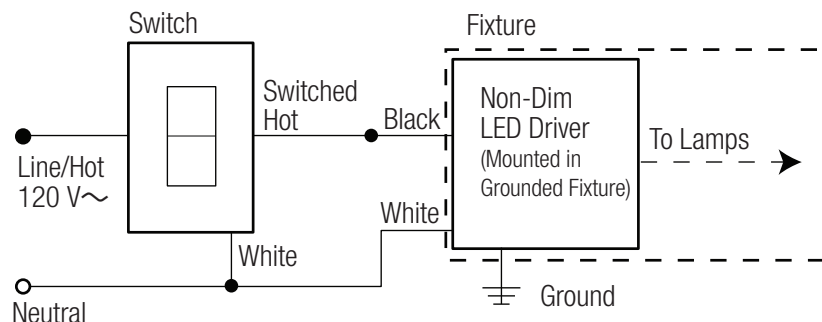
Fixtures are ADA compliant when bottom edge is at or below 27 in (686 mm) from floor.

LED CONFIGURATIONS

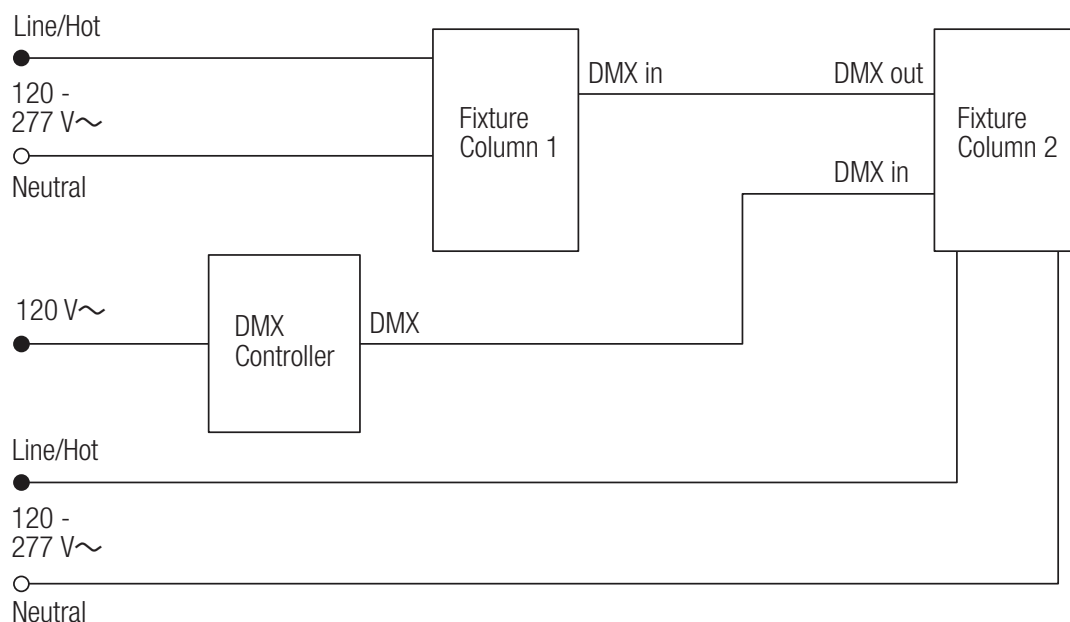
LED Type	Control Options
Red (RL)	None
Green (GL)	
Blue (BL)	
Amber (AL)	
Warm White (WL)	
Warm White (WL)	Pulse (requires a Color Kinetics iPlayer 3)
RGB (RG)	

CIRCUIT DIAGRAMS

SWITCHING



PULSE



Lutron, Lutron, EcoSystem, IVALO, and IVALO Lighting, and Silvus are trademarks of Lutron Electronics Co., Inc., registered in the U.S. and other countries. Lutron Ivalo Collection is a trademark of Lutron Electronics Co., Inc.

©2013-2018 Lutron Electronics Co., Inc.

Lutron Electronics Co., Inc.
 7200 Suter Road, Coopersburg, PA 18036
 Telephone 610.282.7472 Fax 610.282.7600
fixtures@lutron.com

For limited 10-year warranty details, see
www.lutron.com/TechnicalDocumentLibrary/3683454.pdf

Specification subject to change without notice